



GAS COOKERS

INSTRUCTION FOR INSTALLATION AND USE
DIE GEBRAUCHS UND INSTALLATIONSANWEISUNG
NOTICE D'INSTALLATION ET D'EMPLOI
INSTRUCTIE VOOR INSTALLATIE EN GEBRUIK
NÁVOD K OBSLUZE A INSTALACI
INSTRUKCJE MONTAŻU I OBSŁUGI
UPUTSTVO ZA INSTALACIJU I UPOTREBU
GHID DE INSTALARE SI UTILIZARE



SPB 70/04 G, SPB 70/08 G, SPB 70/012 G, SPB 70/40 G, SPB 70/80 G, SPB 70/120 G



www.rmgastro.com





CONTENT

Declaration of a standards conformity	3
Instruction for use	11
Cleaning and maintenance	12

INHALT



Die Normenübereinstimmungsdeklaration	13
Gebrauchsanweisung	21
Die Reinigung und Instandhaltung	22

CONTENU



Déclaration de conformité	23
Mode d'emploi	31
Nettoyage et entretien	32

INHOUD



De verklaring van overeenstemming met de normen	33
Gebruiksaanwijzing	41
Reiniging en onderhoud	42

OBSAH



Prohlášení o souladu s normami	46
Návod k použití	55
Čistění a údržba	56

TREŚĆ



Oświadczenie o zgodności z normami	57
Instrukcja obsługi	64
Czyszczenie i konserwacja	65

SADRŽAJ



Izjava o saglasnosti Sa normama	70
Uputstvo za upotrebu	80
Čišćenje i održavanje	81

CONȚINUT



Declarație de conformitate cu regulile	86
Ghid de utilizare	93
Curățare și mentenanță	94

DECLARATION OF A STANDARDS CONFORMITY

The producer confirms that the devices agree with 2016/426/EU, 2014/35/EU, 2014/30/EU standards, rule nr. 22/1997 sb., 258/2000 sb, 38/2001 sb, 118/2016 sb., 117/2016 sb. and with relevant government orders. Instalation must be done with respect to valid standards. Attention, the producer refuses any responsibility in case of direct or indirect damages which are caused due to wrong instalation, incorrect intervention or modification, insufficient maintenance, incorrect use and also possibly caused by other reasons presented by items in sale conditions. This appliance is set only for skilled use and must be operated by qualified persons only. Parts set and secured by the producer or accredited person must not be rebuilt by user.

TECHNICAL DATA

Label with technical data is placed on the back side of the device. Study the electrical diagram of connection and all following information before instalation.

Type of product	Burner performance	Power (kW)	Dimmensions (mm)
SPB - 70/04 G	(1x 6kW) + (1x 3,5)	9,5	400 x 720 x 330
SPB - 70/08 G	(3x 6kW) + (1x 3,5)	21,5	800 x 720 x 330
SPB - 70/012 G	(4x 6kW) + (2x 3,5)	31	1200 x 720 x 330
SPB - 70/40 G	(1x 6kW) + (1x 3,5)	9,5	400 x 720 x 908
SPB - 70/80 G	(3x 6kW) + (1x 3,5)	21,5	800 x 720 x 908
SPB - 70/120 G	(4x 6kW) + (2x 3,5)	31	1200 x 720 x 908

PACKING AND DEVICE CHECK

The device leaves our stocks properly packed with appropriate symbols and labels. There are also appropriate instructions for use. In case the packing shows bad handling or damage, it must be reclaimed at transporter immediately by writing and signing of a damage protocol.

Important notice:

-This product is only intended for use inside.

Never use the appliance if it has a damaged supply cable or plug, if it is not working correctly, has fallen to the ground and been damaged or fallen into water. In such cases take the appliance to a professional service in order to verify that it is safe and works correctly.

- only for professional use
- this instructing guide must be read properly and carefully because it contains important information about safety elements, installation, use
- these recommendations refer to this product
- this product corresponds with valid standards
- this guide must be properly deposited for future use
- keep the children away from manipulation with the product
- when selling or moving the product to another place it is necessary to make yourself sure that the staff or the professional service has got acquainted with control and installation instructions from enclosed guide
- only authorised person can operate the product
- it can not be switched on without supervision
- we recommend to have the product checked by professional service min. once a year
- only original spare parts can be used for repairs
- the product can not be cleaned by the water jet or pressure shower
- by damage or break down disconnect all the feeders (water, gas, electricity) and call professional service
- producer refuses any responsibility in case of damages caused by wrong installation, by disobeying of above mentioned recommendations or by other use etc.

PLACEMENT

The device must be installed in well ventilated room what is necessary for regulation of the function of the device (technician must go by valid standard (EN....)). If the device is situated close to the wall or if it is in contact with the furniture walls, these walls must resist the temperatures ranging to 90°C. Installation, setting, putting into operation must be done by qualified person who is competent for this and according to the valid standards.

Wrap up the device and check whether it was not damaged during transport. Settle the device on horizontal surface (max imbalance 2°). Settle the device under the fumehood to eliminate water steam and bad smell. The device can be installed separately or in a set with devices of our production. Min. distance 10 cm from other subjects must be kept. It is also necessary to prevent our product from contact with combustible materials. In this case you must make corresponding changes to secure heat isolation of combustible parts. Safety measures from the standpoint of the fire protection according to EN 061008čl. 21:

TECHNICAL INSTRUCTIONS FOR INSTALATION AND REGULATION

Important:

The manufacturer does not provide warranty for defects caused by improper use, failure to instructions contained in the attached instructions for use and mistreatment of the appliances.

Installation, adjustment and repair of appliances for kitchens, as well as their removal because of possible damage to the gas can be carried out only under a maintenance contract, this contract may be signed with an authorized dealer, and must be complied with regulations and technical standards and regulations regarding the installation, power supply, gas connection and health & safety system.

These instructions are intended for the qualified technician who must perform the installation, put it into operation and test the appliance.

Any activity as settings, placement, rebalancing etc, must be made only when is device disconnected from electricity. If it is necessary to have the device connected to the electricity you must keep the highest attention to avoid any injuries.

DEVICE INSTALATION

Instalation, setting, rebuilding for another gas type, putting into operation must be done by qualifi ed person whois competent for this and according to the valid standards. The device can be instalated in good ventilated room. When it is possible place the device under the fumehood to suck off the products of combustion. Air needy to the burning is 2m³/h/kW ot the performance of the instaled device. The device can be instalated separately or in a set with devices of our production. Min. distance 10 cm from other subjects must be kept.It is also necessary to prevent our product from contact with combustible materials. In this case you must make corresponding changes to secure heat izolation of combustible parts (for example:place between the device and combustible material azbestos plate).

PIPE FOR GAS CONNECTION

It must first determine if the appliance is made for the same type of gas that will be used and thus conforms to the indications on the label the type of gas to be used.

The conversion of gas pan to another type of gas you need to check if it corresponds to the type of gas bearing, which is recommended in this guide.

Connecting the appliance to the gas distribution must be towable to a steel or copper tube complying with applicable national requirements. This must be controlled on regular basis and changed if needed. Every appliance must be equipped with shut-off valve and quick shut-off valve. Quick shut-off valve must be freely accessible and within reach of the device. After installation, is necessary to check whether there is a gas leak. To find a gas leak you can use soapy water or spray for gas leak detection.

Do not use corrosive substances!! All our appliances are carefully controlled. Gas type, pressure and of the categories listed named on the technical information plate.

Liquid gas connection:

Pressure for liquid gas connection must be 28 or 30 mbar for propane/butane and 37 mbar for propane. It is necessary to check the technical label ,gauge the pressure and check the parameters of the nozzle is installed with the required parameters of the nozzle according to the manufacturer's. If the pressure is lower than 25mbar or higher than 37 mbar, THE APPLIANCE SHALL NOT TO BE CONNECTED.

Gas Connection:

Pressure for methane connection must be 18 or 20 mbar. It is necessary to check the technical label ,gauge the pressure and check the parameters of the nozzle is installed with the required parameters of the nozzle according to the manufacturer's. If the gas pressure is lower than 15mbar or higher than 22,5 mbar, THE APPLIANCE SHALL NOT TO BE CONNECTED.

SAFETY MEASURES FROM THE STANDPOINT OF THE FIRE PROTECTION ACCORDING TO EN 061008 ČL. 21

- only adults can operate the device
- device must be safely used in common surroundings according to EN 332000-4-462; EN 332000-4-42. You must switch the gas device off under the circumstances leading: to the danger of the temporary rise of the combustion gas or steam or during works when there is a big possibility of rise of the temporary fire danger or explosion (for example: to stick linoleum, PVC etc.).
- before you start to instal the device you must get the licence for connection to the gas feeder from the gasworks
- device must be placed so as to stand or hang on the noncombustible surface which is on each side 10 cm larger than the device. No subjects from combustible materials can be placed directly on the device or in distance which is shorter than safety distance (the shortest distance is 50 cm in the direction of the heat emission and 10 cm in other directions).- safety distances from various materials of different degree of combustion and information about the degree of comb. of common building materials - see chart:

Chart:

Combustion degree of building materials classified according to the combustion degree of materials and products (EN 730823)

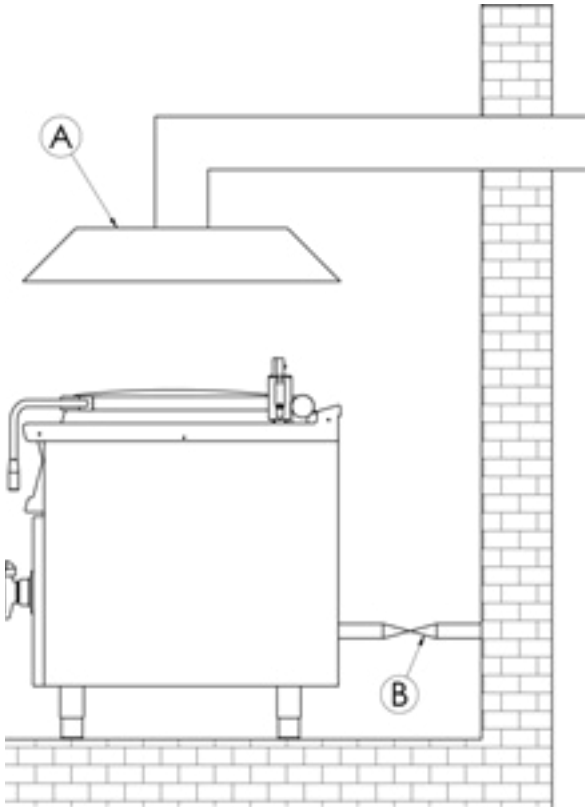
A noncombustible	granit, sandstone, concretes,bricks, ceramic wallfacing tiles, plaster
B uneasily combustible	akumine, heraklite, lihnos, itavere
C1 hardly combustible	leafy wood, plywood, sirkoklit, rare paper formica
C2 middle combustible	fibreboards, solodure, cork boards, rubber,floor-coverings
C3 easily combustible	wood-fibreboards, polystyrene,polyurethane, PVC

Devices must be instalated in a safe way. When instaling you must respect corresponding project, safety and hygienic orders according to:

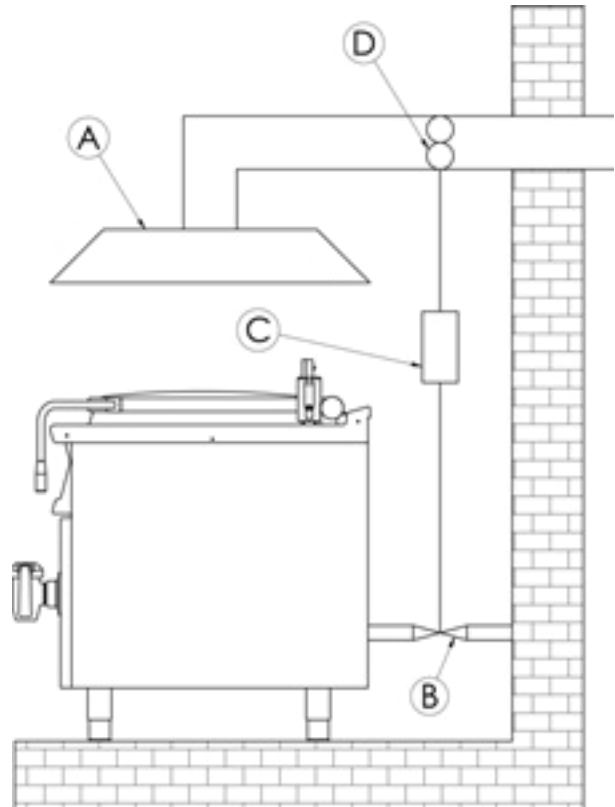
- EN 061008 fire protection of local devices and sources of heat
- EN 332000 (33 2000-4-482; 33 2000-4-42) surrounding for electric devices ČSN EN 1775 Gas supplying
- Gas fi ttings in the buildings - the highest operational pressure < 5 bar - operation demands
- § 10 law nr. 185/2001 Sb. about waste

CHIMNEY DESIGN FOR AN APPLIANCE –TYPE A

NATURAL EXTRACTION



FORCED EXTRACTION



Outlet hood with natural extraction (A). Flue gas provides a natural chimney draft.

Outlet hood without natural extraction. Flue gas is secured by a fan (D) (forced extraction). In this case, it is necessary to secure the connection with a gas feeder (B) to turn off the gas supply in case of failure.

CHECK THE GAS TYPE THE DEVICE IS ADJUSTED FOR

Our appliances are certified and regulated the natural gas (see technical plate). Conversion or adaptation to a different type of gas must be performed by authorized personnel. Nozzles for different types of gas are in a bag provided with the gas cooker and are marked in hundredths of mm (table of technical data pipes).

Nozzle replacement and pressure adjustment

Proceed as follows when replacing the main burner nozzle:

- 1) remove the control buttons from the front panel (fig.1, note 1)
- 2) disassemble the front panel (fig.1, note 2)
- 3) we recommend you also disassemble the rear panel (if possible) for easier access (fig.1, note 3)
- 4) Adjust the air intake for the relevant gas according to table „TECHNICAL DATA“

Important:

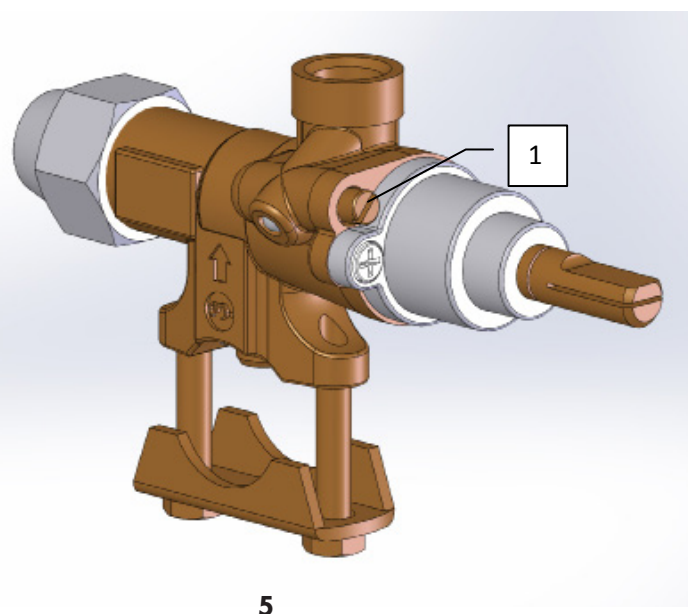
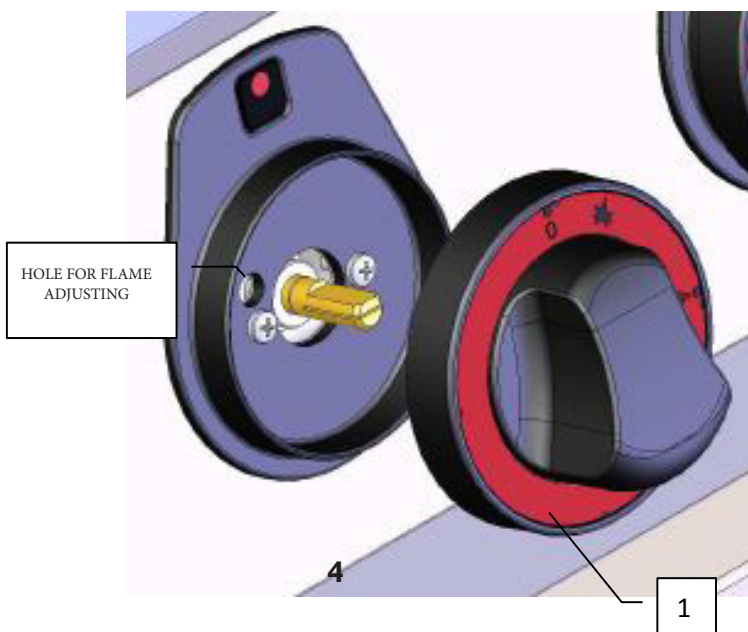
After what was done adjusting the appliance to another type of gas, it is necessary to change the gas indicated on the technical plate located in a visible location on the back of the device.

Adjusting flame at reduced performance „SAVING“

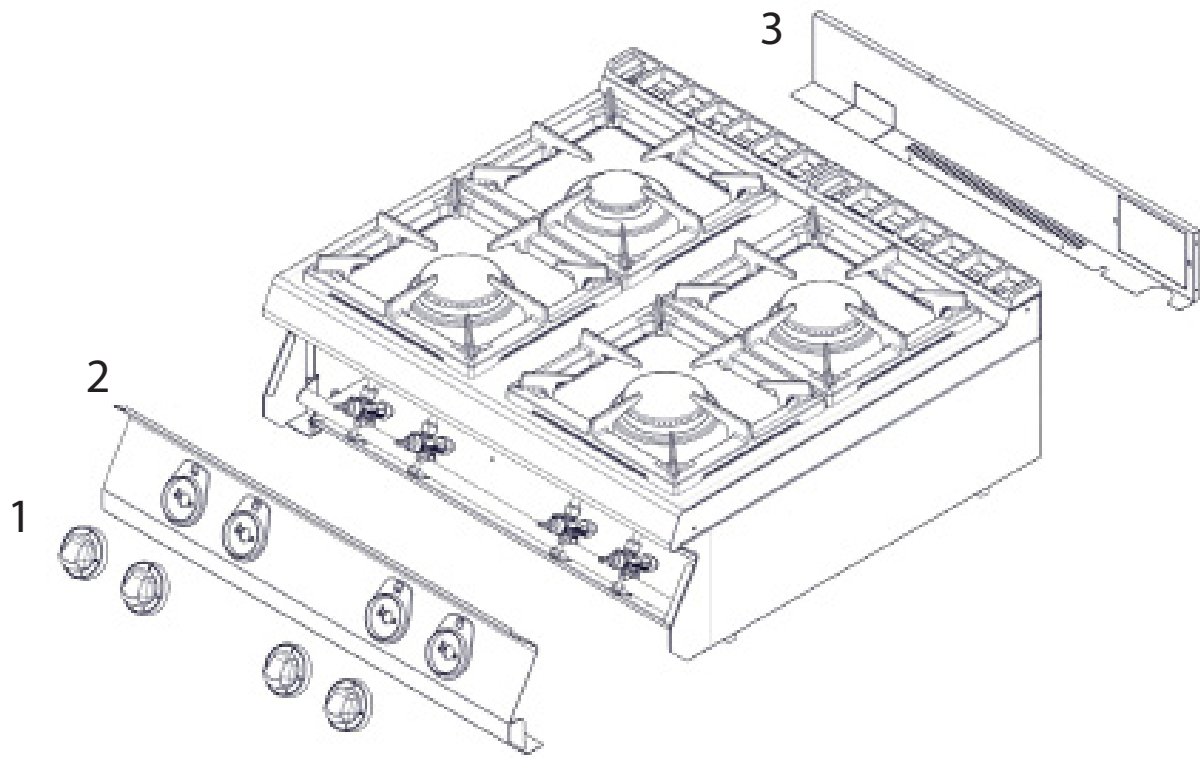
Flame at reduced performance „SAVING“, can be set with screw placed in the valve body (note. 1, fig. 5) positioned next to valve shaft

For adjusting proceed as follows:

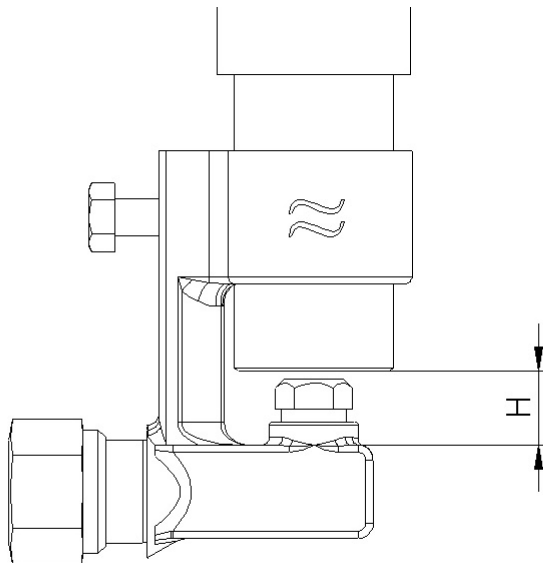
- Remove the control knob (note. 1, fig. 4) pulling towards you
- Adjust the flame through hole with flat screwdriver

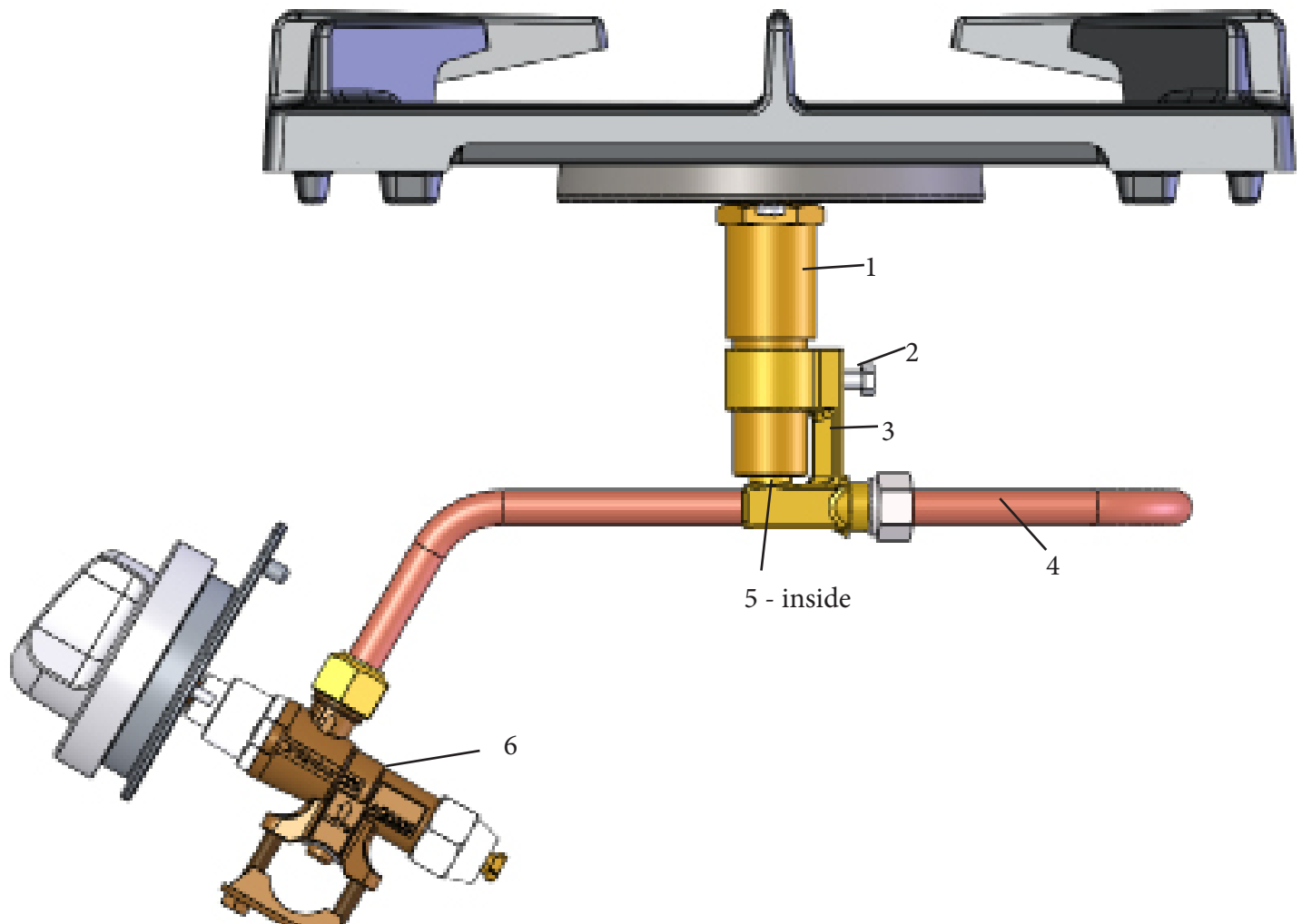


obr. 1



obr. 4





Item list:

- 1- Burner pipe
- 2- M5x16 IMBUS brand screw
- 3- Nozzle bracket
- 4- Supply pipe - copper
- 5- Burner nozzle
- 6- Gas cock

Procedure for replacing the nozzle:

- 1) Loosen the M5x16 IMBUS brand screw (position 2)
- 2) Move the nozzle bracket (position 3) downwards
- 3) Use the spanner to unscrew the nozzle (position 5) and replace it with the required size
- 4) Move the nozzle bracket upwards to distance H
- 5) Tighten the M5x16 IMBUS brand screw

Distance H is the nominal dimension in mm between the nozzle bracket and the burner pipe (position 1). Values are verified by the test institute

INSTRUCTIONS FOR USE

ignition of the burner and regulation of the performance :

Turn the regulation knob of the competent burner (A) into position „ignition of the main burner“ and then press it down and hold it. Ignite the burner with lighter or matches. After ignition of the burner hold the knob (A) pressed several seconds till the thermofuse gets hot. Then release the button. If the flame goes out repeat the whole process once more.

Lower performance sporo:

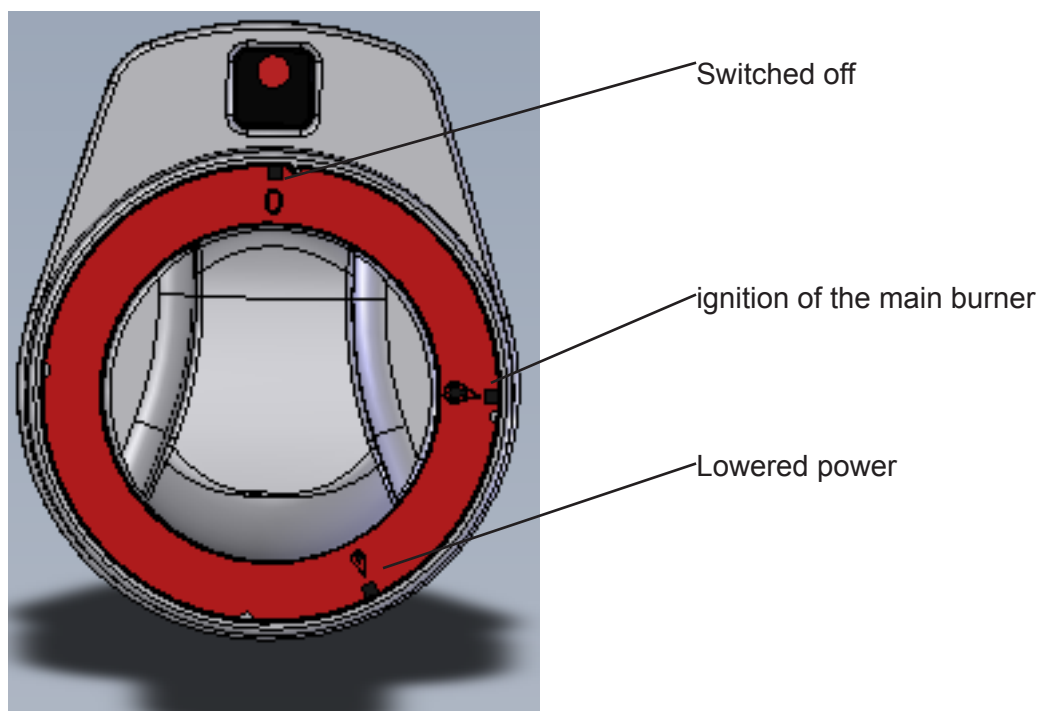
By turning the knob (A) into position „sporo“ you set the burning of the burner for sporo (lower performance)

How to switch the burner off:

Turn the knob (A) into position“0“.

Instructions for sucking off the gas products of combustion:

Type A devices (see the label with characteristics). Appliance of finish A, that is the appliance which is not made for being connected with the chimney or other device for sucking off the products of combustion out of the space where the appliance is situated. These appliances must be situated in the room with sufficient ventilation according to the ČSN 12 7010:1986 and ČSN 1207040:1986. It is necessary to prevent the accumulation of the harmful matters in big concentration (secure the requestment of hygienic standard for working surrounding sv. 39/78 guideline 46).



CLEANING AND MAINTENANCE

It is recommended to have the device checked by the professional service min. once a year. All interventions must be done by qualified person who is competent for this.

ATTENTION!

The device cannot be cleaned by direct or pressure water. Clean it daily. Daily maintenance keeps longer useful life and efficiency of the device. Before cleaning make sure to have disconnected the device from electricity. Always switch off the main feeder to the device. Stain-less parts wash with moist cleaning cloth and detergent without groove parts than wash it with clean water and dry it by the cloth. Do not use abrasive and corrosive detergents.

WHAT TO DO IN CASE OF BREAK-DOWN

Switch off the electric feeder and call seller's professional service.

INDICATION:

Guarantee does not cover all consumption parts succumable to common wear (rubber seals, bulbs, glas and plastic parts etc.). The guarantee does not refer to the devices which were not instaled in correspondance with instructions - by qualified worker, in confirmity with standards and when somebody handled incompetently the device (interventions into inner equipment) or the device was operated by nonqualified staff or at variance with instructions for use. Guarantee does not also cover the damages caused due to influence of nature or other outer intervention.

DIE NORMENÜBEREINSTIMMUNGSDEKLARATION

Der Produzent erklärt, daß die Geräte in einer Übereinstimmung mit den Vorschriften der 2016/426/EU, 2014/35/EU, 2014/30/EU dem Gesetz Nr. 22/1997 sb., nr. 258/2000 sb., nr. 38/2001 sb. der Sammlung und zugehörigen Regierungsverordnungen stehen. Die Installation muss mit der Absicht auf geltende Normen durchgeführt werden. Vorsicht, im Falle einer direkten oder indirekten Beschädigung, die sich auf falsche Installation, unrichtigen Eingriff oder Anpassungen, ungenügende Instandhaltung, unrichtige Verwendung beziehen, und welche eventuell durch andere Ursachen, als in Punkten der Verkaufsbedingungen angeführt ist, so verzichtet der Importeur auf jegliche Verantwortung. Dieses Gerät ist nur für fachliche Verwendung bestimmt und muß durch qualifizierte Person bedient werden. Teile, die nach der Einstellung durch den Hersteller oder durch befugte Person gesichert wurden, dürfen vom Benutzer keineswegs umgestellt werden.

DIE TECHNISCHEN DATEN

Das Schild mit technischen Angaben ist auf der Rückseite des Gerätes angebracht. Studieren sie vor der Installation das elektrische Schema der Einschließung und alle folgende Informationen durch.

Art des Produkts	Performance-Brenner	Leistung (kW)	Dimension (mm)
SPB - 70/04 G	(1x 6kW) + (1x 3,5)	9,5	400 x 720 x 330
SPB - 70/08 G	(3x 6kW) + (1x 3,5)	21,5	800 x 720 x 330
SPB - 70/012 G	(4x 6kW) + (2x 3,5)	31	1200 x 720 x 330
SPB - 70/40 G	(1x 6kW) + (1x 3,5)	9,5	400 x 720 x 908
SPB - 70/80 G	(3x 6kW) + (1x 3,5)	21,5	800 x 720 x 908
SPB - 70/120 G	(4x 6kW) + (2x 3,5)	31	1200 x 720 x 908

DIE VERPACKUNGS-, UND VORRICHTUNGSKONTROLLE

Die Vorrichtung verlässt unsere Lager in ordentlicher Verpackung, auf deren die entsprechenden Symbole und Bezeichnungen stehen. In der Verpackung befindet sich entsprechende Bedienungsanweisung. Falls die Verpackung eine schlechte Behandlung oder Anzeichen der Beschädigungen vorweist, muß dieses sofort beim Transporteur reklamiert werden und zwar durch Unterzeichnung eines Schadensprotokolles.

Wichtige Hinweise

-Das Erzeugnis ist nur zur Verwendung im Innenraum bestimmt.

Verwenden Sie den Verbraucher nie, wenn die Speisezuleitung oder der Stecker beschädigt sind, das Gerät nicht richtig arbeitet, ist auf den Boden gefallen und hat sich beschädigt oder ist ins Wasser gefallen. Bringen Sie in solchen Fällen den Verbraucher zu einem Fach-Kundendienst zur Überprüfung seiner Sicherheit und richtiger Funktion.

- Nur für professionellen Verbrauch geeignet
- Diese Bedienungsanleitung muss ordentlich und bedächtig gelesen werden, weil sie wichtige Informationen über Sicherheitsmerkmale, Installation und Anwendung beinhaltet
- Diese Empfehlungen beziehen auf diesen Produkt
- Der Produkt entspricht geltenden Normen
- Diese Anleitung muß ordentlich für die zukünftige Verwendung hinterlegt werden
- Hindern Sie den Kinder an Vorrichtungsm Manipulation
- Beim Verkauf oder Verlegung ist es notwendig sich zu überzeugen, daß die Bedienstperson oder Fachservis sich mit der Beherrschung und Installationsanweisung in beiliegender Anleitung, anvertraut gemacht haben.
- Das Produkt darf nur eingeschulte Bedienung bedienen
- Das Produkt darf nicht ohne Aufsicht ins Betrieb gesetzt sein
- Es ist empfohlen, minimal einmal pro Jahr eine Fachkontrolle durchführen zu lassen
- Bei eventueller Reparatur der Teilenumtauschungen müssen ausschließlich Originalteile angewendet werden
- Das Produkt darf nicht durch einen Wasserstrahl oder Druckbrause gereinigt werden
- Schalten Sie alle Leitungen (Wasser, Elektrizität, Gas) bei einer Störung oder beim schlechten Lauf aus und rufen Sie autorisierten Service an
- Der Hersteller verzichtet auf jegliche Verantwortung bei Störungen, die durch fehlerhafte Installation, Nichteinhaltung o.a. Empfehlungen, andere Verwendung u.ä, verursacht wurden

DIE PLATZIERUNG

Es ist unbedingt notwendig, zu der Regulation der Gerätetätigkeit, daß das Milieu - der Küche -, wo das Gerät installiert wird, sehr gut belüftbar ist (im Hinblick darauf: sei der Techniker sich mit geltenden Normen (EN) richtet). Wenn die Einrichtung so plaziert wird, daß sie im Mobiliarwandkontakt stehen wird, so müssen diese einer Temperatur von 90°C widerstehen. Die Installation, Herrichtung, Inbetriebnahme müssen durch qualifizierte Person, die zu solchen Vorkehrungen eine Befugnis hat und dies laut geltenden Normen nach, durchgeführt werden.

Packen Sie das Gerät aus und kontrollieren Sie , ob sich das Gerät während des Transportes nicht beschädigt hat. Platzieren Sie das Gerät auf eine waagrechte Fläche (maximale Unebenheit bis 2°). Stellen Sie das Gerät unter den Haubenabzug, damit Sie die Wasserdämpfe und den Geruch eliminieren. Das Gerät kann selbständig oder in einer Reihe mit Geräten unserer Herrstellung installiert werden. Es ist notwendig die minimale Entfernung von 10 cm zu anderen Gegenständen einzuhalten, so dass die Wärmeisollierung der brennbaren Teilen gewährleistet wird.

Das Gerät kann selbständig oder in einer Reihe mit Geräten unserer Herrstellung installiert werden. Es ist notwendig die minimale Entfernung von 10 cm zu anderen Gegenständen einzuhalten, so dass die Wärmeisollierung der brennbaren Teilen gewährleistet wird.

TECHNISCHE HINWEISE ZUR INSTALLATION UND REGELUNG

Wichtig:

Zur Benützung AUSSCHLIEßLICH nur für spezialisierte Techniker
Instruktionen, die folgen, wenden sich an den Techniker, der für die Installation qualifiziert ist, damit er alle Operationen mit der korrektesten Weise und laut der gültigen Normen durchführt.

Wichtig

Jeweils irgendeine Tätigkeit, die mit der Regulation verbunden ist u.ä, muß nur mit der aus dem Netz ausgezogenen und abgeschalteten Einrichtung vollgezogen sein.

Solange das Gerät unter der Spannung notwendig zu halten ist, eine höchste Vorsicht zu beachten vorliegt.

DIE SICHERHEITSVORRICHTUNGEN AUS DER SICHT DES FEUERSCHUTZES LAUT EN. 061008 ČL. 21

Die Einrichtungsbedienung dürfen nur Erwachsene ausführen

- Das Gerät darf sicher in gewöhnlicher Umgebung laut EN 332000-4-482; EN 332000-4-42 verwendet werden.
- Es ist notwendig das Gerät so platzieren, daß es auf einer unbrennbaren Grundlage steht oder hängt.
- Es dürfen, auf und in eine Entfernung, die kleineremase als sicher vom Gerät bezeichnet wird, keine Gegenstände aus brennbaren Materilien (die kleinste Entfernung vom Brennbarem ist 10 cm) aufgestellt werden.
- Die sicheren Entfernungen von Massen der einzelnen Brenngra

Tabelle:

Baumassefeuerbrenngrad ins Brenngrad (EN) der Massen und Produkte eingegliedert

A	Unbrennbar	Granit, Sandstein, beton, Ziegel, Keramikbekleidung, Putz
B	nicht einfach brennbar	Akumin, Heraklit, Lihnos, Itaver
C1	schwer brennbar	Holz, Laubbaum, Furnier Sirkoklit, Festpapier, Umakart
C2	mittel brennbar	Holzspanplatten, Solodur, Korkplatten, Hartgummi, Bodenbeläge
C3	leicht brennbar	Holzfasernplatten, Polystyren, Polyureten, PVC

Die Bedarfsartikel müssen sicher installiert werden und sind mit regulierenbaren Beinchen - zur Ausgleichen der Höhe und der Unebenheiten eingestattet.

Die Geräte müssen in einer sicheren Weise installiert werden. Bei der Installation müssen weiter betreffende Projekt-, Sicherheits-, und Hygienevorschriften respektiert werden.

- EN 06 1008 Feuerschutz der örtlichen Geräte und der Wärmquellen
- EN 33 2000 (33 2000-4-482; 33 2000-4-42) Umgebung für elektrische Geräte
- Gasversorgung -Gasleitunge in Gebäuden - Höchste Verkehrsdruck ≤ 5 BarVerkehrsansprüche,
- § 10 des Gesetzes Nr.185/2001 Sb., der Abfälle betrifft.

ROHR FÜR GASANSCHLÜSSEN

Es muss zuerst feststellen, ob das Gerät für die gleiche Art von Gas, das verwendet werden soll, wird und entspricht damit den auf dem Etikett die Art des Gases verwendet werden.

Die Umwandlung von Gas Pfanne auf eine andere Gasart müssen Sie überprüfen, ob es auf die Art der Gas-Lager, die in diesem Handbuch empfohlen wird, entspricht.

Anschließen des Gerätes an die Gasversorgung muss Anhängelast auf einer Stahl-oder Kupferrohr Beachtung der geltenden nationalen Anforderungen. Dies muss regelmäßig kontrolliert werden und bei Bedarf geändert. Jedes Gerät muss mit Absperrventil und schnelle Absperrventil ausgestattet sein. Schnell-Absperrventil muss frei zugänglich sein und innerhalb der Reichweite des Gerätes. Nach der Installation ist zu prüfen, ob es ein Gas austritt. Um ein Gasleck Sie Seifenwasser oder Spray zur Lecksuche können zu finden.

Verwenden Sie keine ätzenden Stoffen! Alle unsere Geräte werden sorgfältig kontrolliert. Gasart, Druck und der Kategorien auf der technischen Informationen Platte benannt.

Flüssiggas-Anschluss:

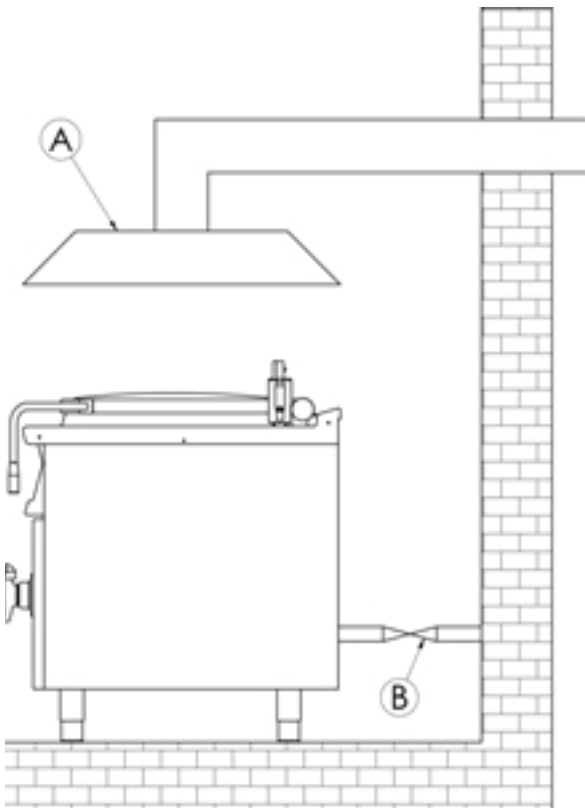
Der Druck für Flüssiggas-Verbindung muss 28 oder 30 mbar für Propan / Butan und 37 mbar für Propan sein. Es ist notwendig, um die technische Etikett überprüfen, messen den Druck und Kontrolle der Parameter der Düse wird mit den erforderlichen Parametern der Düse gemäß der Herstellerangaben installiert. Ist der Druck niedriger als 25mbar oder höher als 37 mbar, darf das Gerät nicht ANZUSCHLIESSEN.

Gas-Anschluss:

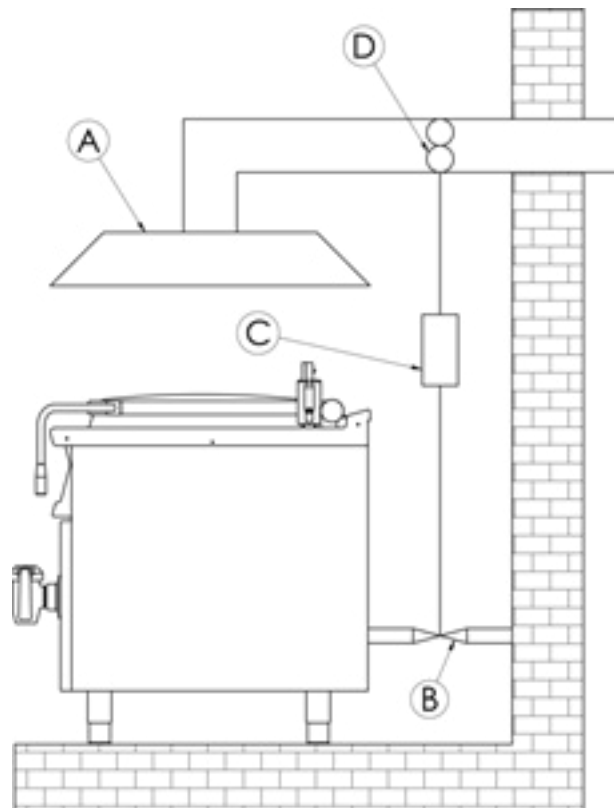
Der Druck für die Methan-Anschluss muss 18 oder 20 mbar betragen. Es ist notwendig, um die technische Etikett überprüfen, messen den Druck und Kontrolle der Parameter der Düse wird mit den erforderlichen Parametern der Düse gemäß der Herstellerangaben installiert. Wenn der Gasdruck niedriger ist als 15 mbar oder höher als 22,5 mbar, darf das Gerät nicht ANZUSCHLIESSEN.

KAMIN-DESIGN FÜR EIN GERÄT VOM TYP A

NATURAL EXTRACTION



ABSAUGANLAGE



Outlet Kapuze mit natürlichen Extraktion (A). Rauchgas sorgt für einen natürlichen Kaminzug.

Outlet Haube ohne natürliche Extraktion. Rauchgas wird durch einen Ventilator (D) (erzwungene Extraktion) gesichert. In diesem Fall ist es erforderlich, die Verbindung mit einer Gaszuführung (B), um die Gaszufuhr bei Ausfall zu sichern.

PRÜFEN der Gasart Das Gerät ist für EINGESTELLT

Unsere Geräte sind zertifiziert und reguliert das Erdgas (siehe technische Platte). Umwandlung oder Anpassung an eine andere Gasart müssen von autorisiertem Personal durchgeführt werden. Düsen für verschiedene Arten von Gas sind in einer Tüte mit dem Gasherd gestellt und sind im hundertstel mm (Tabelle der technischen Daten Rohre) markiert.

Düsenwechsel und Druckeinstellung

Beim Austausch der Düse des Hauptbrenners ist wie folgt zu verfahren:

- 1) Nehmen Sie den Bedienknopf vom vorderen Paneel ab. (Abb.1, Anm.1)
- 2) Demontieren Sie das vordere Paneel. (Abb.1, Anm.2)
- 3) Zur Erleichterung des Zugangs empfehlen wir, auch das hintere Paneel zu demontieren (sofern möglich). (Abb.1, Anm.3)
- 4) Wir stellen die Luftzufuhr für das jeweilige Gas gemäß der Tabelle „DIE TECHNISCHE DATEN“ ein.

wichtig:

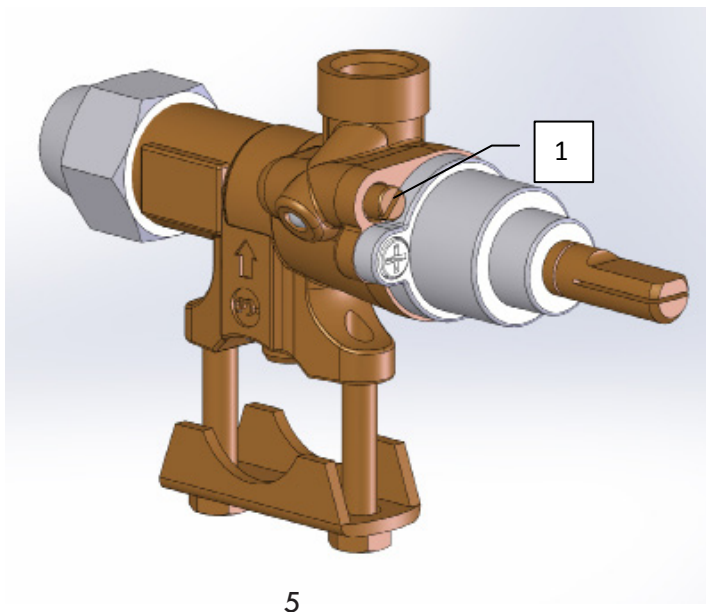
Nach dem, was getan Einstellen des Gerätes an andere Art von Gas, ist es notwendig, das Gas auf dem technischen Platte an einer sichtbaren Stelle an der Rückseite des Geräts angegeben ändern.

Anpassen der Flamme bei reduzierter Leistung „SPAREN“

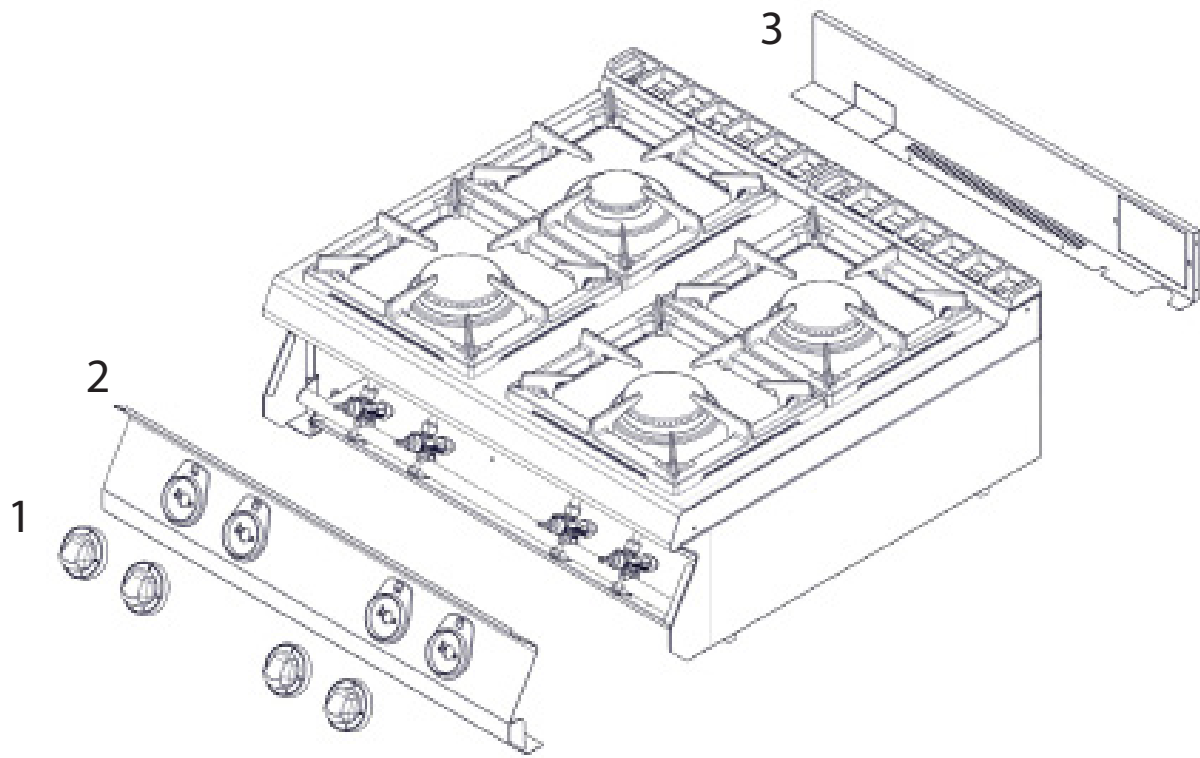
Flamme bei reduzierter Leistung „Speichern“ kann mit der Schraube in dem Ventilkörper (Anm. 1, Abb. 5). Platziert gesetzt werden positioniert neben dem Ventilschaft

Für die Einstellung wie folgt vorgehen:

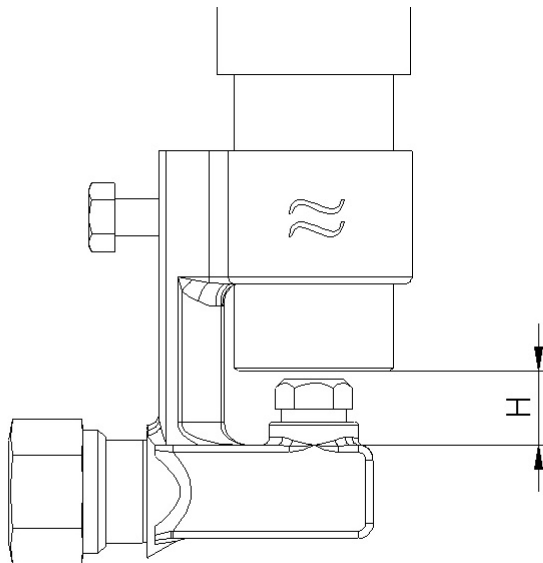
- Entfernen Sie den Drehknopf (Anm. 1, Abb. 4). Ziehen Sie in Richtung
- Stellen Sie die Flamme durch das Loch mit Schraubenzieher

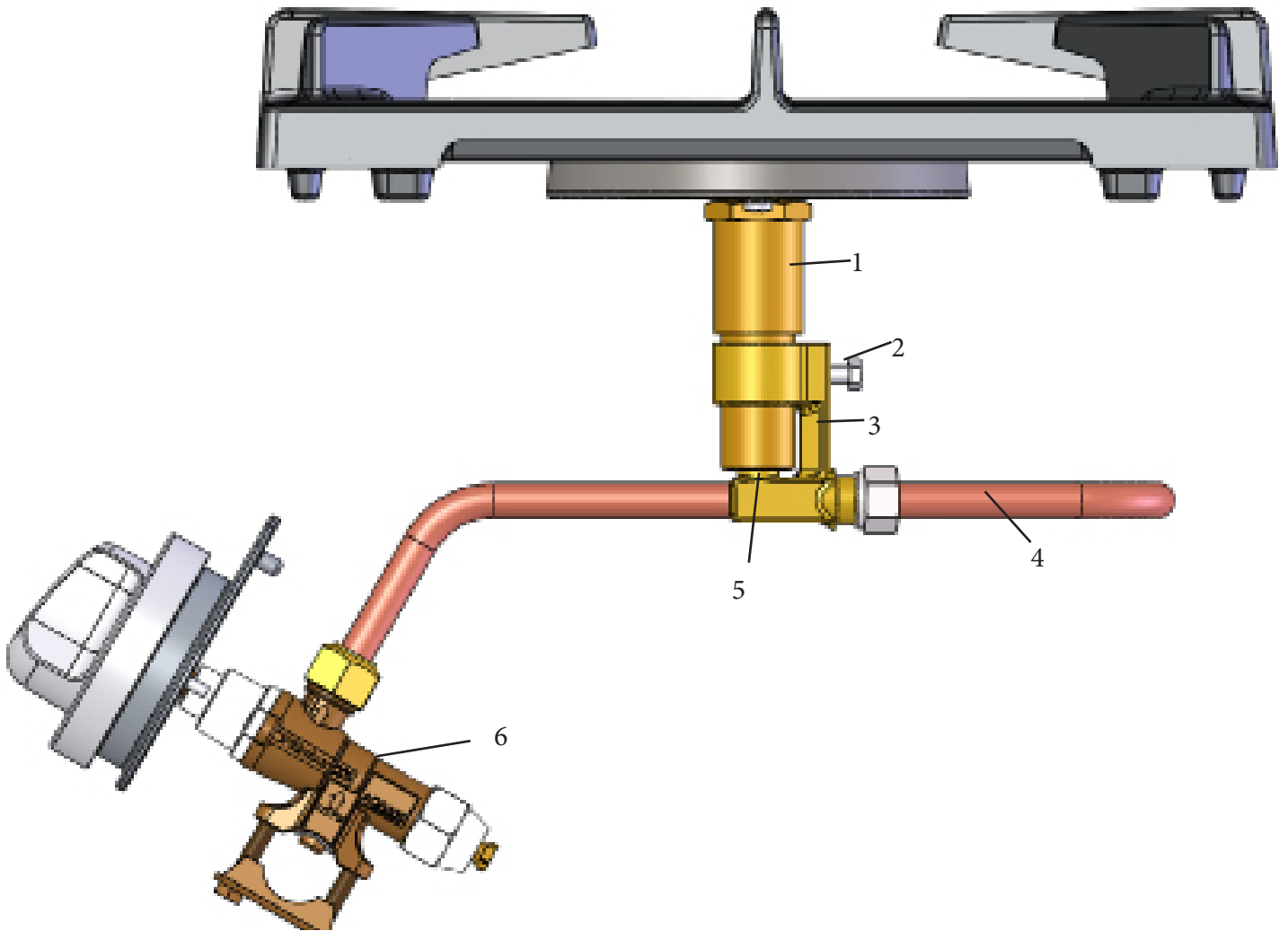


obr. 1



obr. 4





Stückliste:

- 1- Brennerrohr
- 2- Schraube M5x16 (Innensechskant)
- 3- Düsenhalter
- 4- Zuleitungsröhrchen (Kupfer)
- 5- Brennerdüse
- 6- Gashahn

Verfahrens des Düsenwechsels:

- 1) Wir lösen die Innensechskantschraube M5x16 (Position 2).
- 2) Anschließend schieben wir den Düsenhalter (Position 3) in Richtung nach unten.
- 3) Mithilfe des Schlüssels schrauben wir die Düse heraus (Position 5) und tauschen sie gegen die gewünschte Größe aus.
- 4) Den Düsenhalter schieben wir in Richtung nach oben auf die Entfernung H.
- 5) Abschließend ziehen wir die Innensechskantschraube M5x16 fest.

Der Abstand H bedeutet die Nennabmessung in mm zwischen dem Düsenhalter und dem Brennerrohr (Position 1). Die Werte sind durch das Prüfinstitut überprüft.

BEDIENUNGSANLEITUNG

Anzündung und Regulierung des Brenners ohne Dauerflamme - Bilder 1,2-Standard ausführung

Drehen Sie den Regulierungsknopf des zuständigen Brenners (A) in die Position „Anzünden des Hauptbrenners“ und dann drücken Sie den Knopf und halten Sie ihn, nun können Sie die Flamme durch ein Streichholz oder Feuerzeug entzünden. Nach dem Entzünden des Brenners halten Sie den Knopf (A) noch ein paar Sekunden, sobald die Thermosicherung erwärmt ist, können Sie den Knopf loslassen. Falls die Flamme ausgeht, wiederholen Sie den ganzen Vorgang.

Niedrigere Leistung (sporo) - Bilder

Drehen Sie den Knopf (A) in Position „sporo“. Damit stellen Sie Brennen für niedrigere Leistung (sporo).

Ausschaltung der zuständigen Brenner - Bilder

Drehen Sie den Knopf (A) in Position „0“.

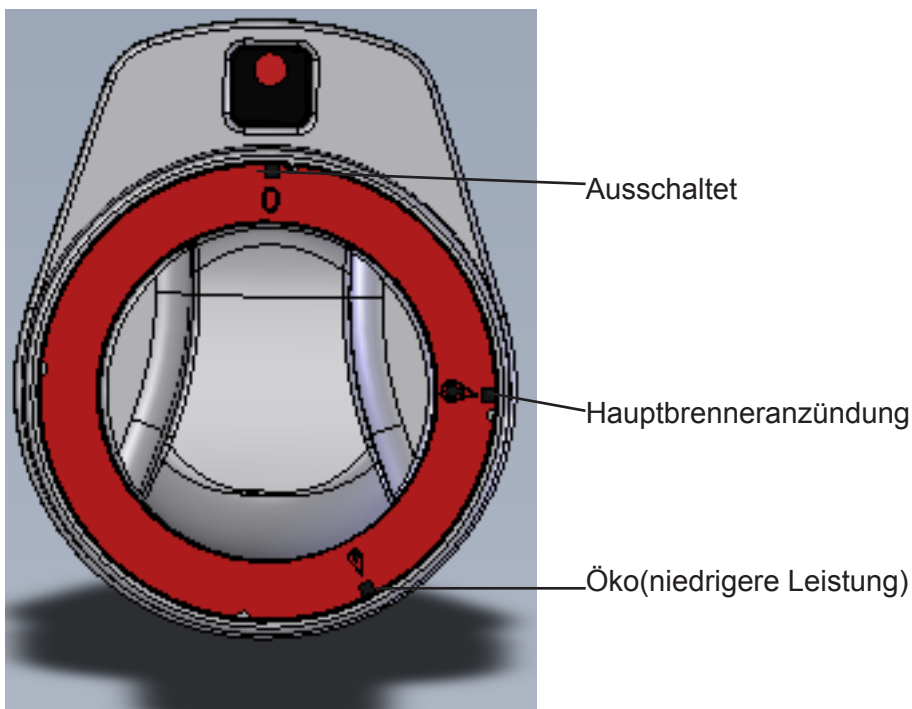
ANLEITUNG FÜR ABSAUGUNG DER ABGASE

Geräte von Typ A (siehe Schild mit Charakteristiken).

Dieses Gerät ist nicht für Verbindung mit Raucherleitung oder mit anderem Gerät für Ausleitung der Abgase bestimmt. Dieses Gerät muss nur in ventilierten Räumen installiert werden. Die Ventilation muss Normen ČSN127010:1986 und ČSN127040:1986 antworten. In diesen Räumen verhindert man Anhäufung der gesundheitschädlichen Stoffen in unzulässige Konzentration (hygienische Vorschriften auf Arbeitsmilieu Bund 39/78 Richtlinie 46).

Bemerkunge und Empfehlunge

Benützen Sie das Gerät nur unter Aufsicht.



1

DIE REINIGUNG UND INSTANDSHALTUNG

ACHTUNG! Die Einrichtung darf nicht mit Direkt-, oder Druckwasserstrahl gereinigt werden. Reinigen Sie das Gerät täglich. Die Lebensdauer und Gerätewirkung wird durch die tägliche Wartung gewährleistet. Überzeugen Sie sich, vorm Reinigungsanfang, dass Sie die Einrichtung vom Elektrostrom abgeschaltet haben. Schalten Sie immer die Gerätehauptzufuhr ab. Waschen Sie die Edelstahlteile mit feuchtem Waschlappen, der im Waschpulver getauft ist und keine grobe Teilchen aufweist. Wischen Sie alles ins Trockene ab. Verwenden Sie keine abrasive- oder korrosionsreiche Reinigungsmitteln.

WIE MAN IM FALLE EINER STÖRUNG VORANGEHEN SOLL

Schalten sie die elektrische Stromleitung ab und rufen die Serviceorganisation des Verkäufers an.

HINWEIS

Die Garantie bezieht sich nicht auf alle Verbrauchsteile, die der geläufiger Abnutzung unterstehen (gesamte Gummidichtungen, Glühlampen, alle glasernde und plastiche Teile, usw.). Die Garantie bezieht sich nicht weiterhin auf Einrichtungen, die durch befugte Person laut Anweisung und entsprechender Normen nicht installiert worden sind und wenn mit dem Gerät unfachmännisch manipuliert wurde (Eingriffe ins Innere) und auf Beschädigungen durch Natureinflüsse oder Ausseneingriffe.

DECLARATION DE CONFORMITE

Le fabricant certifie la conformite des appareils aux normes 2016/426/EU; 2014/35/EU; 2014/30/EU a la loi n° 22/1997 sb., 258/2000 sb., 38/2001 sb., 118/2016 sb., 117/2016 sb. et aux decrets applicables. L'installation doit etre effectuee dans le respect des normes en vigueur. Attention: le fabricant declina toute responsabilite en cas de dommages, directs ou indirects, causes par une mauvaise installation, par une utilisation, des interventions ou des modifications impropres, par un entretien insuffisant, ainsi qu'en cas de dommages derivant des causes mentionnees dans les conditions de vente. L'appareil objet de la presente notice est prevu pour un usage professionnel, aussi son utilisation doit-elle etre confiee a un personnel possedant les competences necessaires a cet effet. L'utilisateur ne doit proceder a aucune intervention ni a aucune modification sur les parties reglees et protegees par le fabricant ou autre personnel autorise a cet effet.

CARACTERISTIQUES TECHNIQUES

L'etiquette sur laquelle figurent les caracteristiques techniques est apposee sur la partie posterieure de l'appareil. Avant de proceder a l'installation, prendre connaissance du schema electrique et de toutes les informations que contient la presente notice.

Nature du produit	Puissance thermique	Puissance (kW)	Dimension (mm)
SPB - 70/04 G	(1x 6kW) + (1x 3,5)	9,5	400 x 720 x 330
SPB - 70/08 G	(3x 6kW) + (1x 3,5)	21,5	800 x 720 x 330
SPB - 70/012 G	(4x 6kW) + (2x 3,5)	31	1200 x 720 x 330
SPB - 70/40 G	(1x 6kW) + (1x 3,5)	9,5	400 x 720 x 908
SPB - 70/80 G	(3x 6kW) + (1x 3,5)	21,5	800 x 720 x 908
SPB - 70/120 G	(4x 6kW) + (2x 3,5)	31	1200 x 720 x 908

CONTROLE DE L'EMBALLAGE ET DE L'APPAREIL

En vue de son transport, l'appareil quitte les établissements du fabricant parfaitement emballé (sur l'emballage sont apposés les étiquettes et les symboles nécessaires à cet effet). L'emballage contient également la notice des instructions d'utilisation. Dans le cas où l'emballage présenterait des dommages ainsi que dans le cas où il s'avérerait qu'il a été manipulé sans les précautions nécessaires, il est impératif d'adresser sans attendre une déclaration au transporteur en y joignant une acceptation de la marchandise sous réserve.

Recommandation importante:

-Le produit est destiné uniquement à un usage intérieur.

N'utilisez jamais cet appareil si le cordon ou la fiche sont endommagés, si l'appareil fait défaut, s'il a été échappé ou endommagé ou immergé. Dans ce cas, retournez cet appareil au centre service autorisé pour examen.

- Pour usage professionnel seulement
- La présente notice des instructions d'utilisation et d'entretien contient d'importantes informations relatives à la sécurité, à l'installation et à l'utilisation; il est nécessaire d'en effectuer attentivement la lecture.
- Les recommandations se réfèrent à l'appareil objet de la présente notice.
- L'appareil est conforme aux normes en vigueur.
- Veiller à bien conserver la notice de telle sorte qu'elle puisse être consultée à tout moment en cas de besoin.
- Ne pas laisser des enfants s'approcher de l'appareil durant son utilisation.
- Pendant la vente ou après le déménagement de l'appareil vérifier que le personnel lise attentivement la présente notice d'utilisation
- L'appareil ne peut être utilisé que par le personnel instruit
- L'appareil ne peut être laissé en marche sans surveillance
- Il est recommandé de faire l'appareil contrôler au moins une fois par an dans un service spécialisé
- Ne pas utiliser que des pièces détachées originelles.
- En cas de défaut ou de mauvaise fonction, débrancher l'appareil (eau, gaz, électricité) et appeler un service spécialisé
- Le fabricant décline toute responsabilité en cas de dommages, directs ou indirects, causés par une mauvaise installation, utilisation, etc

LA LOCATION

Le local dans lequel l'appareil est installé doit être bien ventilé. Si l'appareil doit toucher le parois, celui-ci doit résister à la chaleur de 90°C au minimum. L'installation, le réglage et la mise en marche doivent être effectués par une personne qualifiée ayant une autorisation nécessaire selon les normes en vigueur.

Déballez l'appareil et vérifiez s'il n'était pas endommagé pendant le transport. Placez l'appareil sur une surface horizontale (pente maximale de 2°). Placez l'appareil sous une hotte pour éliminer la vapeur et mauvaise odeur.

L'appareil peut être installé seul ou en série avec d'autres appareils de notre fabrication. Il faut respecter la distance minimale de 10 cm entre l'appareil et d'autres objets ainsi qu'éviter le contact avec les matériaux inflammables. Dans ce cas il faut prévoir les arrangements nécessaires pour assurer la protection des parties inflammables.

INSTRUCTIONS TECHNIQUES POUR INSTALLATION ET REGLEMENT

Important:

Le fabricant ne fournit pas de garantie pour les défauts causés par l'usage, tout manquement impropre aux instructions contenues dans les instructions ci-jointes pour l'utilisation et aux mauvais traitements des appareils.

Installation, réglage et réparation d'appareils pour les cuisines, ainsi que leur élimination en raison de dommages possibles au gaz peut être effectuée qu'en vertu d'un contrat de maintenance, ce contrat peut être signé avec un distributeur agréé, et doivent être conformes à la réglementation technique et normes et réglementations concernant l'installation, l'alimentation, de raccordement de gaz et de la santé et la sécurité du système.

Ces instructions sont destinées au technicien qualifié qui doit effectuer l'installation, le mettre en marche et tester l'appareil.

Toute activité en tant que paramètres, le placement, le rééquilibrage etc, doit être faite que lorsqu'il est périphérique déconnecté de l'électricité. Si il est nécessaire d'avoir le périphérique connecté à l'électricité, vous devez garder la plus grande attention afin d'éviter toute blessure.

MÉSURES DE SÉCURITÉ POUR LA PROTECTION CONTRE INCENDIE SELON EN 06 1008 ARTICLE 21:

- l'appareil ne peut être utilisé que par des personnes majeures
- l'appareil peut être utilisé dans un espace ordinaire selon EN 332000-4-482; 332000-4-42
- l'appareil doit être placé ou suspendu d'une manière stable sur une surface ininflammable

Il est interdit de placer sur l'appareil ou dans la distance inférieure à 10 cm de l'appareil des objets inflammables.

- les distances de sécurité pour les matériaux inflammables selon leurs degré d'inflammabilité et les informations sur l'inflammabilité des matériaux de construction – voir le tableau

Tableau:

degré d'inflammabilité d'un matériel de construction (EN 730823)

A ininflammables	granit, grès, béton, briques, carrelage céramique, enduit
B difficilement inflammables	acumin, héraclite, lihnos, itaver
C1 mal inflammables	bois des arbres feuillus, contre-plaqué, papier durci, umakart
C2 inflammabilité moyenne	aggloméré, solodur, liège, caoutchouc, revêtements
C3 inflammabilité facile	planches de fibre de bois, polystyrène, polyurethane, PVC

L'appareil doit être installé d'une manière sûre. Pour l'ajustage de l'appareil est ce-ci procuré des pieds réglables.

- EN 06 1008 protection contre incendie des consommateurs d'énergie locaux et des émetteurs de chaleur
- EN 33 2000 (33 2000-4-482; 33 2000-4-42) le milieu pour les appareil électriques

TUYAU D'AMENÉE DU GAZ

Il faut d'abord déterminer si l'appareil est fait pour le même type de gaz qui sera utilisé et est donc conforme aux indications figurant sur l'étiquette du type de gaz utilisé.

La conversion de la poêle à gaz à un autre type de gaz, vous devez vérifier si elle correspond au type de palier à gaz, ce qui est recommandé dans ce guide.

Connexion de l'appareil à la distribution de gaz doit être tractable à un tube d'acier ou de cuivre se conformer aux exigences applicables nationales. Ce doit être contrôlée sur une base régulière et changé si nécessaire. Chaque appareil doit être équipé d'un robinet d'arrêt et rapide robinet d'arrêt. Rapide robinet d'arrêt doit être librement accessible et à portée de main de l'appareil. Après l'installation, est nécessaire pour vérifier s'il ya une fuite de gaz. Pour trouver une fuite de gaz, vous pouvez utiliser de l'eau savonneuse ou un spray pour la détection de fuite de gaz.

Ne pas utiliser de substances corrosives! Tous nos appareils sont soigneusement contrôlés. Type de gaz, la pression et des catégories énumérées le nom figure sur la plaque de l'information technique.

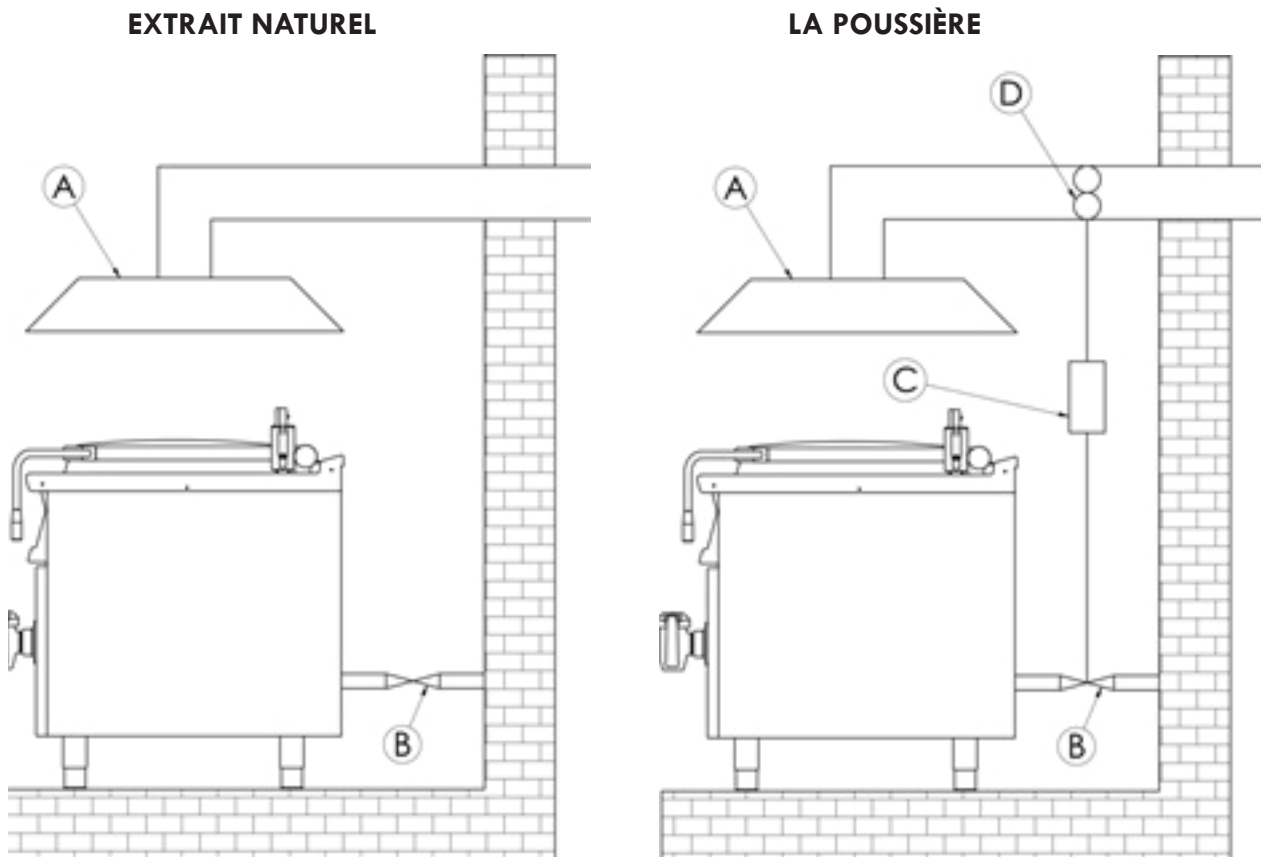
Raccordement au gaz liquide:

La pression de gaz pour le raccordement de liquide doit être 28 ou 30 mbar pour le propane / butane et 37 mbar pour le propane. Il est nécessaire de vérifier l'étiquette technique, d'évaluer la pression et vérifier les paramètres de la buse est installé avec les paramètres requis de la buse selon les indications du fabricant. Si la pression est inférieure à 25mbar ou supérieure à 37 mbar, l'appareil doit ne pas être connecté.

Raccordement au gaz:

Pression pour la connexion du méthane doit être 18 ou 20 mbar. Il est nécessaire de vérifier l'étiquette technique, d'évaluer la pression et vérifier les paramètres de la buse est installé avec les paramètres requis de la buse selon les indications du fabricant. Si la pression du gaz est inférieure à 15mbar ou supérieur à 22,5 mbar, l'appareil doit ne pas être connecté.

CHEMINÉE POUR LA CONCEPTION D'UN DISPOSITIF DE TYPE A



Hotte aspirante avec extraction naturelle (A). Gaz de combustion fournit un tirage de la cheminée naturelle.

Bouchon à la sortie sans extraction naturelle. Des gaz de combustion est assurée par un ventilateur (D) (extraction forcée). Dans ce cas il faut assurer la connexion avec une alimentation en gaz (B) à l'alimentation en gaz en cas de défaillance.

CHECK THE GAS TYPE THE DEVICE IS ADJUSTED FOR

Nos appareils sont certifiés et réglementée du gaz naturel (voir la plaque technique). Conversion ou l'adaptation à un autre type de gaz doit être effectuée par du personnel autorisé. Buses pour différents types de gaz sont dans un sac fourni avec la cuisinière à gaz et sont marqués en centièmes de mm (table des tuyaux de données techniques).

Remplacement de la buse et de réglage de pression

Pour changer la buse du brûleur principal, veuillez suivre les instructions suivantes :

- 1) Retirer les boutons de commande du panneau frontal (fig.1, Note. 1)
- 2) Démontez le panneau frontal (fig.1, Note. 2)
- 3) Pour faciliter l'accès, nous recommandons d'également démonter le panneau arrière (si possible) (fig.1, Note. 3)
- 4) Régler l'arrivée d'air en fonction du type de gaz conformément au tableau „CARACTÉRISTIQUES TECHNIQUES“.

Important:

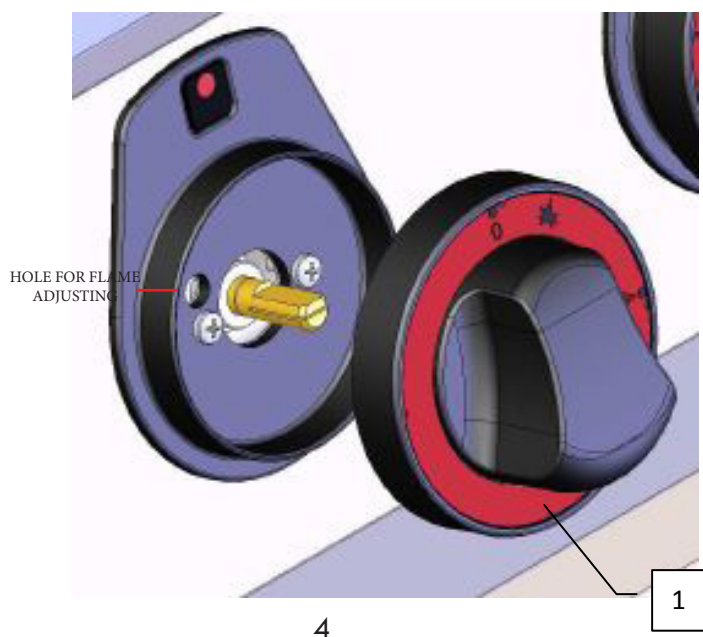
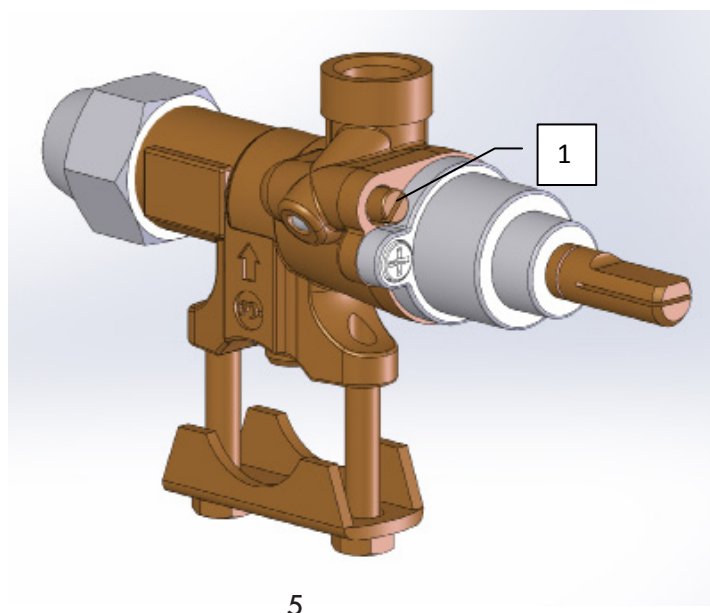
Après ce qui s'est fait ajuster l'appareil à un autre type de gaz, il est nécessaire de changer le gaz indiqué sur la plaque technique situé dans un endroit visible sur le dos de l'appareil.

Réglage de la flamme à la performance „ECONOMIE“ réduite

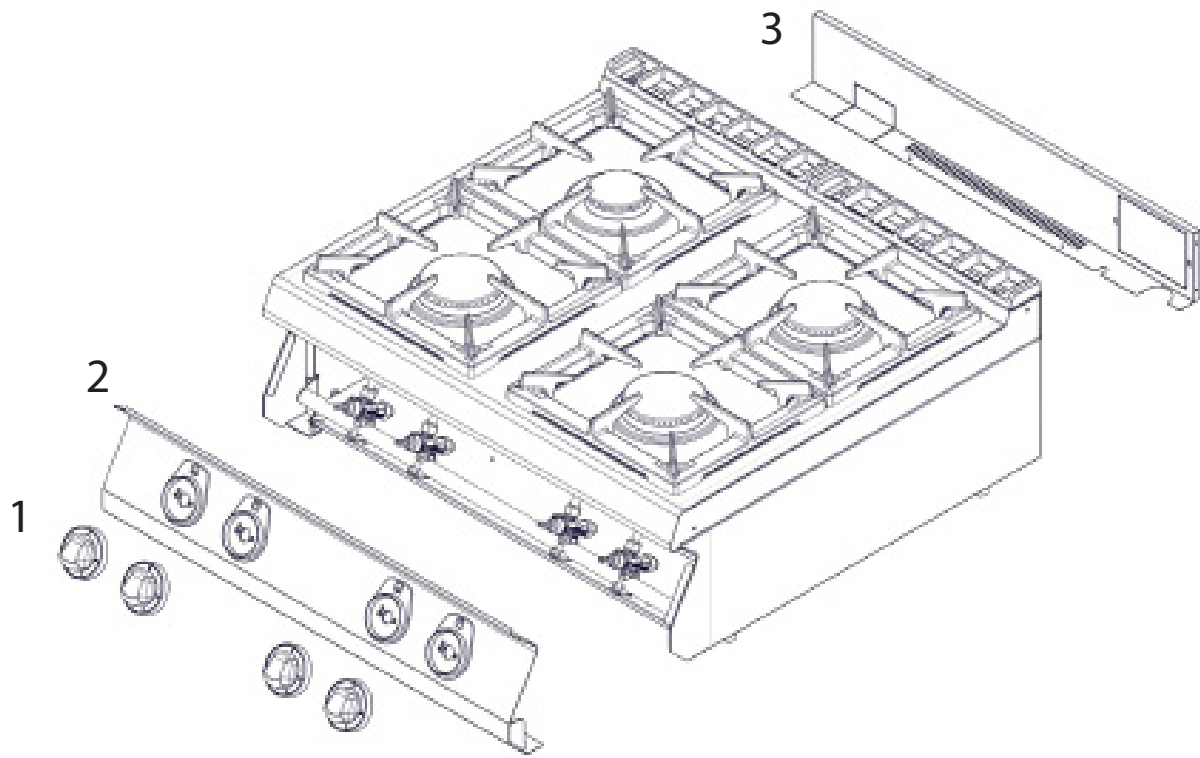
Flamme à la performance „ECONOMIE“ réduite, peut être réglée avec la vis placée dans le corps de la vanne (Note. 1, fig. 5) placée à côté de tige de soupape

Pour le réglage, procédez comme suit:

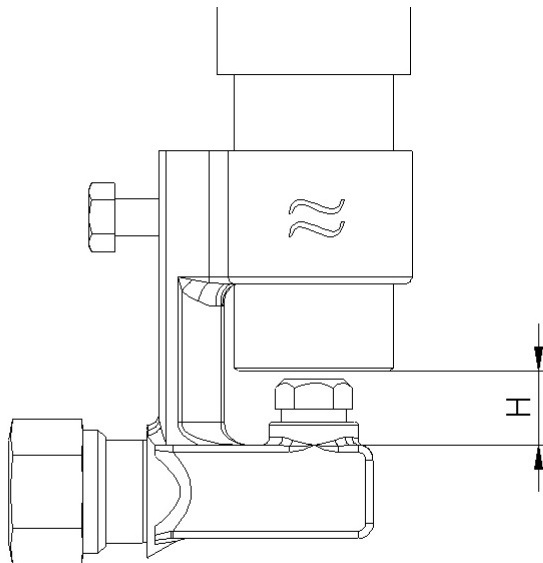
- Retirer le bouton de commande (Note. 1, fig 4). Tirant vers vous
- Régler la flamme à travers le trou avec un tournevis plat

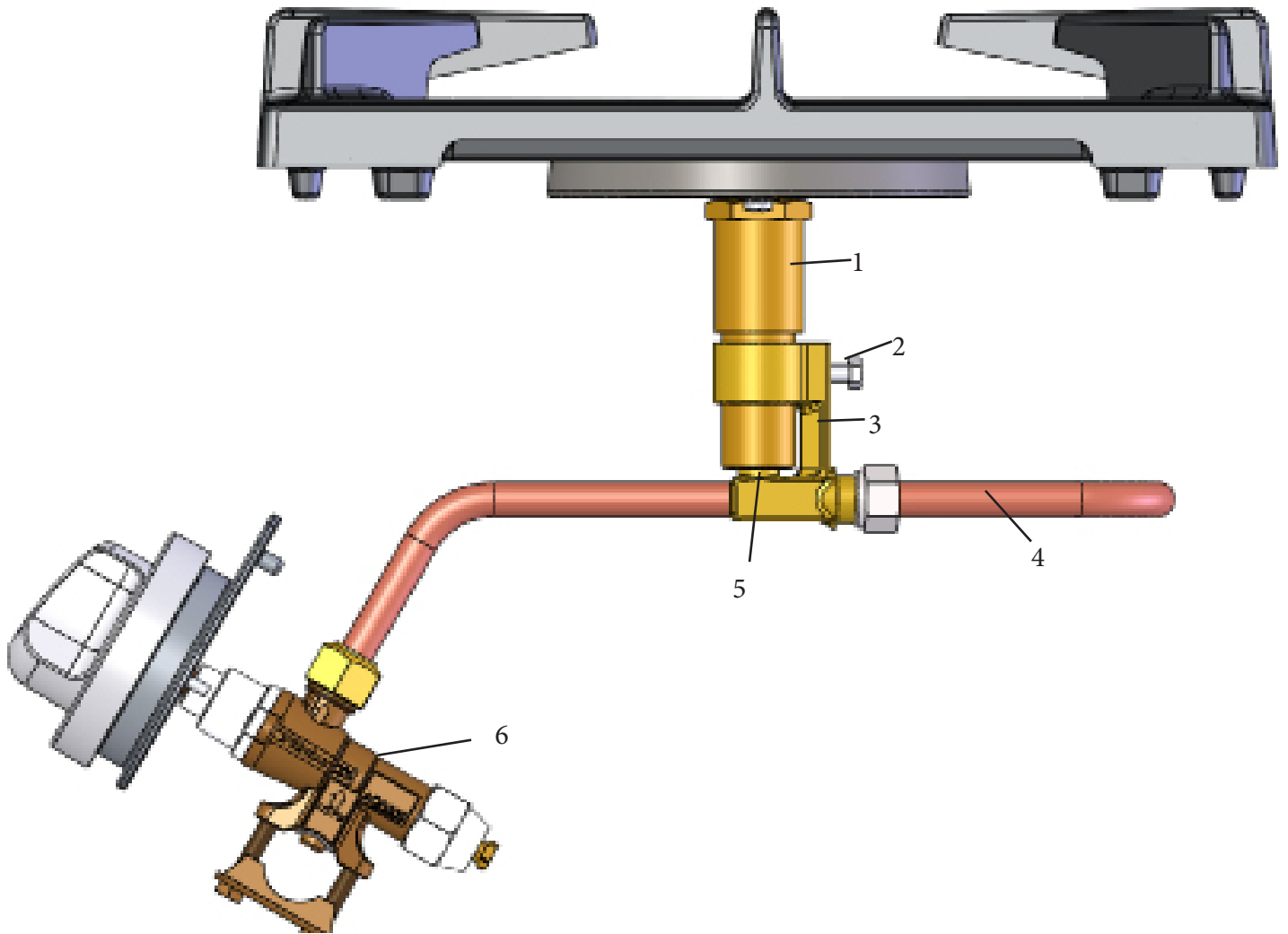


obr. 1



obr. 4





Nomenclature:

- 1- Tube du brûleur
- 2- Vis à 6 pans creux M5x16
- 3- Support de la buse
- 4- Tube d'arrivée en cuivre
- 5- Buse du brûleur
- 6- Robinet à gaz

Procédé de changement de la buse:

- 1) Desserrer la vis à 6 pans creux M5x16 (pos. 2)
- 2) Déplacer le support de la buse (pos. 3) vers le bas
- 3) Dévisser la buse à l'aide d'une clé (pos. 5) et la remplacer par une buse de la taille demandée
- 4) Déplacer le support de la buse vers le haut à une distance H du tube du brûleur
- 5) Resserrer la vis à 6 pans creux M5x16

La distance H désigne la distance nominale en mm entre le support de la buse et le tube du brûleur (pos. 1). Toutes les valeurs sont vérifiées par un institut d'essai.

DESCRIPTION DE L'USAGE

Allumage du brûleur principal et régulation de la puissance thermique :

Mettre le bouton du robinet (A) dans la position « l'allumage du brûleur principal », appuyer sur lui et tenir, appuyer plusieurs fois sur le bouton de l'allumeur piezo jusqu'à ce que le brûleur principal ne s'allume. Vous pouvez voir la flamme à travers le trou dans le panneau frontal. Tenez le bouton (A) encore pendant quelques secondes jusqu'à ce que la sonde thermique chauffe, puis lâchez le bouton. Si la flamme s'éteint, répétez le procédé.

La flamme économique

Mettez le bouton (A) dans la position « flamme économique », ainsi la flamme est réduite pour une consommation économique.

Pour éteindre l'appareil tab. 1, 2

Mettez le bouton (A) dans la position « 0 ».

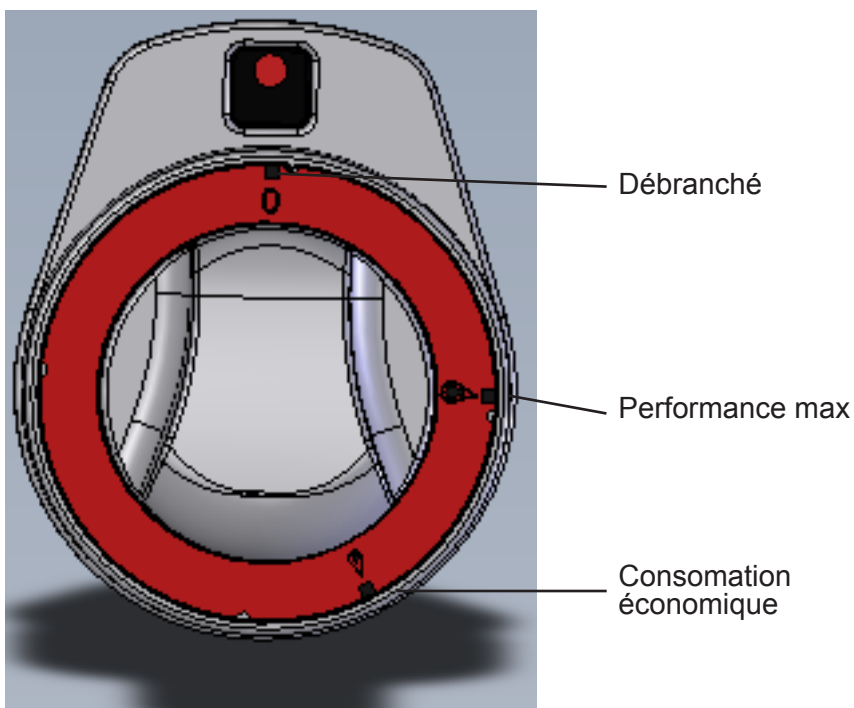
Tirage des gaz de combustion

L'appareil du type A (voir l'étiquette)

Les appareils du type A (donc les appareils pas reliés avec une cheminée) doivent être installés dans les locaux bien aérés selon les normes en vigueur, pour prévenir la cumulation des substances nuisantes à la santé dans les concentrations dangereuses. (EN 12 7010 :1986 et EN 12 7040 :1986) (sv.39/78 sm 46)

Notices et recommandations

Utiliser l'appareil uniquement sous surveillance.



NETTOYAGE ET ENTRETIEN

Il est recommandé de faire contrôler l'appareil dans un service spécialisé au moins une fois par an. Toutes les interventions peuvent être effectuées seulement par une personne qualifiée ayant une autorisation pour ces interventions.

ATTENTION ! L'appareil ne peut pas être nettoyé sous l'eau courante ou de pression. Nettoyer l'appareil chaque jour. Nettoyage quotidien prolonge la vie et le fonctionnement de l'appareil. Avant le nettoyage vérifier, si l'appareil est débranché. Toujours débrancher l'alimentation principale. Les pièces en inox nettoyer à l'aide d'un torchon humide et un détergent sans particules abrasives, rincer, sécher. Ne jamais utiliser les produits abrasifs ou corrosifs.

Comment procéder en cas de panne de l'appareil

Débrancher l'appareil et appeler le service spécialisé.

AVERTISSEMENT:

La garantie ne concerne pas les bourrelets en caoutchouc, bulbes, parties en verre et en plastique. Elle ne concerne également pas tout l'appareil si l'installation n'a pas été effectuée par une personne qualifiée, selon le mode d'installation ou selon les normes en vigueur ou si l'appareil n'a pas été utilisé selon le mode d'emploi, s'il y avait des interventions nonprofessionnelles (interventions à l'intérieur de l'appareil). La garantie ne concerne pas les endommagements causés par la pluie, vent, etc.

DE VERKLARING VAN OVEREENSTEMMING MET DE NORMEN

De fabrikant verklaart dat de apparaten voldoen aan de basiseisen van de richtlijn 2016/426/EU, 2014/30/EU, 2014/35/EU verordening van de regering nr. 22/1997 Coll., nr. 258/2000 Coll., nr. 258/200 Coll., nr. 118/2016 Coll., nr. 117/2016 Coll.

Technische gegevens

Het typeplaatje met technische gegevens bevindt zich aan de zijkant of op de achterkant van het apparaat. Bestudeer het elektrische schema van het apparaat en alle onderstaande informatie, voordat u overgaat tot installatie van het apparaat.

Producttype	Branders vermogen (kW)	Totaal vermogen (kW)	Afmetingen totaal (mm)
SPB - 70/04 G	(1x 6kW) + (1x 3,5)	9,5	400 x 720 x 330
SPB - 70/08 G	(3x 6kW) + (1x 3,5)	21,5	800 x 720 x 330
SPB - 70/012 G	(4x 6kW) + (2x 3,5)	31	1200 x 720 x 330
SPB - 70/40 G	(1x 6kW) + (1x 3,5)	9,5	400 x 720 x 908
SPB - 70/80 G	(3x 6kW) + (1x 3,5)	21,5	800 x 720 x 908
SPB - 70/120 G	(4x 6kW) + (2x 3,5)	31	1200 x 720 x 908

Controle van de verpakking en het apparaat

Het apparaat verlaat ons magazijn in een verpakking die voldoet aan alle voorschriften en waarop zich de vereiste symbolen en markeringen bevinden. In de verpakking bevindt zich de overeenkomstige gebruiksaanwijzing. Indien de verpakking beschadigd is of wijst op onjuist transport, dient u dit onmiddellijk te reclameren bij de transporteur door middel van ondertekening van een schadeprotocol. Latere indiening van klachten wordt niet in aanmerking genomen.

Belangrijke aanwijzingen

Lees deze gebruiksaanwijzing aandachtig en nauwkeurig door, omdat zij belangrijke informatie bevat over veiligheidsvoorzieningen, installatie en gebruik van het apparaat.

- Het product is alleen bedoeld om binnenshuis te worden gebruikt.
- Gebruik het apparaat nooit als de stroomtoevoer of stekker beschadigd is, als het niet juist werkt, het op de grond is gevallen en beschadigd of in het water is gevallen. Breng in dergelijke gevallen het apparaat naar een gespecialiseerde service om te controleren of het apparaat veilig is en correct werkt.
- Deze aanbevelingen zijn van toepassing op dit product of productlijn.
- Deze handleiding moet zorgvuldig bewaard worden voor toekomstig gebruik.
- Zorg ervoor dat kinderen het apparaat niet kunnen bedienen.
- Wanneer u hebt apparaat verkoopt of verplaatst, zorg er dan voor dat de persoon die het apparaat bedient of er de service van doet, bekend is met het gebruik en de installatie-instructies in de bijgevoegde handleiding.
- Het product mag uitsluitend worden bediend door een persoon die bekend is met deze gebruiksaanwijzingen.
- Het ingeschakelde apparaat niet zonder toezicht laten werken.
- Wij bevelen aan om het apparaat minimaal 2x per jaar een gespecialiseerde controle en onderhoudsbeurt te geven.
- Gebruik uitsluitend originele onderdelen bij eventuele reparatie of vervanging van onderdelen.
- Het apparaat mag niet schoongemaakt worden met een waterstraal of een hogedrukreiniger.
- Bij storingen of wanneer het apparaat niet goed werkt alle leidingen (water, stroom, gas) afsluiten en contact opnemen met de geautoriseerde service.
- De producent is niet aansprakelijk voor storingen die zijn veroorzaakt door incorrecte installatie, het niet in acht nemen van bovengenoemde aanbevelingen, gebruik dat niet in overeenstemming is met de bestemming van het apparaat enz.
- Het apparaat mag alleen worden gebruikt voor het doel waarvoor het is bedoeld. Elk ander gebruik is verboden en kan leiden tot gevaar of letsel
- Er moet worden gezorgd voor de strengste naleving van de brandbeveiligingsregels
- Tijdens en kort na het bedrijf zijn sommige delen van het apparaat heet
- Het is verboden om tijdens de werking andere delen van het apparaat aan te raken dan de hiervoor bedoelde bedieningselementen

Plaatsing

De volgende richtlijnen in overeenstemming met de normen TPG G 704 01, ČSN 127040 en ČSN 127010 moeten in acht worden genomen voor de juiste werking en opstelling van het apparaat.

Pak het apparaat uit een controleer of het tijdens het transport niet is beschadigd. Plaats het apparaat op een horizontale oppervlakte (de maximale oneffenheid mag maximaal 2° bedragen). Kleine oneffenheden kunnen worden opgevangen met de stelvoeten.

Als het apparaat zodanig geplaatst is dat het in contact komt met de wanden van het meubilair, dan moeten deze bestand zijn tegen temperatuur tot 60 °C. Installatie, afstelling en inbedrijfstelling moet door een gekwalificeerd persoon uitgevoerd worden die bevoegd is voor deze handelingen in overeenstemming met de toepasselijke normen.

Het apparaat kan afzonderlijk worden geïnstalleerd of in serie met door ons geproduceerde apparaten. Er moet een minimale afstand van 10 cm tot brandbare materialen aangehouden worden. In dit geval is het ook noodzakelijk de nodige aanpassingen uit te voeren om de warmte-isolatie van de brandbare onderdelen te waarborgen.

Het apparaat mag alleen worden geïnstalleerd op een onbrandbare ondergrond of tegen een onbrandbare wand.

De kleinste vereiste luchtstroming vanuit de buitenruimte voor de apparaten van versie A ligt in het bereik van 5-20 m³/h, afhankelijk van het type apparaat. Het hangt af van de installatievoorschriften van het land van bestemming.

De door de fabrikant of zijn vertegenwoordiger beveiligde onderdelen van het apparaat mag de persoon die de installatie van het product doet, niet wijzigen.

Installatie

Belangrijk:

De fabrikant verleent geen garantie voor storingen die zijn ontstaan als gevolg van oneigenlijk gebruik, het niet in acht nemen van de instructies in bijgevoegde gebruikershandleiding en verkeerde hantering van het apparaat.

Installatie-, aanpassings- en reparatiewerkzaamheden op het apparaat voor grote keukens, evenals hun demontage als gevolg van mogelijke schade aan de gastoevoer, kunnen alleen worden uitgevoerd op basis van een onderhoudscontract. Dit contract kan met een geautoriseerde verkoper afgesloten worden, met inachtneming van de technische voorschriften en normen en voorschriften betreffende installatie, elektrische toevoerleidingen, gasaansluiting en arbeidsveiligheid.

Technische instructies voor installatie en afstelling zijn **UITSLUITEND** bestemd om door gespecialiseerde technici te worden gebruikt.

De volgende instructies zijn bestemd voor een technicus die de juiste kwalificaties bezit voor de installatie, om te verzekeren dat hij alle handelingen op de juiste manier en in overeenstemming met de geldende normen kan uitvoeren.

Iedere handeling die te maken heeft met onder andere regulatie, moet worden uitgevoerd terwijl het apparaat is losgekoppeld van de stroomvoorziening. Indien het apparaat toch onder spanning moet staan, dient u de grootst mogelijke voorzichtigheid in acht te nemen.

Het type apparaat voor de uitvoering van afzuiging staat vermeld op het typeplaatje, dit zijn de apparaten van het type A1.

Veiligheidsvoorzieningen in verband met brandpreventie conform ČSN 061008 art. 21

- het apparaat mag uitsluitend door volwassenen bediend worden
- het apparaat kan veilig gebruikt worden in overeenstemming van de volgende normen:
ČSN 33 2000-4-482: Brandbeveiliging in gebieden met een speciaal risico of gevaar
ČSN 33 2000-4-42: Bescherming tegen invloeden van warmte

- het apparaat moet zo worden geplaatst dat het stevig staat of hangt op een vuurbestendige ondergrond
Op of naast het apparaat mogen zich geen brandbare voorwerpen bevinden binnen de veilige afstand die voor het apparaat is vastgesteld (de kleinste afstand tot brandbare materialen bedraagt 10 cm).

Tabel: De mate van brandbaarheid van bouwmaterialen (ČSN 730823) weergegeven per substantie en product

Mate van brandbaarheid	Bouwmaterialen
A – niet brandbaar	Graniet, zandsteen, beton, baksteen, keramische bekleding, pleisterwerk
B – heel moeilijk brandbaar	Acuminiet, heracliet, lihnos, itaver
C1 – moeilijk brandbaar	Hout, loofhout, fineer, sirkoklit, verstevigd papier, umakart
C2 – gemiddeld brandbaar	Spaanplaat, solodur, kurkplaat, harde rubber, vloerbedekking
C3 – zeer brandbaar	Vezelplaat, polystyreen, polyurethaan, PVC

- Informatie over mate van brandbaarheid van gewone bouwmaterialen staan in de tabel hieronder. Installeer het apparaat op veilige wijze. Neem bij de installatie de voorschriften voor ontwerp, veiligheid en arbeidshygiëne in acht overeenkomstig:
 - ČSN 06 1008 brandveiligheid van lokale apparaten en warmtebronnen
 - ČSN 33 2000-4-482 brandbeveiliging in gebieden met een speciaal risico of gevaar
 - ČSN 33 2000-4-42 bescherming tegen invloeden van warmte

De aansluiting van de gas slangaansluiting

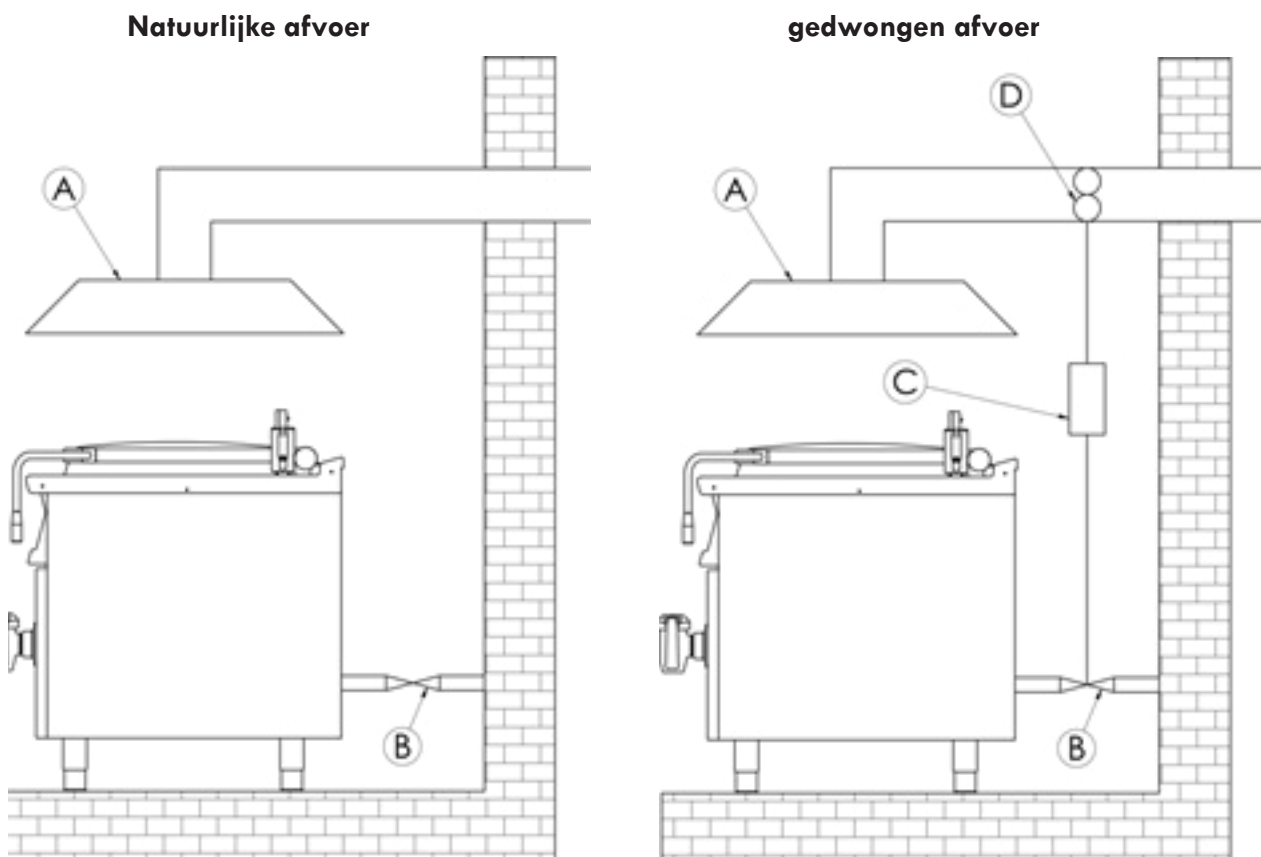
Het aansluiten van het apparaat op de gasleiding moet via een stalen of koperen slang uitgevoerd worden die overeenkomt met de toepasselijke nationale vereisten. De buis moet regelmatig gecontroleerd worden en indien nodig, vervangen worden. Elk apparaat moet uitgerust zijn met een afsluiter en een snelafsluiter. De snelafsluiter moet vrij toegankelijk en binnen handbereik van het apparaat zijn. Na het voltooiën van de installatie moet gecontroleerd worden of er geen gaslek is. Om een eventueel gaslek op te sporen, kunt u een sopje of detectiespray gebruiken.

Gebruik geen stoffen die corrosie veroorzaken! Alle onze apparaten worden zorgvuldig gecontroleerd. Gastype, druk en aanduiding van de betreffende categorie zijn vermeld op het typeplaatje.

Aansluiting op vloeibaar gas:

De druk voor de aansluiting op vloeibaar gas moet 28 of 30 mbar voor propaan/butaan en 37 mbar voor propaan zijn. Het is noodzakelijk het plaatje te controleren, de druk te meten en te controleren of de parameters van de gebruikte sproeier overeenkomen met de gewenste parameters van de sproeier, overeenkomstig de eisen van de fabrikant. Als de druk lager is dan 25 mbar of hoger dan 37 mbar, **MAG HET APPARAAT NIET AANGESLOTEN WORDEN**. Aansluiting op aardgas: De druk voor de aansluiting op methaan moet 18 of 20 mbar zijn. Het is noodzakelijk het plaatje te controleren, de druk te meten en te controleren of de parameters van de gebruikte sproeier overeenkomen met de gewenste parameters van de sproeier, overeenkomstig de eisen van de fabrikant. Als de druk lager is dan 15 mbar of hoger dan 22,5 mbar, **MAG HET APPARAAT NIET AANGESLOTEN WORDEN**

INSTRUCTIES VOOR HET UITVOEREN VAN GASAFVOER –TYPE A



Natuurlijke afvoer, gedwongen afvoer

De uitgang van de afzuigkap bevindt zich in een apart schoorsteenlichaam (A). Rookgasafvoer zorgt voor een natuurlijke trek van de schoorsteen.

De uitgang van de afzuigkap heeft geen natuurlijke afvoer. De rookgasafvoer wordt verzorgd door een ventilator (D), (gedwongen afvoer). In dit geval is het noodzakelijk om een aansluiting op de gastoevoer (B) te voorzien om de gastoevoer uit te schakelen bij een storing.

CONTROLE VAN DE APPARAATINSTELLING OP HET TYPE GAS

Onze apparaten zijn gecertificeerd en gereguleerd voor aardgas (zie typeplaatje). Het ombouwen of converteren van het apparaat naar een ander gastype mag alleen worden uitgevoerd door een bevoegde technicus. De sproeiers voor verschillende soorten gas zitten in de bijgevoegde zak en zijn gemarkeerd in honderdsten van een mm.

Vervanging van de sproeiers en afstelling van de branders (zie de afb. hieronder):

Ga als volgt te werk voor vervanging van de hoofdbrander sproeier:

- 1) verwijder de bedieningsknoppen van het voorpaneel (afb. 1, pos. 1)
- 2) demonteer het voorpaneel (afb. 1, pos. 2)
- 3) om de toegang te vergemakkelijken, raden wij aan het achterpaneel ook te demonteren (indien mogelijk) (afb. 1, pos. 3)
- 4) stel de luchttoevoer voor het betreffende gas (afb. 3) in volgens de tabel "TECHNISCHE SPECIFICATIES VAN DE BRANDERS"

Belangrijk:

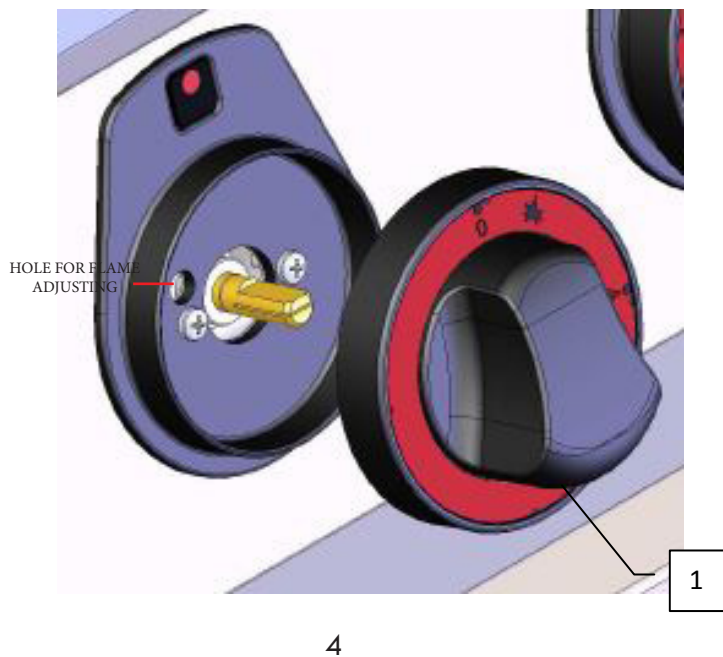
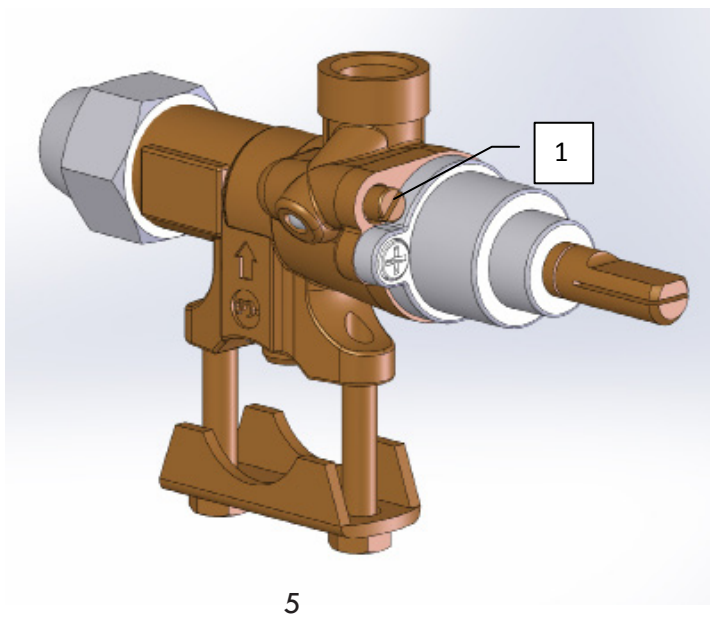
Nadat het apparaat aan een andere soort gas aangepast is, moet u de wijziging van gas op het typeplaatje markeren en de volgende stappen uitvoeren:

- Op eventuele gaslekken controleren
- Ontsteking en de vlam van de hoofdbrander controleren
- De vlam van de hoofdbrander op min. vermogen "SPAARMODUS" controleren

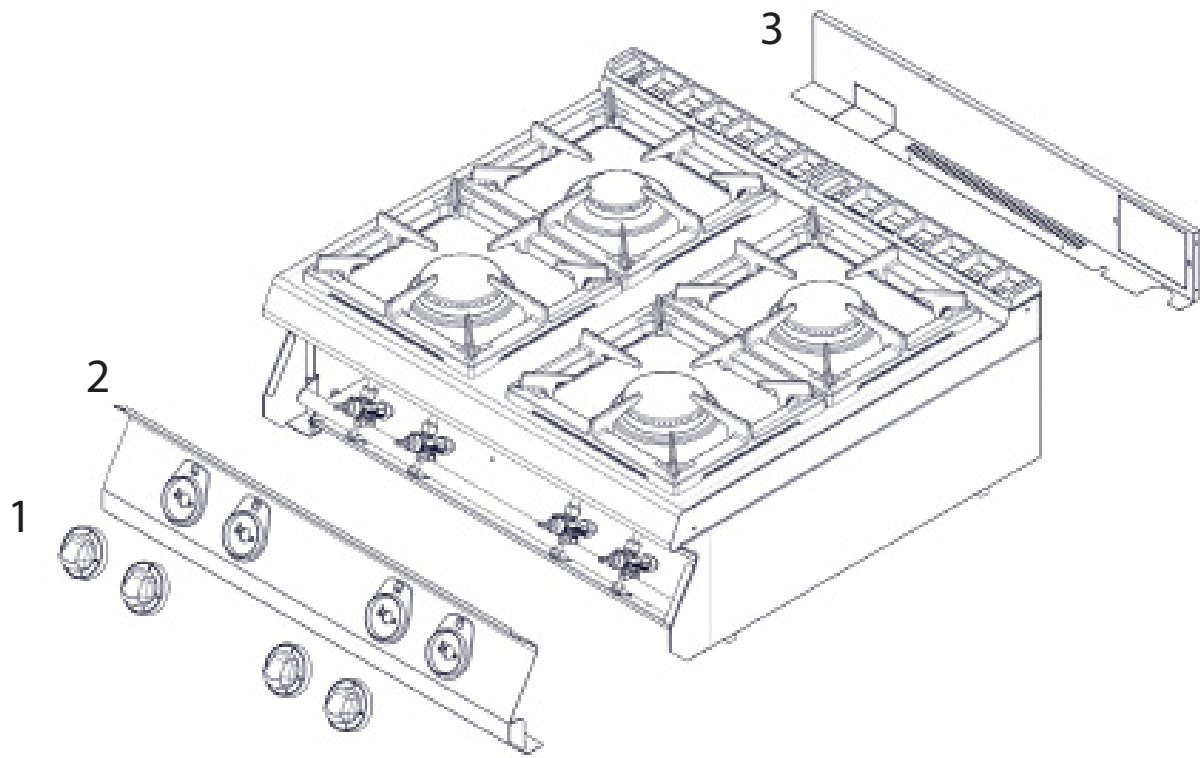
Bij instelling van de kraan op het verlaagde "SPAARMODUS" vermogen, wordt de vlam aangepast met een schroef in het lichaam van de kraan pos. 1, afb. 5) naast de kraanas.

Ga als volgt te werk om de vlam af te stellen:

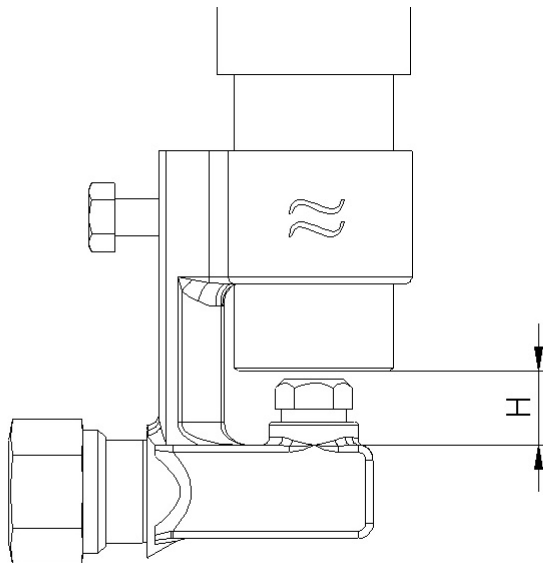
- Verwijder de regelknop (pos. 1, afb. 4) door deze naar u toe te trekken
- Er is een opening voor regulering van de vlam naast de kraanas, regel de vlam met behulp van een platte schroevendraaier

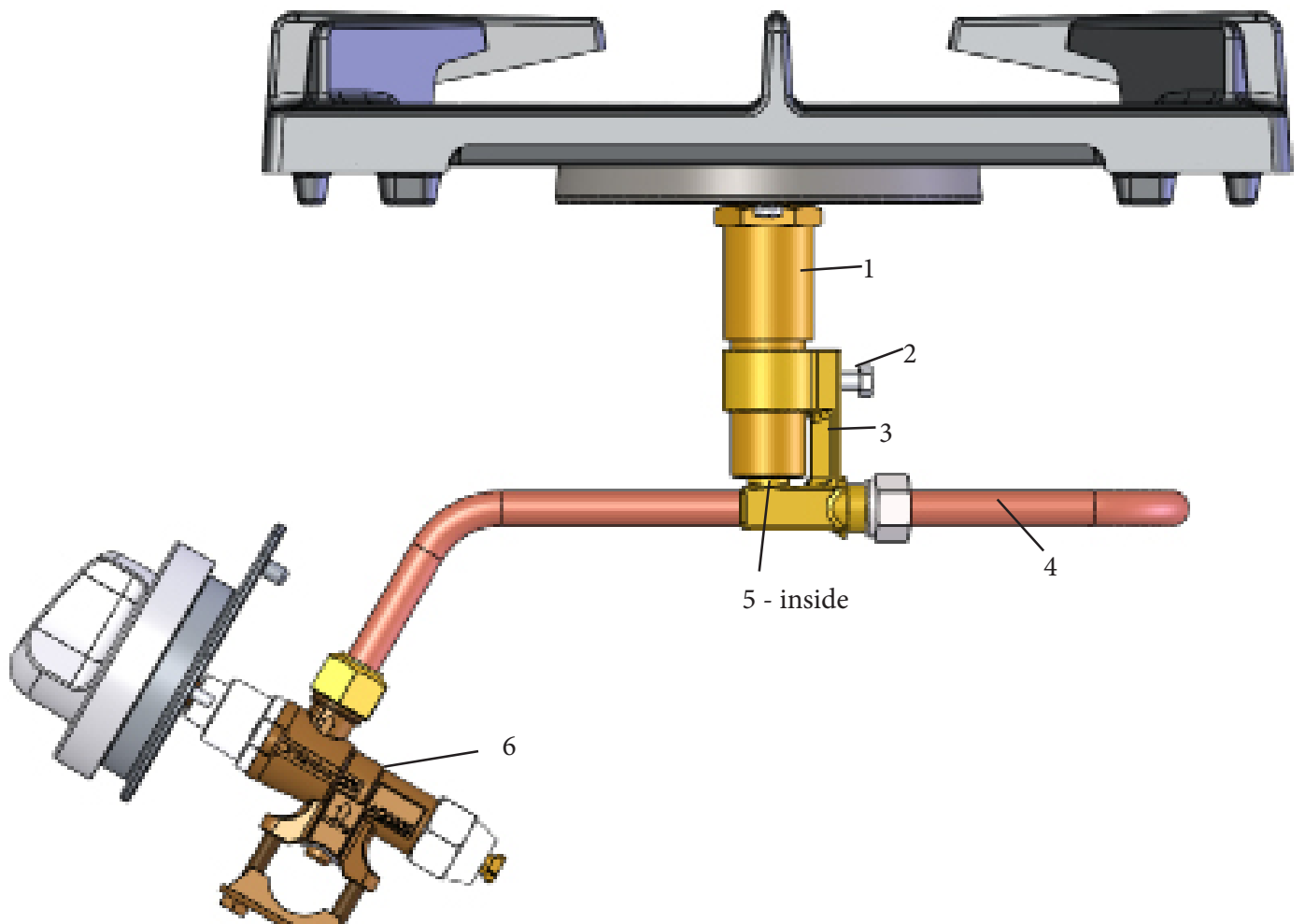


obr. 1



obr. 4





Stuklijst:

1. Branderbuis
2. Schroef M5x16 IMBUS
3. Sproeierhouder
4. Toevoerbuisje – koper
5. Brandersproeier
6. Gaskraan

Procedé voor de vervanging van de sproeier:

1. Draai de schroef M5x16 IMBUS (pos. 2) los
2. Schuif de sproeierhouder (pos. 3) naar beneden
3. Gebruik een sleutel om de sproeier (pos. 5) los te draaien en vervang hem door de gewenste grootte
4. Schuif de sproeierhouder naar boven tot een afstand H
5. Draai de schroef M5x16 IMBUS weer vast

De afstand H betekent de nominale maat in mm tussen de sproeierhouder en de branderbuis (positie 1). De waarden zijn geverifieerd door het testinstituut.

GEBRUIKSAANWIJZING

Opgelet! Voordat u het apparaat gebruikt, moet u de beschermende folie van het gehele oppervlak verwijderen, het vervolgens goed met water en afwasmiddel wassen en daarna met een vochtige doek afnemen.

De brander aansteken en afstellen. Draai de regelknop van de kraan (1) naar de positie “ontsteking van de hoofdbrander” en houd deze ingedrukt. Steek de brander aan met een lucifer of aansteker. Houd na de ontsteking van de brander de knop nr. (1) nog enkele seconden ingedrukt voordat de thermische zekering opwarmt en laat daarna de knop los. Herhaal de hele procedure als de vlam uitgaat.

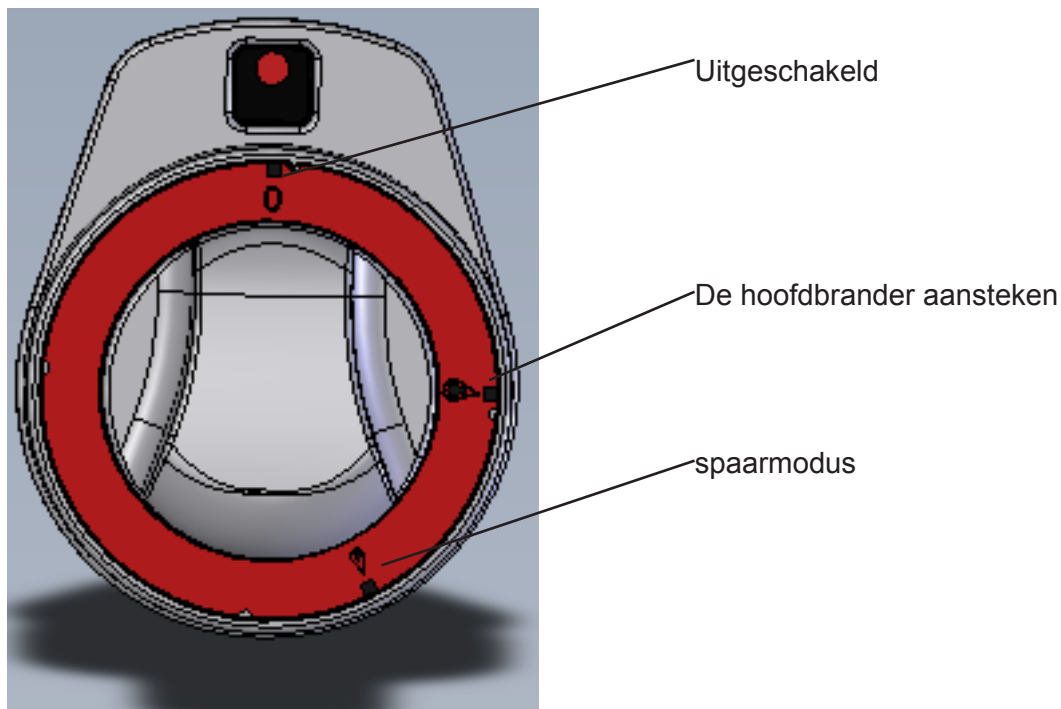
Verminderd vermogen “spaarmodus”. Door de knop (1) naar de positie “spaarmodus” te draaien, stelt u de branden in spaarmodus in (verminderd vermogen).

Uitschakeling van de betreffende brander. Draai gewoon de knop (1) naar de positie “0”.

Instructie voor afvoer van de gas verbrandingsproducten.

De apparaten van het type A (zie typeplaatje)

Een apparaat van het type A (d.w.z. het apparaat dat niet bedoeld is om te worden aangesloten op een verbrandingsgassen afvoer of op een ander voorziening voor het afvoeren van de verbrandingsgassen buiten de ruimte waar het apparaat zich bevindt) moet zodanig geïnstalleerd worden in een ruimte met voldoende ventilatie, die uitgevoerd is conform ČSN 12 7010:1986 a ČSN 12 7040:1986, om de opeenhoping van gezondheidsschadelijke stoffen in een onaanvaardbare concentratie in deze ruimte te voorkomen (het voldoen aan de vereiste van de hygiënische regelgeving inzake de werkomgeving vol. 39/78 van de richtlijn 46).



REINIGING EN ONDERHOUD

Het apparaat moet ten minste 2x per jaar door een gespecialiseerde service gecontroleerd worden. Alle ingrepen aan het apparaat mogen slechts door een gekwalificeerd persoon worden uitgevoerd, die daartoe bevoegd is.

OPGELET! Het apparaat mag niet schoongemaakt worden met een directe waterstraal of met een hogedrukreiniger. Maak het apparaat elke dag schoon. Dankzij het dagelijks onderhoud bent u verzekerd van een lange levensduur en de efficiëntie van het apparaat. Controleer voordat u begint met schoonmaken of het apparaat is losgekoppeld van het elektriciteitsnet. Onderbreek altijd de stroomvoorziening van het apparaat. Maak de elementen van roestvrijstaal schoon met een vochtige doek en een klein beetje schoonmaakmiddel zonder schurende deeltjes en droog met een doek. Gebruik geen schurende of corrosieve schoonmaakmiddelen.

Opgelet! Voordat u het apparaat gebruikt, moet u de beschermende folie van het gehele oppervlak verwijderen, het vervolgens goed met water en schoonmaakmiddel wassen en daarna met een vochtige doek afnemen.

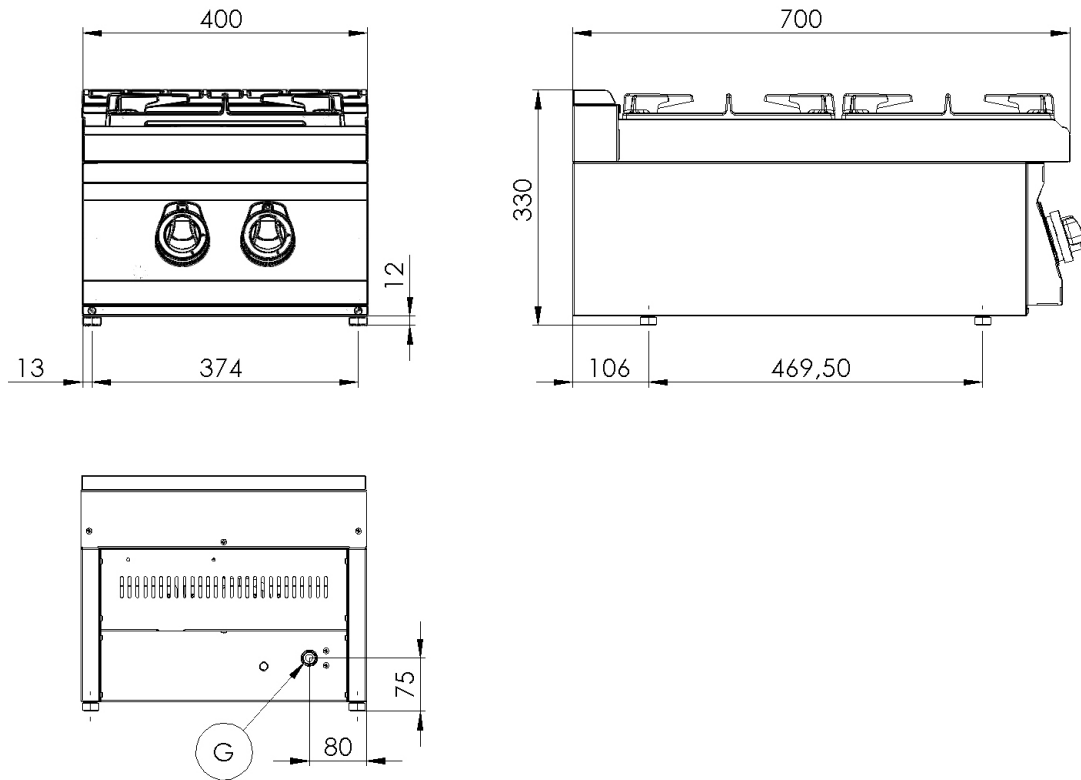
Maatregelen bij storingen Onderbreek de stroom-/gasvoorziening en neem contact op met de serviceafdeling van de verkoper.

De garantie dekt niet alle verbruiksartikelen die onderhevig zijn aan normale slijtage (rubber dichtingen, lampjes, glazen en plastic onderdelen enz.). De garantie strekt zich ook niet uit over apparaten die niet zijn geïnstalleerd door bevoegde personen in overeenstemming met de instructies in de gebruiksaanwijzing en de van toepassing zijnde normen en indien het apparaat onjuist is behandeld (ingrepen in binnenapparatuur enz.) of indien het apparaat bediend is door ongetraind personeel en in de strijd met de gebruiksaanwijzing. Verder dekt de garantie geen schade veroorzaakt door natuurlijke verschijnselen of andere externe invloeden.

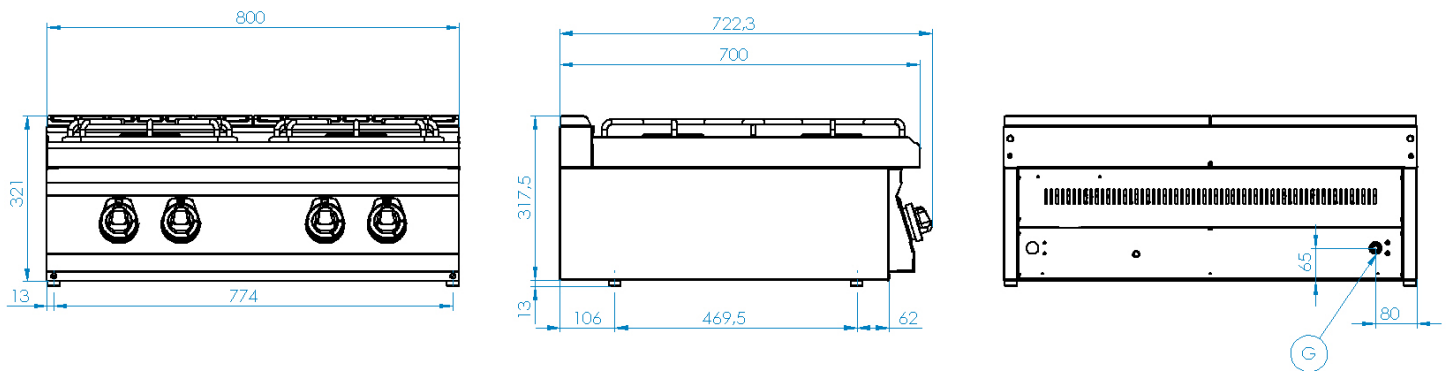
De transportverpakkingen en apparaten moeten aan het einde van hun levensduur aan een inzamelplaats overhandigd worden, in overeenstemming met de voorschriften voor afval en gevaarlijk afval beheer.

DIMENSION PLANS / MASSSKIZZEN / DIMENSIONS

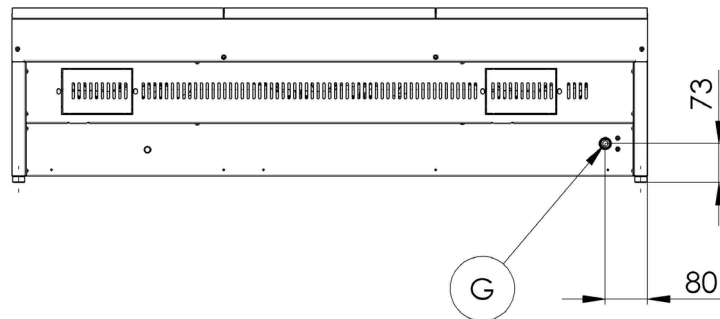
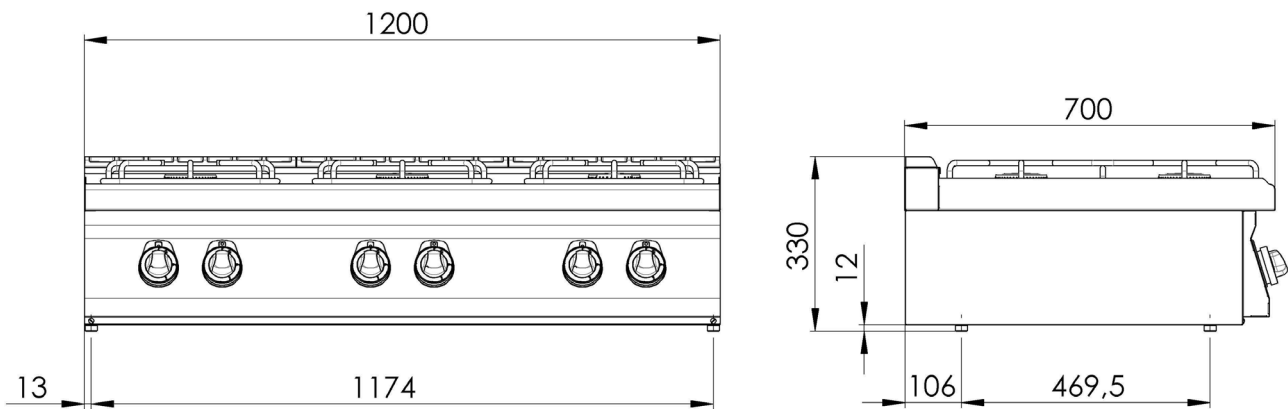
SPB-70/04 G



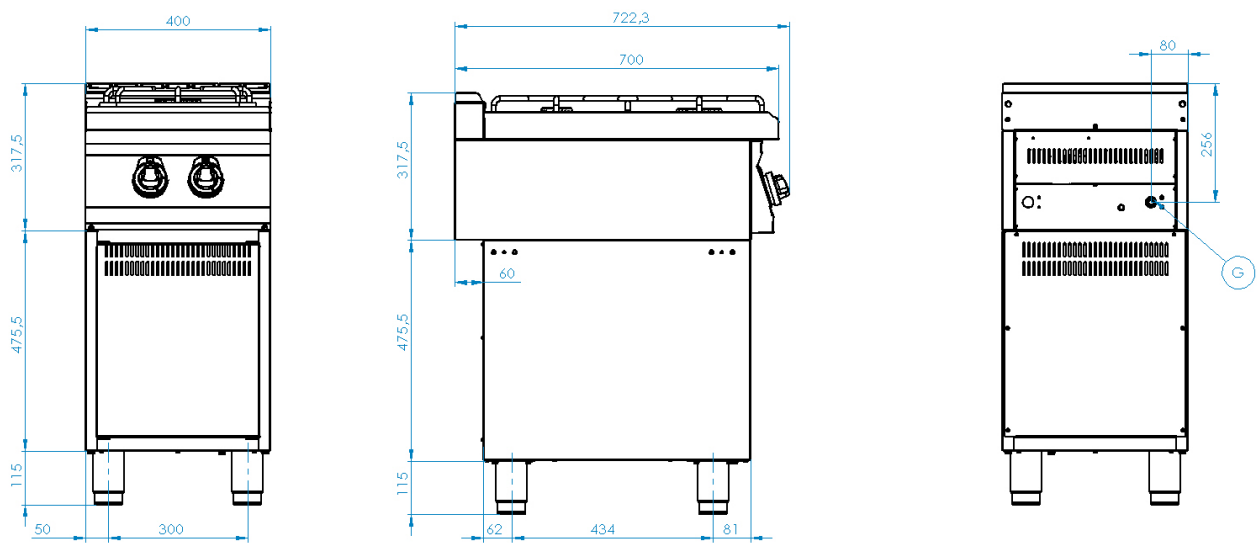
SPB-70/08



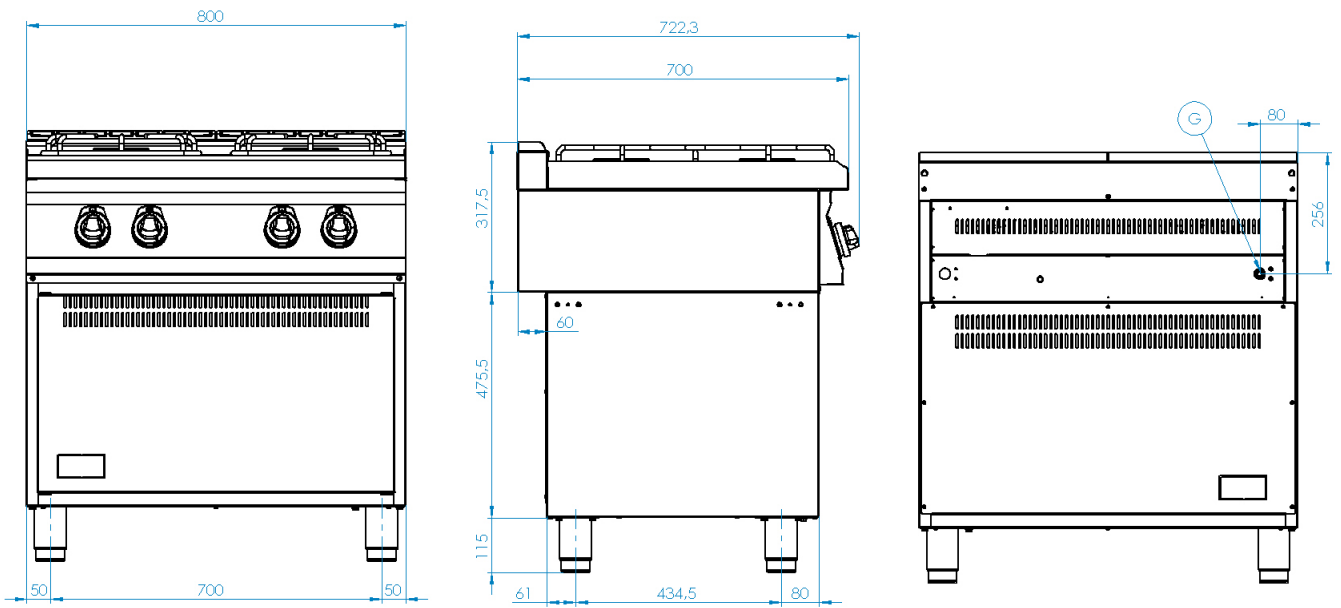
SPB-70/012 G



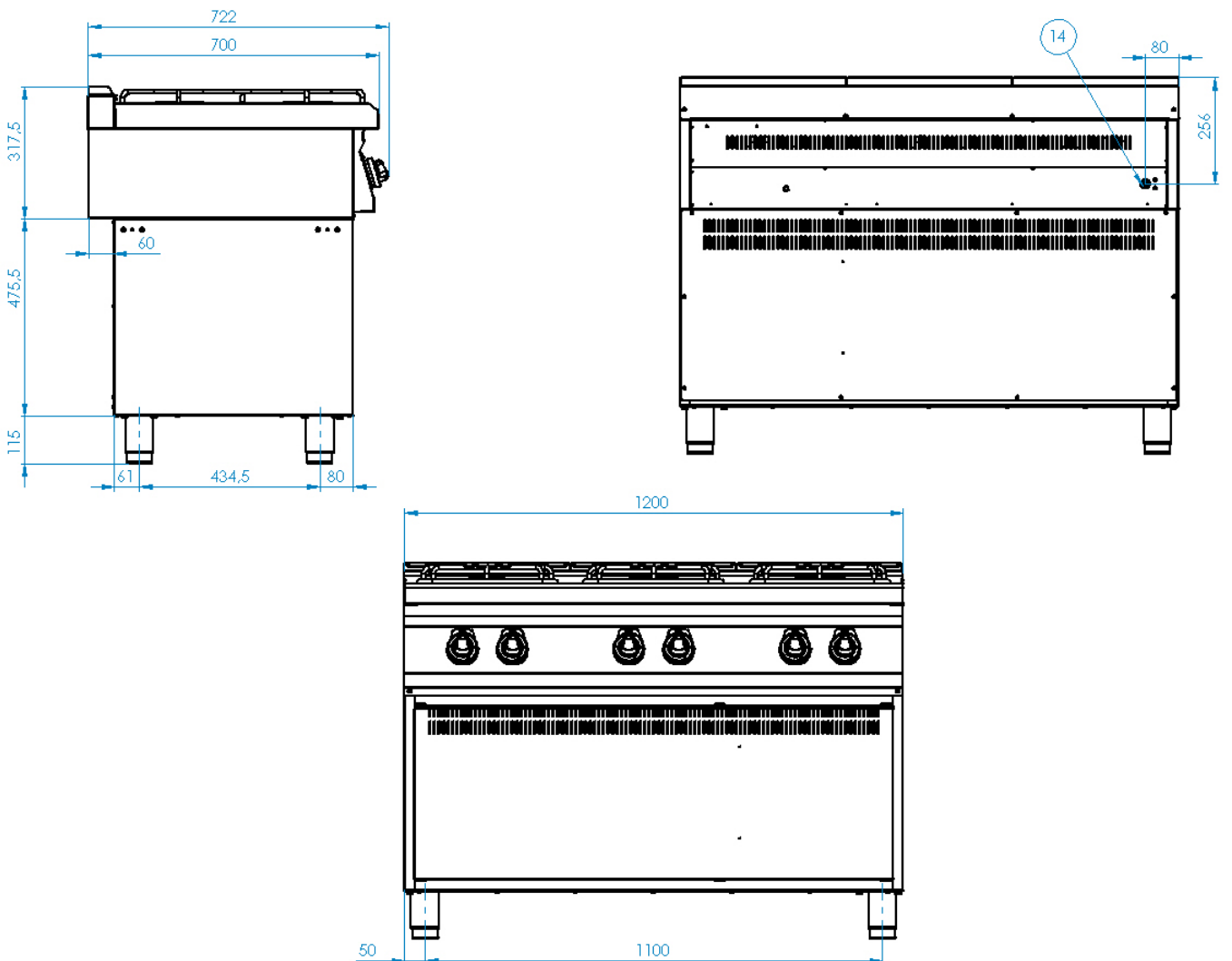
SPB-70/40 G



SPB-70/80 G



SPB-70/120 G



PROHLÁŠENÍ O SOULADU S NORMAMI

Výrobce prohlašuje, že přístroje jsou v souladu s nařízením 2014/30/EU, 2014/35/EU, 1935/2004/ES, 2016/426/EU, zákonem č.22/1997 Sb., č. 258/2000 Sb. o ochraně veřejného zdraví, vyhláškou MZ č. 38/2001 Sb. a příslušnými nařízeními vlády. Instalace musí být uskutečněna s ohledem na platné normy.

Pozor, výrobce se vzdává jakékoli odpovědnosti v případě přímých i nepřímých poškození, které se vztahují ke špatné instalaci, nesprávným zásahem nebo úpravami, nedostatečnou údržbou, nesprávným používáním, a které jsou eventuálně způsobeny jinými příčinami, jež uvádí body uvedené v podmínkách prodeje. Tento spotřebič je určen pouze pro odborné používání a musí být obsluhován kvalifikovanými osobami. Části, které byly po nastavení zajištěny výrobcem nebo pověřeným pracovníkem, nesmí uživatel přestavovat.

TECHNICKÁ DATA

Štítek s technickými údaji je umístěn na boku či zadním panelu přístroje. Před instalací si prostudujte schéma zapojení v příloženém návodu.

Model	Hořáky	Celkový výkon (kW)	Rozměry (mm)
SPB - 70/04 G	(1x 6kW) + (1x 3,5)	9,5	400 x 720 x 330
SPB - 70/08 G	(3x 6kW) + (1x 3,5)	21,5	800 x 720 x 330
SPB - 70/012 G	(4x 6kW) + (2x 3,5)	31	1200 x 720 x 330
SPB - 70/40 G	(1x 6kW) + (1x 3,5)	9,5	400 x 720 x 908
SPB - 70/80 G	(3x 6kW) + (1x 3,5)	21,5	800 x 720 x 908
SPB - 70/120 G	(4x 6kW) + (2x 3,5)	31	1200 x 720 x 908

Data	Druh plynu						
	G30 28-30 mbar	G30 37 mbar	G30 50 mbar	G20 20 mbar	G25 25 mbar	G25 20 mbar	G20 25 mbar
Hořák 3,5 kW							
Tryska (1/100mm)	92	90	80	140	145	155	130
Přívod vzduchu H=mm	5	5	5	1,5	1,5	1,5	1,5
Spotřeba plynu	0,276 kg/h	0,276kg/h	0,276 kg/h	0,370 m ³ /h	0,431 m ³ /h	0,431 m ³ /h	0,370 m ³ /h
Hořák 6 kW							
Tryska (1/100mm)	125	115	105	190	200	215	180
Přívod vzduchu H=mm	6	6	6	2,5	2,5	2,5	2,5
Spotřeba plynu	0,473 kg/h	0,473 kg/h	0,473 kg/h	0,635 m ³ /h	0,738 m ³ /h	0,738 m ³ /h	0,635 m ³ /h

Data	Druh plynu					
	G25.1 25 mbar	G2.350 13 mbar	G27 20 mbar	G31 30-37 mbar	G31 37 mbar	G31 50 mbar
Hořák 3,5 kW						
Tryska (1/100mm)	150	195	160	92	90	80
Přívod vzduchu H=mm	1,5	1,5	1,5	5	5	5
Spotřeba plynu	0,430 m ³ /h	0,514 m ³ /h	0,452 m ³ /h	0,272 kg/h	0,272 kg/h	0,272 kg/h
Hořák 6 kW						
Tryska (1/100mm)	210	300	225	125	115	105
Přívod vzduchu H=mm	2,5	2,5	2,5	6	6	6
Spotřeba plynu	0,737 m ³ /h	0,882 m ³ /h	0,774 m ³ /h	0,466 kg/h	0,466 kg/h	0,466 kg/h

Části, které byly nastaveny výrobcem, nebo servisním technikem při instalaci, nesmí být obsluhou přenastavovány.

Maximální a snížený jmenovitý tepelný příkon v kW je vztažen k Hi použitého plynu.

V případě připojení výrobku na LPG, musí být plynová láhev v dostatečně větraných místnostech.

Tabulka plynů, pro které je výrobek určen

Provedení	Kategorie výrobků	Připojovací přetlaky [mbar]	Použitý plyn	Země určení
A1	I2E	20	G20	DE, NL, PL, RO
	I2ELL	20, 20	G20, G25	DE
	I2E+	20/25	G20/G25	BE, FR
	I2H	25	G20	HU
	I2H	20	G20	AT, BG, CH, CZ, DK, HR, EE, ES, FI, GB, GR, IE, IT, LT, LV, NO, PT, RO, SE, SI, SK, TR, LU, CY, FR
	I2L	25	G25	FR
	I2L	20	G25	RO
	I2Lw	20	G27	PL
	I3B/P	30	G30	BG, CY, CZ, DK, GB, HR, EE, FI, FR, GR, HU, IT, LT, LV, MT, NL, NO, RO, SE, SI, SK, TR
	I3B/P	37	G30	PL
	I3B/P	50	G30	AT, DE, CZ, CH, FR, SK
	I3P	37	G31	BE, CH, CZ, ES, GB, GR, IE, RO, SI, SK, FR, NL, PT, HR, IT, LT, PL, TR
	I3+	28-30/37	G30	BE, CH, CY, CZ, EE, ES, FR, GB, GR, IE, IT, LT, PT, SI, SK, TR
	I12E3B/P	20, 50	G20, G30	DE, PL, RO
	I12ELL-3B/P	20, 20, 50	G20, G25, G30	DE
	I12E+3+	20/25, 28-30/37	G20/G25, G30	BE, FR
	I12E+3P	20/25, 37	G20/G25, G31	BE, FR
	I12H3B/P	20, 30	G20, G30	BG, CZ, GB, DK, HR, EE, FI, GR, IT, LT, LV, NO, RO, SE, SI, SK, TR, CY, FR
	I12H3B/P	20, 50	G20, G30	AT, CH, CZ, FR, SK
	I12H3P	20, 37	G20, G31	CH, CZ, ES, GB, GR, IE, RO, SI, SK
	I12H3+	20, 28-30/37	G20, G30	CH, CY, CZ, EE, ES, GB, GR, IE, IT, LT, PT, SK, SI, TR
	I12L3B/P	25, 30	G25, G30	NL
	I12L3B/P	25, 50	G25, G30	NL
I12L3B/P	20, 30	G25, G30	RO	
I12H-S3B/P	25, 25, 30	G20, G25.1, G30	HU	

KONTROLA OBALU A ZAŘÍZENÍ

Zařízení opouští naše sklady v řádném obalu, na kterém jsou odpovídající symboly a označení. V obalu se nachází odpovídající návod k obsluze. Jestliže by obal měl vykazovat špatné zacházení, známky poškození, musí se okamžitě reklamovat u přepravce a to sepsáním a podepsáním protokolu o škodě. Na pozdější reklamace nebude brán zřetel.

Důležité upozornění

Tento návod musí být řádně a pozorně přečten, protože obsahuje důležité informace o bezpečnostních prvcích, instalaci a použití.

- Výrobek je určen pouze k používání ve vnitřních prostorách.
- Nikdy spotřebič nepoužívejte, pokud má poškozený napájecí přívod nebo vidlici, pokud nepracuje správně, upadl na zem a poškodil se nebo spadl do vody. V takových případech zanechte spotřebič do odborného servisu k prověření jeho bezpečnosti a správné funkce
- Tato doporučení se vztahují na tento výrobek, nebo produktovou linii.
- Tento návod se musí řádně uschovat pro budoucí použití.
- Zabraňte dětem manipulovat s přístrojem.
- Při prodeji nebo přemístění je nutno se přesvědčit, že obsluha nebo odborný servis se seznámil s ovládáním a instalačními pokyny v příloženém návodu.
- Výrobek smí obsluhovat pouze obsluha, která se seznámila s tímto návodem k použití.
- Nesmí být spuštěn bez dozoru.
- Doporučuje se kontrola odborným servisem minimálně 2x ročně.
- Při eventuální opravě nebo výměně dílů musí být použity originální náhradní díly.
- Výrobek se nesmí čistit proudem vody nebo tlakovou sprchou.
- Při poruše nebo špatném chodu výrobku je nutné odpojit veškeré přívody (voda, elektřina, plyn) a zavolat autorizovaný servis.
- Výrobce se vzdává jakékoli zodpovědnosti při poruchách způsobenými chybnou instalací, nedodržením shora uvedených doporučení, jiným užíváním apod.
- Přístroj se smí používat pouze k účelu, ke kterému je určený, jiné použití je zakázané a může vést ke vzniku nebezpečí či úrazu
- Musí být zajištěno nejprísnější dodržování pravidel protipožární ochrany
- Za provozu a krátce po něm jsou některé části spotřebiče horké
- Je zakázáno se během provozu dotýkat jiných částí spotřebiče, než ovládacích prvků k tomu určených

UMÍSTĚNÍ

Ke správné činnosti a umístění spotřebiče je nutné dodržet následující směrnice dle norem TPG G 704 01, ČSN 127040 a ČSN 127010.

Rozbalte přístroj a zkontrolujte, zda se přístroj nepoškodil během přepravy. Umístěte přístroj na vodorovnou plochu (maximální nerovnost do 2°). Drobné nerovnosti lze vyrovnat regulovatelnými nožičkami.

Jestliže zařízení bude umístěno tak, že bude v kontaktu se stěnami nábytku, tyto musí odolávat teplotě až 60°C. Instalaci, seřízení, uvedení do provozu musí provést kvalifikovaná osoba, která má k takovýmto úkonům oprávnění a to dle platných norem.

Přístroj může být instalován samostatně nebo v sérii s přístroji naší výroby. Je nutno dodržovat minimální vzdálenost 10 cm od hořlavých materiálů. V tomto případě je nutné zabezpečit odpovídající úpravy, aby byla zabezpečena tepelná izolace hořlavých částí.

Spotřebič se musí instalovat pouze na nehořlavém povrchu nebo u nehořlavé stěny.

Nejmenší požadovaný průtok vzduchu z venkovního prostoru pro spotřebiče v provedení A je v rozmezí 5-20 m³/h, dle typu spotřebiče. Zaleží na instalačních předpisech pro danou zemi určení.

Součásti spotřebiče zajištěné výrobcem, nebo jeho zástupcem nesmí pracovník provádějící instalaci výrobku přestavovat.

Zařízení musí být instalováno ve vhodně větraném prostředí.

INSTALACE

⚠ Důležité:

Výrobce neposkytuje žádnou záruku na závady, vzniklé v důsledku nesprávného používání, nedodržování instrukcí obsažených v příloženém návodu k použití a špatným zacházením se spotřebiči.

Instalaci, úpravy a opravy spotřebičů pro velkokuchyně, tak jako i jejich demontáž z důvodu možného poškození přívodu plynu, mohou být prováděny pouze na základě smlouvy o údržbě, tato smlouva může být uzavřena s autorizovaným prodejcem, přičemž musí být dodržovány technické předpisy a normy a předpisy týkající se instalace, elektrického přívodu, plynové přípojky a bezpečnosti práce.

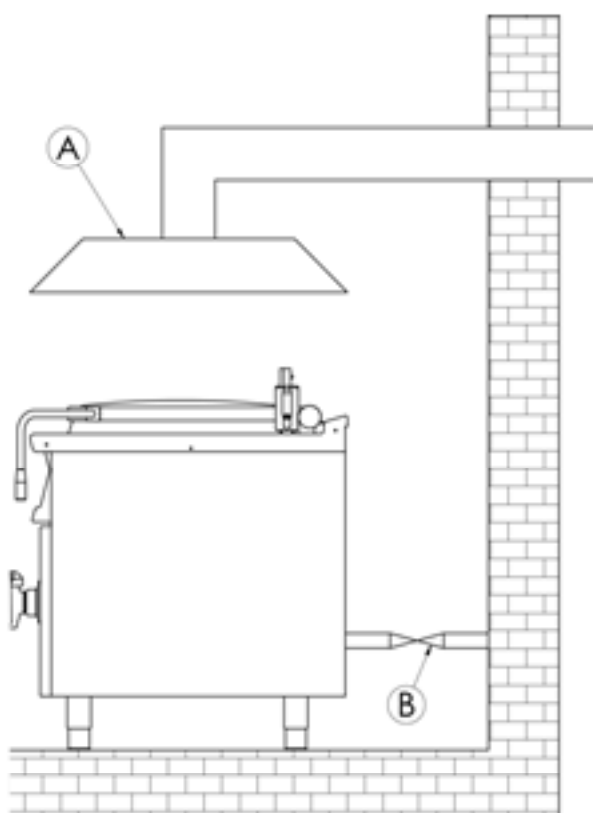
Technické instrukce pro instalaci a seřízení, k použití POUZE pro specializované techniky.

Instrukce, které následují, se obrací k technikovi kvalifi kovanému pro instalaci, aby provedl všechny operace způsobem co nejkorektnějším a podle platných norem.

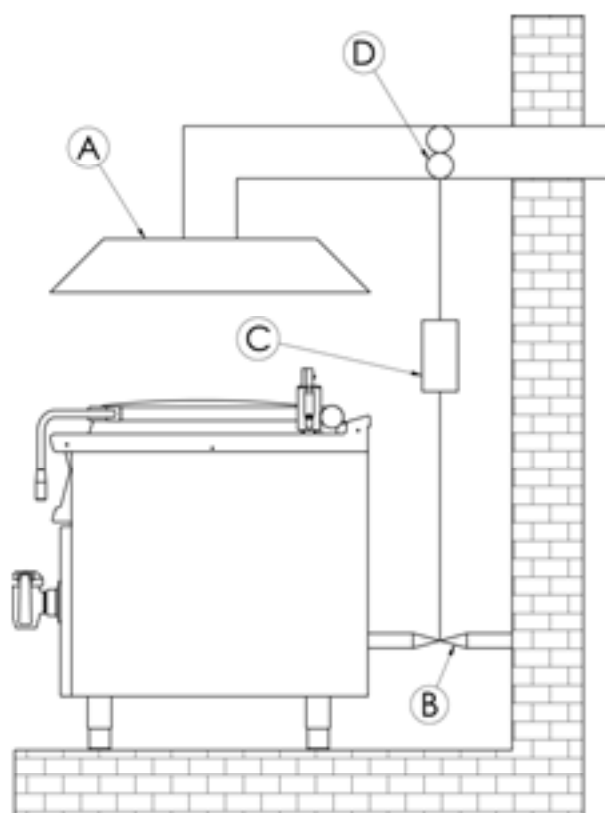
Jakákoli činnost spojená s regulací apod. musí být vykonána pouze se zařízením odpojeným ze

PROVEDENÍ ODTAHU PLYNU

PŘIROZENÝ ODTAH



NUCENÝ ODTAH



Vyústění digestoře je do samostatného komínového tělesa (A). Odtah spalin zabezpečuje přirozený tah komínu.

Vyústění digestoře je bez přirozeného odtahu. Odtah spalin je zabezpečován pomocí ventilátoru (D), (nucený odtah). V tomto případě je nezbytné zabezpečit propojení s přívodem plynu (B) pro vypnutí přívodu plynu při výpadku.

BEZPEČNOSTNÍ OPATŘENÍ Z HLEDISKA POŽÁRNÍ OCHRANY PODLE

ČSN 061008 ČL. 21

- obsluhu spotřebiče smí provádět pouze dospělé osoby
- spotřebič smí být bezpečně používán v souladu s normami:
ČSN 33 2000-4-482: Ochrana proti požáru v prostorách se zvláštním rizikem nebo nebezpečím
ČSN 33 2000-4-42: Ochrana před účinky tepla

- spotřebič je nutné umístit tak, aby stál nebo visel pevně na nehořlavém podkladu

Na spotřebič a do vzdálenosti menší než bezpečná vzdálenost od něho nesmějí být kladeny předměty z hořlavých hmot (nejmenší vzdálenost spotřebiče od hořlavých hmot je 10 cm).

Tabulka: stupeň hořlavosti stavební hmoty zařazené do st. hořlavosti (ČSN 730823) hmot a výrobků

Stupeň hořlavosti	Stavební hmoty
A - nehořlavé	žula, pískovec, betony, cihly, keramické obkladačky, omítky
B - nesnadno hořlavé	akumin, heraklit, lihnos, itaver
C1 - těžce hořlavé	dřevo, listnaté, překližky sirkoklit, tvrzený papír, umakart
C2 - středně hořlavé	dřevotřískové desky, solodur, korkové desky, pryž, podlahoviny
C3 - lehce hořlavé	dřevovláknité desky, polystyrén, polyureten, PVC

• informace o stupni hořlavosti běžných stavebních hmot uvádí tabulka výše. Spotřebiče musí být instalovány bezpečným způsobem. Při instalaci musí být dále respektovány příslušné projektové, bezpečnostní a hygienické předpisy dle:

- ČSN 06 1008 požární bezpečnost lokálních spotřebičů a zdrojů tepla
- ČSN 33 2000-4-482 ochrana proti požáru v prostorách se zvláštním rizikem nebo nebezpečím
- ČSN 33 2000-4-42 ochrana před účinky tepla

TRUBKA PRO PŘIPOJENÍ PLYNU

Plyn musí být připojen trubkou o maximální délce 1,5 metru z pozinkované oceli, mědi nebo ohebnou ocelovou hadicí a to v souladu s platnými normami dané země. Každý přístroj musí mít uzavíratelný kohout u přívodu, aby se dal snadno zastavit přívod plynu. Po instalaci přístroje musíme zkontrolovat případné úniky plynu. Nikdy nekontrolujte úniky otevřeným ohněm. Pro kontrolu úniku plynu je nutno použít materiály, které nezpůsobují korozi např. roztok mýdlové vody. Přístroje prošly důkladnou kontrolou u výrobce, údaje o druhu plynu, tlaku a typu přístroje jsou uvedeny na štítku s charakteristikami. Lahve na LPG musí být vybaveny regulátorem, který odpovídá přetlakům plynu na výrobním štítku zařízení v souladu s platnou legislativou dané země určení.

KONTROLA NASTAVENÍ PŘÍSTROJE NA DRUH PLYNU

Naše spotřebiče jsou certifikovány a regulovány pro zemní plyn (viz. typový štítek). Přestavba nebo přizpůsobení na jiný typ plynu musí být provedena pouze oprávněným technikem. Trysky na různé typy plynu jsou v sáčku, přibaleném ke sporáku a jsou označeny v setinách mm.

Výměna trysek a seřízení hořáků (viz. obr. níže):

Při výměně trysky hlavního hořáku je třeba postupovat následujícím způsobem:

- 1) sejměte ovládací knoflíky z předního panelu (obr.1, poz.1)
- 2) demontujte přední panel (obr.1, poz.2)
- 3) pro usnadnění přístupu doporučujeme demontáž také zadního panelu (pokud je to možné) (obr.1, poz.3)
- 4) Nastavíme přívod vzduchu pro příslušný plyn (obr. 3) dle tabulky „TECHNICKÁ DATA HOŘÁKŮ“

Důležité:

Poté, co bylo provedeno seřízení spotřebiče na jiný typ plynu, je nutné změnu plynu vyznačit na štítku spotřebiče a provést následující kroky:

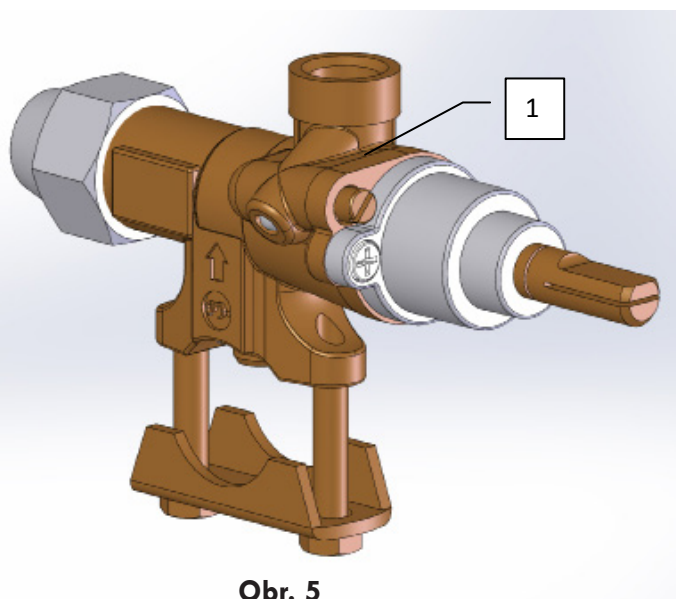
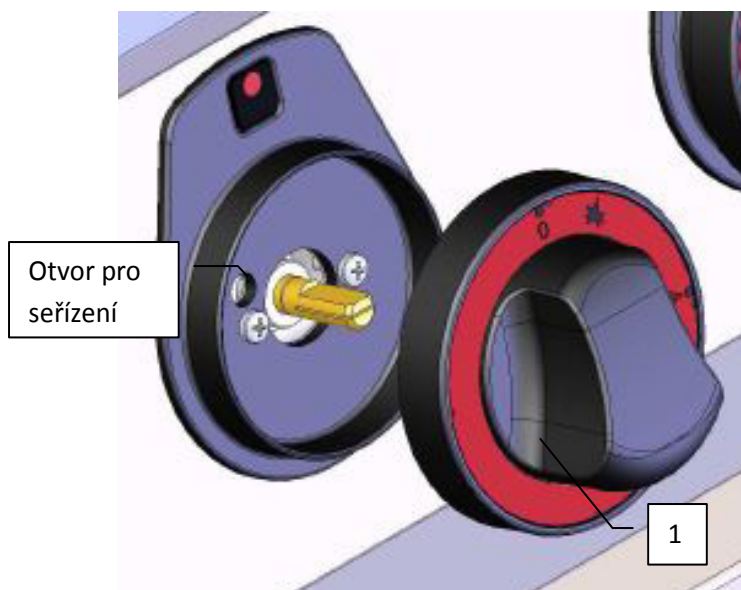
- Zkontrolovat případné úniky plynu
- Zkontrolovat zažehnutí a plamen hlavního hořáku
- Zkontrolovat plamen hlavního hořáku na min. výkon „SPORO“

Plamen při nastavení kohoutu na snížený výkon „SPORO“ seřídíme šroubkem v těle kohoutu (poz. 1, obr. 5) vedle hřídele kohoutu.

Pro seřízení postupujte takto:

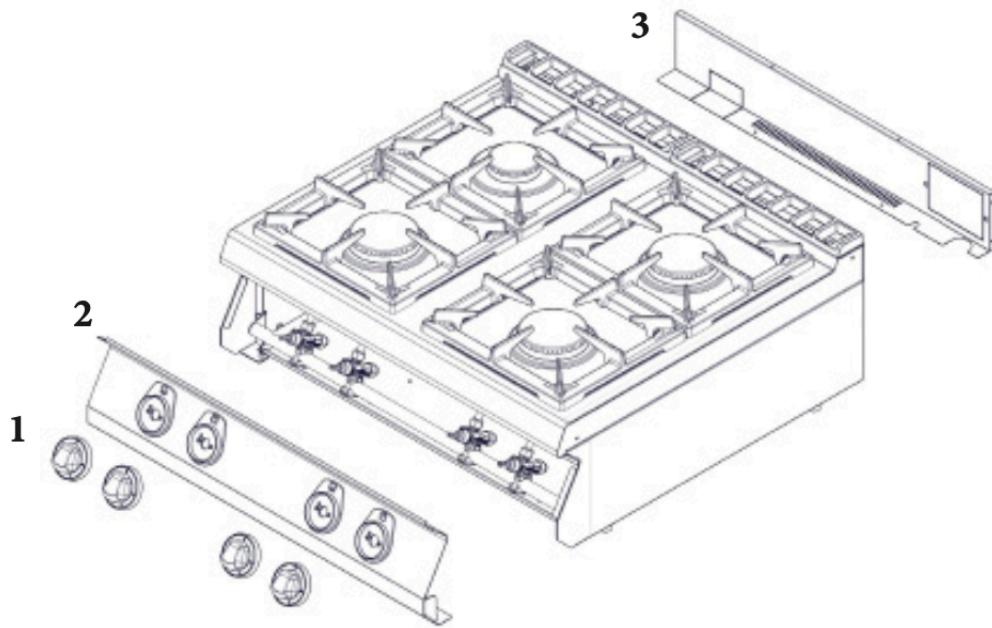
- Sejměte regulační knoflík (poz. 1, obr. 4) tahem k sobě
- Vedle hřídele kohoutu je otvor pro seřízení, pomocí plochého šroubováku seřídíte plamen

SEŘÍZENÍ PLAMENE PŘI SNÍŽENÉM VÝKONU „SPORO“

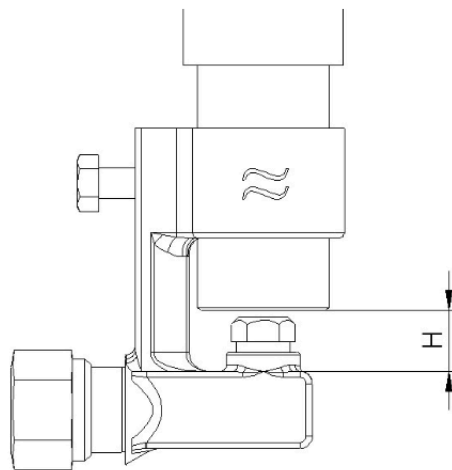


Obr. 5

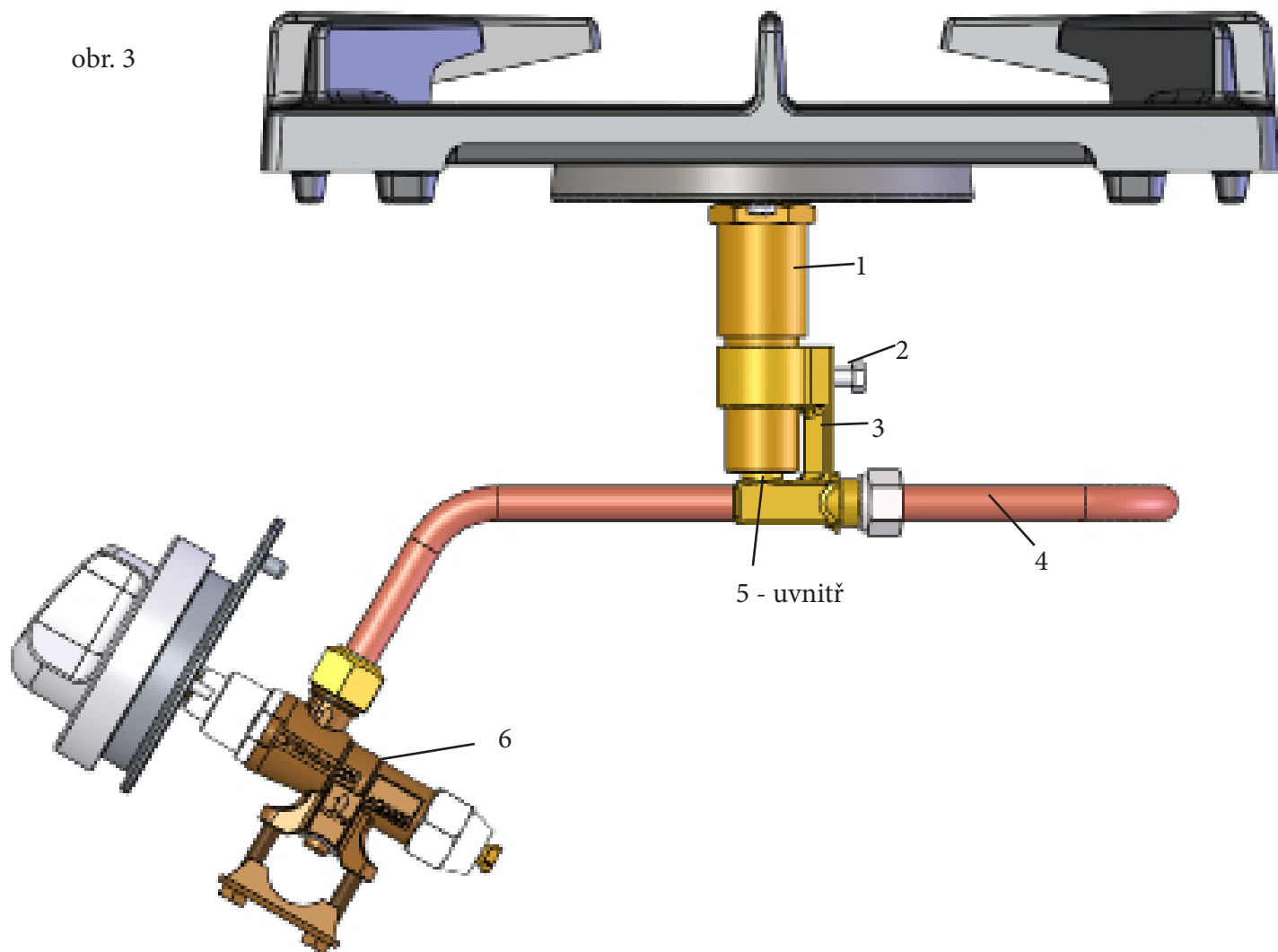
obr. 1



obr. 4



obr. 3



Kusovník:

- 1-Trubka hořáku
- 2-Šroub M5x16 zn IMBUS
- 3-Držák trysky
- 4-Trubička přívodní – měděná
- 5-Tryska hořáku
- 6-Plynový kohout

Postup výměny trysky:

- 1) Povolíme šroub M5x16 zn IMBUS (pozice 2)
- 2) Posuneme držák trysky (pozice 3) směrem dolů
- 3) Pomocí klíče vyšroubujeme trysku /pozice 5) a vyměníme ji za požadovanou velikost
- 4) Držák trysky posuneme směrem nahoru na vzdálenost H
- 5) Utáhneme šroub M5x16 zn IMBUS

Vzdálenost H znamená jmenovitý rozměr v mm mezi držákem trysky a trubicí hořáku (pozice 1).
Hodnoty jsou ověřené zkušební ústavem

NÁVOD K POUŽITÍ

Pozor! Než-li začnete přístroj používat, je nutné z celého povrchu sejmout ochranné fólie, a pak jej dobře omýt vodou se saponátem na nádobí, a poté otřít vlhkým hadrem.

Zapálení a regulace hořáku

Dejte reg. knoflík kohoutu příslušného hořáku (1) do polohy “ zapálení hlavního hořáku ” poté jej stiskněte a držte jej, pomocí zápalky nebo zapalovače zapalte hořák. Po zapálení hořáku držte knoflík číslo (1) stisknutý ještě několik sekund, než se zahřeje termopojistka, poté knoflík uvolněte. Pokud plamen zhasne, celý postup opakujte.

Snížený výkon sporo

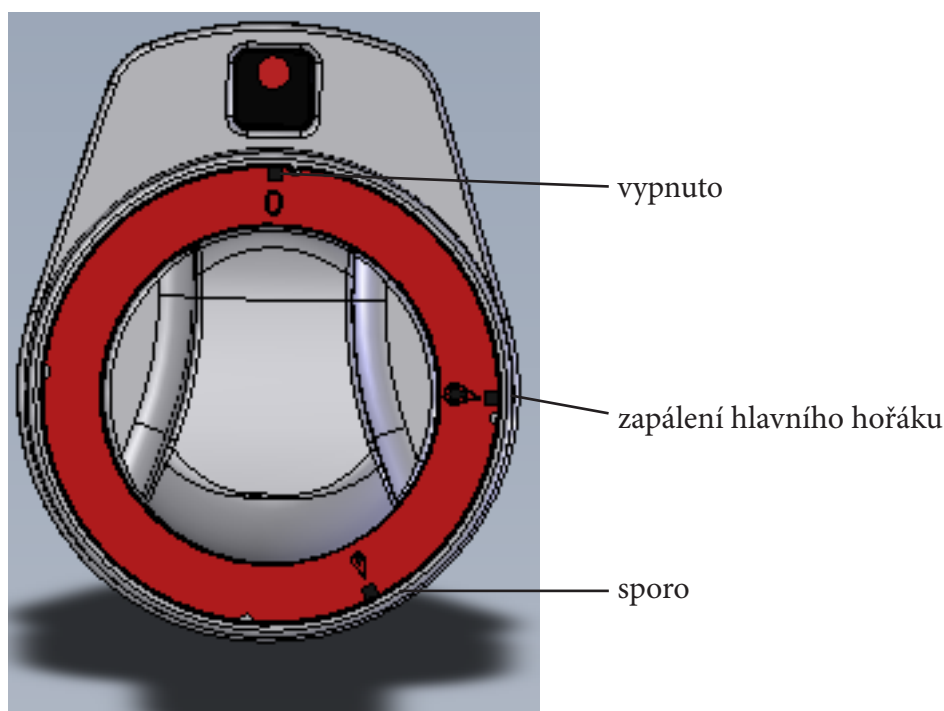
Otočením knoflíku (1) do polohy “ sporo “ nastavíte hoření hořáku na sporo (snížený výkon)

Vypnutí příslušného hořáku

Stačí otočit knoflíkem (1) do polohy “ 0 “

Návod na odtah spalin plynu

Přístroje typu A (viz štítek s charakteristikami) Spotřebič provedení A (t.j. spotřebič, který není určen ke spojení s kouřovodem, nebo jiným zařízením pro odvádění spalin mimo prostor, v němž je umístěn) musí být instalován v prostorech s dostatečným větráním, které je provedené dle ČSN 12 7010:1986 a ČSN 12 7040:1986 tak, aby se v těchto prostorech zabránilo hromadění zdraví škodlivých látek v nepřijatelné koncentraci (zabezpečení požadavku hygienického předpisu na pracovní prostředí sv.39/78 směrnice 46.



1

ČIŠTĚNÍ A ÚDRŽBA

POZOR! Zařízení se nesmí čistit přímou nebo tlakovou vodou. Čistěte zařízení denně. Denní údržba prodlužuje životnost a účinnost zařízení. Sejměte rošt, který můžete mýt v myčce nádobí nebo ve dřezu. Nerezové části čistěte vlhkým hadrem se saponátem bez hrubých částic, poté vše otřete vlhkým hadrem a vytřete do sucha.

RADY PRO ČIŠTĚNÍ URČITÝCH ČÁSTÍ

Hořáky:

Sundejte vrchní díl hořáku a rozprašovač plamene, dejte je odmočit do teplé vody a pečlivě je omýjte, dávejte pozor, aby se dovnitř hořáku nedostala nečistota nebo voda, protože by se mohla zacpat tryska.

Pozor! Než-li začnete přístroj používat, je nutné z celého povrchu sejmout ochranné fólie, a pak jej dobře omýt vodou se saponátem na nádobí, a poté otřít vlhkým hadrem.

Jak postupovat v případě poruchy?

Vypněte elektrický a plynový přívod a zavolejte servisní organizaci prodejce.

UPOZORNĚNÍ

Záruka se navztahuje na všechny spotřební díly podléhající běžnému opotřebení (gumová těsnění, žárovky, skleněné a plastové díly atd.). Záruka se též nevztahuje na zařízení pokud není provedena instalace v souladu s návodem – oprávněným pracovníkem dle odpovídajících norem a pokud bylo se zařízením neodborně manipulováno (zásahy do vnitřního zařízení atd.) nebo bylo obsluhováno nezaškoleným personálem a v rozporu s návodem k použití, dále se záruka nevztahuje na poškození přírodními vlivy či jiným vnějším zásahem.

Přepravní obaly a zařízení po ukončení životnosti odevzdejte do sběru, dle předpisů o nakládání s odpadem a nebezpečným odpadem.

OŚWIADCZENIE ZGODNOŚCI Z NORMAMI

Producent oświadcza, że urządzenia są wykonane według polskich norm i przepisów Unii Europejskiej. Montaż musi być przeprowadzony zgodnie z obowiązującymi normami, zwłaszcza w kwestii odpowiedniego wietrzenia pomieszczeń i systemu odprowadzenia spalin.

Uwaga!

Producent nie odpowiada za szkody wynikłe pośrednio lub bezpośrednio przez: złą instalację, niewłaściwą obsługę lub przeróbki, niedostateczną konserwację lub inne przyczyny niezgodne z punktami warunków sprzedaży. Urządzenie to przeznaczone jest do profesjonalnego użytkowania i musi być obsługiwane osobami o odpowiedniej kwalifikacji. Części, które były po nastawieniu zabezpieczone przez producenta lub pracownika serwisu nie mogą być zmieniane.

DANE TECHNICZNE

Tabliczka znamionowa znajduje się na tylnej części obudowy urządzenia. Przed instalacją zaleca się zapoznanie z instrukcją obsługi i wszystkimi niżej umieszczonymi informacjami.

Model	Typ palnika	Moc całkowita (kW)	Wymiary (mm)
SPB - 70/04 G	(1x 6kW) + (1x 3,5)	9,5	400 x 720 x 313
SPB - 70/08 G	(3x 6kW) + (1x 3,5)	21,5	800 x 720 x 313
SPB - 70/012 G	(4x 6kW) + (2x 3,5)	31	1200 x 720 x 330
SPB - 70/40 G	(1x 6kW) + (1x 3,5)	9,5	400 x 720 x 908
SPB - 70/80 G	(3x 6kW) + (1x 3,5)	21,5	800 x 720 x 908
SPB - 70/120 G	(4x 6kW) + (2x 3,5)	31	1200 x 720 x 908

Data	Rodzaj gazu						
	G30 28-30 mbar	G30 37 mbar	G30 50 mbar	G20 20 mbar	G25 25 mbar	G25 20 mbar	G20 25 mbar
Palnik 3,5 kW							
DYSZA PALNIKA (1/100MM)	92	88	80	140	145	155	130
POWIETRZE H=MM	5	5	5	1,5	1,5	1,5	1,5
ZUŻYCIE	0,276 kg/h	0,276kg/h	0,276 kg/h	0,370 m ³ /h	0,431 m ³ /h	0,431 m ³ /h	0,370 m ³ /h
Palnik 6 kW							
DYSZA PALNIKA (1/100MM)	125	115	105	190	200	215	180
POWIETRZE H=MM	6	6	6	2,5	2,5	2,5	2,5
ZUŻYCIE	0,473 kg/h	0,473 kg/h	0,473 kg/h	0,635 m ³ /h	0,738 m ³ /h	0,738 m ³ /h	0,635 m ³ /h

Data	Druh plynu					
	G25.1 25 mbar	G2.350 13 mbar	G27 20 mbar	G31 30-37 mbar	G31 37 mbar	G31 50 mbar
Palnik 3,5 kW						
DYSZA PALNIKA (1/100MM)	150	195	160	92	88	80
POWIETRZE H=MM	1,5	1,5	1,5	5	5	5
ZUŻYCIE	0,430 m ³ /h	0,514 m ³ /h	0,452 m ³ /h	0,272 kg/h	0,272 kg/h	0,272 kg/h
Palnik 6 kW						
DYSZA PALNIKA (1/100MM)	210	300	225	125	115	105
POWIETRZE H=MM	2,5	2,5	2,5	6	6	6
ZUŻYCIE	0,737 m ³ /h	0,882 m ³ /h	0,774 m ³ /h	0,466 kg/h	0,466 kg/h	0,466 kg/h

Części, które zostały ustawione przez producenta lub technika serwisowego podczas instalacji, nie mogą być ponownie ustawiane przez operatora.

Maksymalny i zredukowany nominalny pobór ciepła w kW jest związany z Hi używanego gazu.

Jeśli produkt jest podłączony do zasilania gazem LPG, butla z gazem musi znajdować się w odpowiednio wentylowanym pomieszczeniu.

Tabela gazów, dla których przeznaczony jest wyrób

Provedení	Kategorie výrobků	Připojovací přetlaky [mbar]	Použitý plyn	Země určení
A1	I2E	20	G20	DE, NL, PL, RO
	I2ELL	20, 20	G20, G25	DE
	I2E+	20/25	G20/G25	BE, FR
	I2H	25	G20	HU
	I2H	20	G20	AT, BG, CH, CZ, DK, HR, EE, ES, FI, GB, GR, IE, IT, LT, LV, NO, PT, RO, SE, SI, SK, TR, LU, CY, FR
	I2L	25	G25	FR
	I2L	20	G25	RO
	I2Lw	20	G27	PL
	I3B/P	30	G30	BG, CY, CZ, DK, GB, HR, EE, FI, FR, GR, HU, IT, LT, LV, MT, NL, NO, RO, SE, SI, SK, TR
	I3B/P	37	G30	PL
	I3B/P	50	G30	AT, DE, CZ, CH, FR, SK
	I3P	37	G31	BE, CH, CZ, ES, GB, GR, IE, RO, SI, SK, FR, NL, PT, HR, IT, LT, PL, TR
	I3+	28-30/37	G30	BE, CH, CY, CZ, EE, ES, FR, GB, GR, IE, IT, LT, PT, SI, SK, TR
	I12E3B/P	20, 50	G20, G30	DE, PL, RO
	I12ELL-3B/P	20, 20, 50	G20, G25, G30	DE
	I12E+3+	20/25, 28-30/37	G20/G25, G30	BE, FR
	I12E+3P	20/25, 37	G20/G25, G31	BE, FR
	I12H3B/P	20, 30	G20, G30	BG, CZ, GB, DK, HR, EE, FI, GR, IT, LT, LV, NO, RO, SE, SI, SK, TR, CY, FR
	I12H3B/P	20, 50	G20, G30	AT, CH, CZ, FR, SK
	I12H3P	20, 37	G20, G31	CH, CZ, ES, GB, GR, IE, RO, SI, SK
	I12H3+	20, 28-30/37	G20, G30	CH, CY, CZ, EE, ES, GB, GR, IE, IT, LT, PT, SK, SI, TR
	I12L3B/P	25, 30	G25, G30	NL
	I12L3B/P	25, 50	G25, G30	NL
I12L3B/P	20, 30	G25, G30	RO	
I12H-S3B/P	25, 25, 30	G20, G25.1, G30	HU	

KONTROLA OPAKOWANIA I URZĄDZENIA

Urządzenie opuszcza zakłady odpowiednio zapakowane, właściwie oznakowane ietykietowane. Posiada również instrukcję obsługi. W przypadku, kiedy opakowanie nosioznaki niewłaściwego traktowania lub uszkodzenia, należy bezzwłocznie zgłosić ten fakt na piśmie u przewoźnika i podpisać protokół szkody.

Ważne

Niniejsza instrukcja powinna być przeczytana z uwagą, ponieważ zawiera ważne informacje bezpieczeństwa, montażu oraz obsługi.

-Produkt nie jest przeznaczony na zewnątrz - tylko do użytku w pomieszczeniach.

-Nigdy nie używaj urządzenia, jeśli przewód zasilający lub wtyczka zostały uszkodzone; jeśli nie działa prawidłowo, spadł na ziemię i został uszkodzony, lub wpadł do wody.

W takich przypadkach należy wezwać autoryzowany serwis lub dostarczyć urządzenie do serwisu, aby było możliwe sprawdzenie bezpieczeństwa i poprawności działania.

· należy uważnie zapoznać się z niniejszą instrukcją obsługi, ponieważ zawiera ona ważne informacje dotyczące elementów bezpieczeństwa, montażu i użytkowania

· podane zalecenia odnoszą się do opisanego produktu

· niniejszy produkt jest zgodny z obowiązującymi normami

· instrukcję należy zachować do przyszłego użytku

· produkt powinien znajdować się poza zasięgiem dzieci

· w razie sprzedaży lub przeniesienia produktu w inne miejsce, należy upewnić się, że personel obsługi oraz serwisanci zapoznali się z zaleceniami dotyczącymi obsługi i instalacji podanymi w załączonej instrukcji

· urządzenie mogą obsługiwać tylko upoważnione do tego osoby

· nie należy pozostawiać włączonego urządzenia bez nadzoru

· zalecamy, aby produkt był sprawdzany przez profesjonalny serwis przynajmniej raz w roku

· w razie napraw, należy używać wyłącznie oryginalnych części zamiennych

 · produktu nie należy czyścić strumieniami wody lub ciśnieniowo

· w razie uszkodzenia lub awarii, należy odłączyć wszystkie przewody zasilające (wodne, gazowe, elektryczne) i wezwać fachowy serwis

· producent nie bierze odpowiedzialności za szkody powstałe z powodu niewłaściwego montażu, nieprzestrzegania powyższych zaleceń, użytkowania niezgodnego z przeznaczeniem, itp.

- Produkt jest przeznaczony do użytku tylko w pomieszczeniach.

Nigdy nie używaj urządzenia, jeśli przewód zasilający lub wtyczka zostały uszkodzone, jeśli nie działa prawidłowo, spadł na ziemię i został uszkodzony lub wpadł do wody. W takich przypadkach należy zanieść urządzenie do specjalistycznej służby, aby sprawdzić jego bezpieczeństwo i prawidłowe działanie

UMIEJSCOWIENIE

Do regulacji i instalacji urządzenia jest konieczne, by pomieszczenie - kuchnia - było odpowiednio wentrowane (wg istniejących norm). Jeżeli urządzenie będzie umieszczone tak, że będzie stykać się ze ścianą pomieszczenia (kuchni), musi być ściana odporna na temperaturę powyżej 60°C.

Ważne jest by po odpakowaniu urządzenia, skontrolować czy urządzenie nie zostało uszkodzone w czasie transportu. Urządzenie umieścić na poziomej powierzchni (z max nierównościami do 2°). Drobne nierówności można wyrównać za pomocą nożek.

Urządzenie może być instalowane oddzielnie lub w serii z innymi urządzeniami naszej produkcji. Jest ważne utrzymać odległość 10 cm od materiałów łatwopalnych. W takim przypadku ważne jest dodatkowe zabezpieczenie materiałami izolującymi.

INFORMACJA O INSTALACJI

Ważne

Producent nie odpowiada za usterki, które powstały na skutek nieodpowiedniej eksploatacji urządzenia wbrew instrukcji obsługi.

Poniższe instrukcje przeznaczone są dla wykwalifii kowanego pracownika autoryzowanego serwisu, aby przeprowadził instalację w poprawny sposób, zgodnie z obowiązującymi normami.

Jakakolwiek regulacja powinna być przeprowadzona przy urządzeniu odłączonym od sieci. Jeśli jednak zaistnieje konieczność regulacji w trakcie pracy urządzenia, należy zachować szczególną ostrożność.

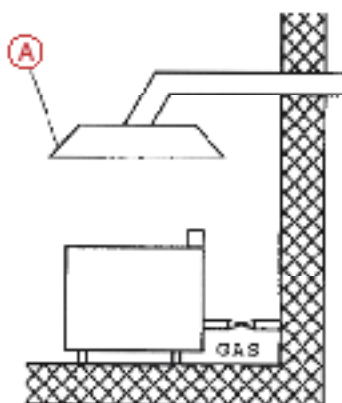
INSTALACJA

Instalacja, naprawy i ustawienia urządzeń do kuchni profesjonalnych i demontaż mogą być przeprowadzane tylko na podstawie umowy o utrzymaniu. Taka umowa może być podpisana ze sprzedawcą urządzenia. Muszą być zachowane wszystkie normy i przepisy dotyczące instalacji i bezpieczeństwa pracy.

Wentylacja pomieszczenia musi być odpowiednio zaprojektowana, wg. istniejących przepisów i norm. Urządzenie może być zainstalowane samodzielnie lub w serii z innymi naszymi urządzeniami. Od ewentualnej ściany z łatwopalnego materiału musi być utrzymany odstęp ponad 10cm.

ODPROWADZANIE SPALIN W URZĄDZENIACH TYPU A

WYCIĄG NATURALNY

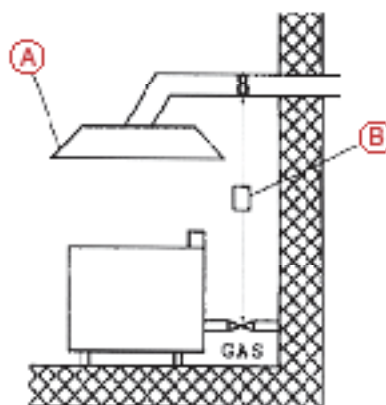


Wyciąg jest umieszczony bezpośrednio nad urządzeniem a wentylacja jest zapewniona przez naturalny ciąg komina.

A - wyciąg

B - sterownik

WYCIĄG WYMUSZONY



Instalacja wentylacyjna nie posiada naturalnego ciągu, lecz jest on wymuszony wentylatorem.

W tym przypadku konieczne jest sprzężenie z zaworem dopływu gazu - w przypadku awarii wentylatora dopływ gazu do urządzenia odcięty.

PRZYŁĄCZE GAZU

Gaz musi być przyłączony materiałami zgodnymi z obowiązującymi normami. Każde urządzenie musi być podłączone przez zawór gazowy, aby było możliwe odłączenie dopływu gazu w przypadku awarii. Po instalacji urządzenia należy sprawdzić czy nie występuje wyciek gazu. Nie należy sprawdzać wycieków gazu otwartym ogniem. Rodzaj gazu, na jaki zostało przystosowane urządzenie, jest wpisany na tabliczce znamionowej.

KONTROLA PODŁĄCZENIA WŁAŚCIWEGO TYPU GAZU

Sprawdzić, czy urządzenie jest przystosowane do typu podłączonego gazu - podłączony gaz powinien być zgodny z oznaczeniem na tabliczce znamionowej.

PODŁĄCZENIE INNEGO TYPU GAZU

Urządzenia są przystosowane do gazu ziemnego. Przystawienie urządzenia na inny typ gazu zasilającego może być wykonane jedynie przez wykwalifikowany personel autoryzowanego serwisu producenta. Dysze na propan-butan są dołączone do urządzenia w osobnym woreczku.

WYMIANA DYSZY PALNIKA GŁÓWNEGO

Przy wymianie dyszy głównego palnika należy postępować w następujący sposób:

- 1) wyjmujemy przyciski sterujące z przedniego panelu (rys.1,nuwaga 1)
- 2) demontujemy przedni panel (rys.1,nuwaga 2)
- 3) dla ułatwienia dostępu zalecamy również demontaż tylnego panelu (jeżeli jest to możliwe) (rys.1,nuwaga 3)
- 4) Doprowadzenie powietrza ustawiamy zgodnie z odpowiednim gazem według tabelki „DANE TECHNICZNE PALNIKÓW“.

Ważne:



Po przestawieniu urządzenia na inny typ gazu należy zmienić opis na tabliczce znamionowej.

Kontrola pracy urządzenia:

- skontrolować ewentualne wycieki gazu
- skontrolować zapalenie i płomień głównego palnika
- skontrolować płomień głównego palnika przy pracy z minimalną mocą
- sprawdzić, czy płomień otacza termoparę i jest barwy niebieskiej
- zaleca się używać urządzenia zgodnie z instrukcją obsługi

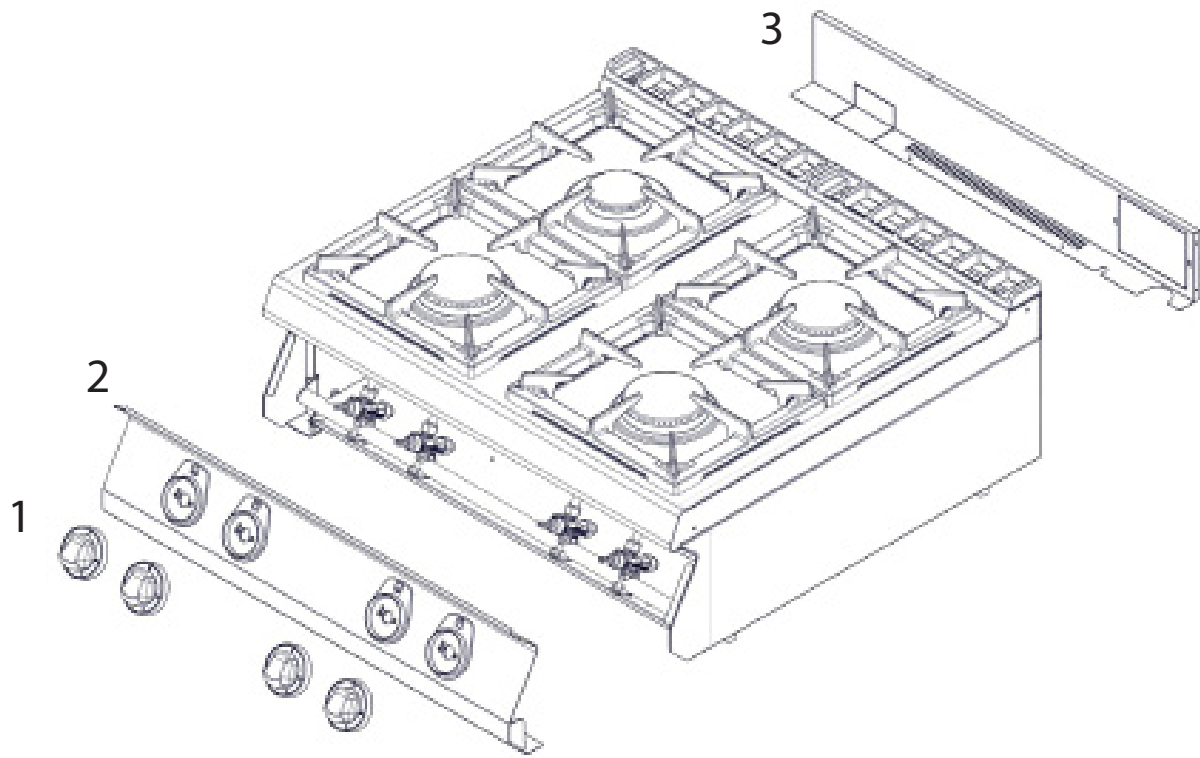
USTAWIENIE MINIMALNEGO PŁOMIENIA (PRZY ZMNIJSZONEJ MOCY)

Płomień minimalny ustawia się za pomocą śrubki znajdującej się w korpusie zaworu gazowego.

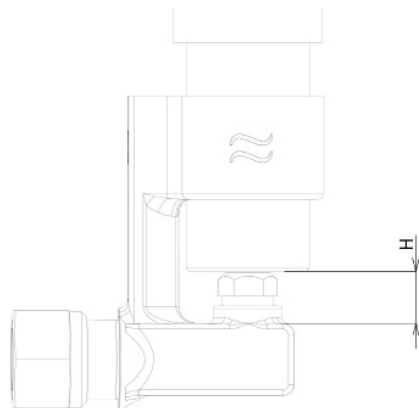
ABY WYREGULOWAĆ NALEŻY:

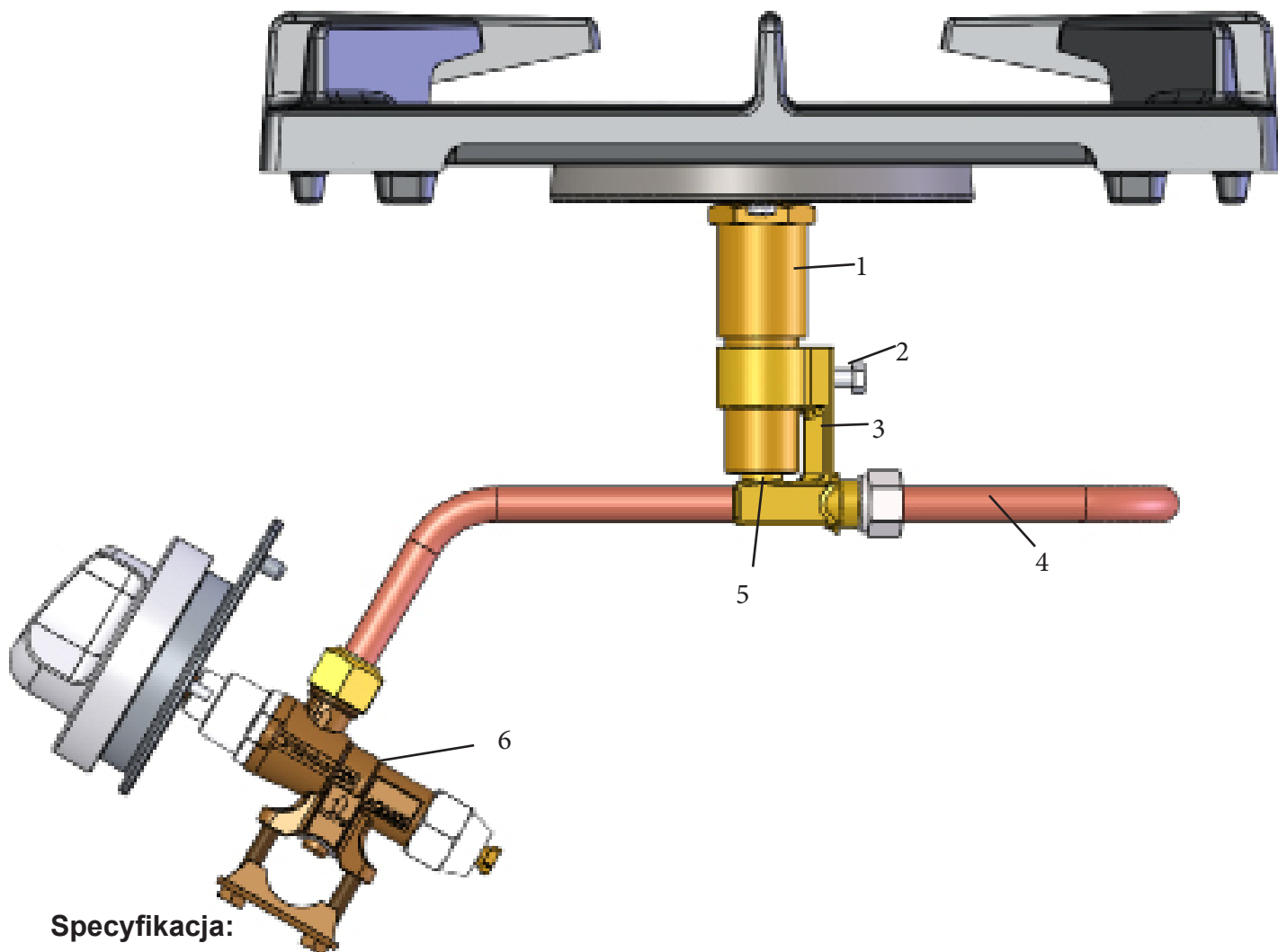
- zdjęć pokrętko regulacyjne (ciągnąć do siebie)
- małym śrubokrętem przez otwór regulacyjny ustawić płomień

rys. 1



rys. 4





Specyfikacja:

- 1- Rurka palnika
- 2- Śruba imbusowa M5x16
- 3- Uchwyt dyszy
- 4- Rurka doprowadzająca – miedziana
- 5- Dysza palnika
- 6- Zawór gazowy

Procedura wymiany dyszy

- 1) Odkręcamy śrubę imbusową M5x16 (pozycja 2)
- 2) Przesuwamy uchwyt dyszy (pozycja 3) w dół
- 3) Za pomocą klucza wykręcamy dyszę / pozycja 5) i wymieniamy ją na dyszę o wymaganej wielkości
- 4) Uchwyt dyszy przesuwamy do góry na odległość H
- 5) Dokręcamy śrubę imbusową M5x16

Odległość H oznacza znamionowy wymiar w mm pomiędzy uchwytem dyszy, a rurką palnika (pozycja 1). Wartości są sprawdzone przez Instytut Badawczy.

INSTRUKCJA OBSŁUGI

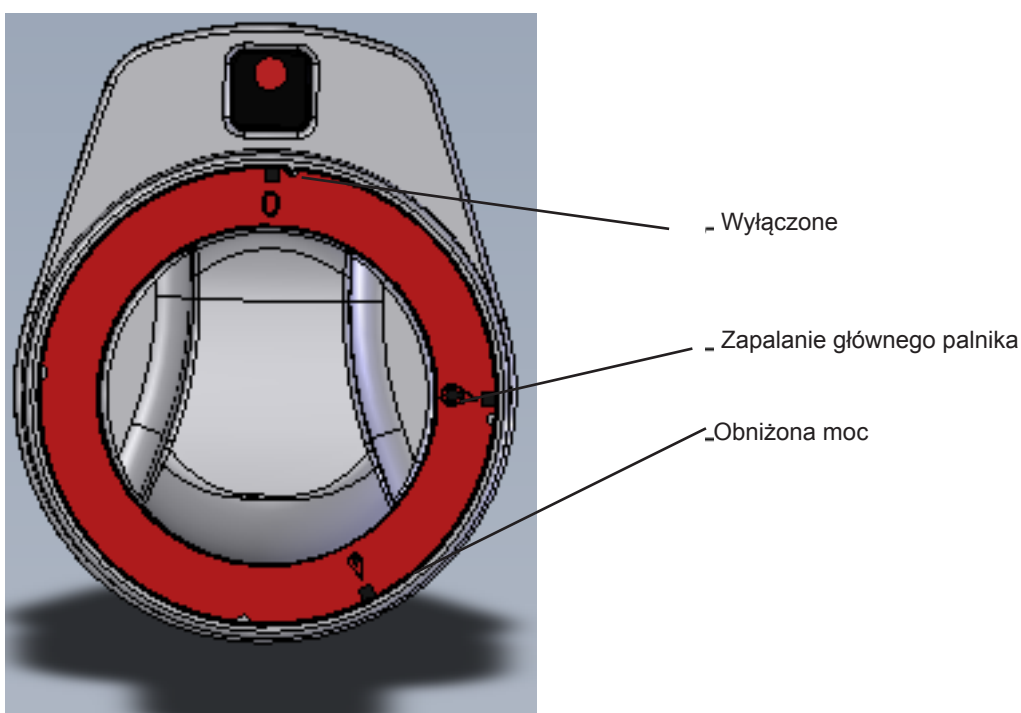
Uwaga! Zanim zaczniemy używać urządzenie należy zdjąć folię ochronną i całość przemyć wodą z płynem do mycia naczyń, a następnie omyć wilgotną szmatką.

ZAPALENIE PALNIKA

Przekręcić pokrętkę regulacji (A) do połowy a następnie nacisnąć i przytrzymać. Zapali się płomień palnika pilotującego, który będzie widoczny przez otwór kontrolny w przednim panelu. Należy jeszcze przez kilka sekund przytrzymać naciśniętą pokrętkę (A), aby termopara nabrała odpowiedniej temperatury, a następnie puścić pokrętkę. Jeśli płomień palnika pilotującego zgaśnie, czynność należy powtórzyć.

ZMNIJSZENIE WIELKOŚCI PŁOMIENIA

Przekręcić pokrętkę (A) na symbol mniejszego płomienia.




CZYSZCZENIE I KONSERWACJA

Zaleca się kontrolę urządzenia przez profesjonalny serwis 2 razy w roku. Wszystkie interwencje w urządzeniu może przeprowadzać tylko przeszkolona osoba, która ma wymagane do tego uprawnienia.

Uwaga! Przed rozpoczęciem używania urządzenia należy ściągnąć z całej powierzchni folię ochronną oraz przemyć urządzenie wodą z płynem do naczyń, a następnie przetrzeć wilgotną szmatką.

- Czyszczenie przede wszystkim powierzchni, która jest w kontakcie z żywnością musimy przeprowadzać codziennie i bardzo dokładnie.
- Części nierdzewnych nie wolno czyścić pastami gruboziarnistymi lub środkami agresywnymi.
- Do czyszczenia nie używać papierów ściernych.
- W razie silnego zabrudzenia powierzchni dopuszczalne jest użycie gąbki z utwardzoną powierzchnią.
- Urządzenie czyścić wyłącznie zimne - w przeciwnym wypadku grozi to oparzeniem.
- W czasie dłuższej przerwy w eksploatacji urządzenia należy je zakonserwować olejem jadalnym i wyłączyć zasilanie elektryczne.
- Urządzenia nie należy czyścić wodą pod ciśnieniem (z węża).

 **W razie awarii:**
Odłączyć zasilanie elektryczne. Wezwać autoryzowany serwis.

GWARANCJA

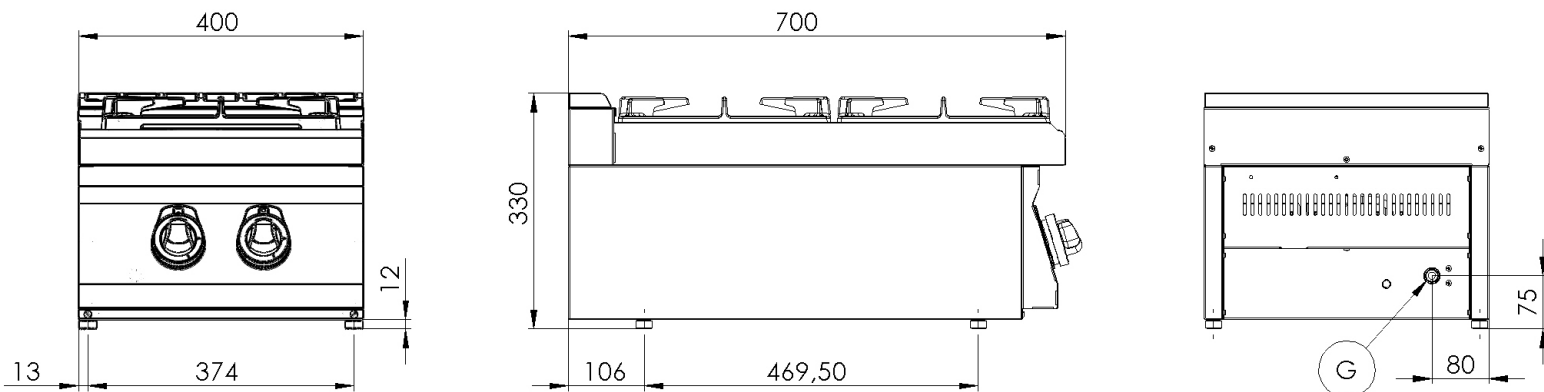
Gwarancja nie obejmuje żadnych części, które podlegają naturalnemu zużyciu (uszczelki, żarówki, części plastikowe i szklane itp.) Gwarancja nie obejmuje również urządzenia jeśli podłączone było nie zgodnie z instrukcją lub przez osoby nie posiadające odpowiednich uprawnień. Gwarancja nie obejmuje uszkodzeń spowodowanych warunkami atmosferycznymi lub przez osoby trzecie.

Seznam dílů pro výměnu

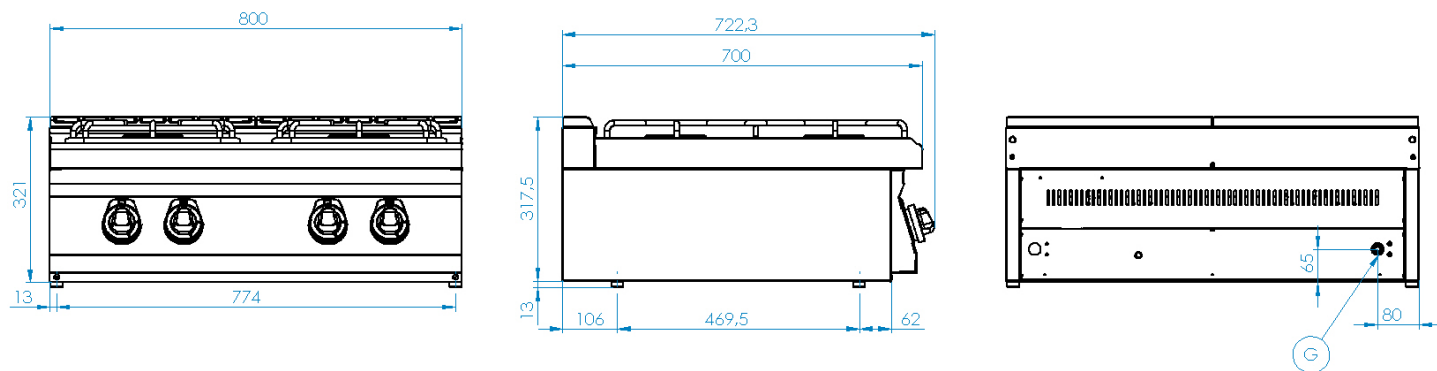
Zkratka 1	Název zboží
402590710	Podložka regulačního knoflíku RF-900 mat
402590709	Regulační knoflík RF-900 mat G
404000184	Tělo hořáku ARC S04 "C" 3.5-4.0 kW
404000183	Rozprašovač hořáku ARC S04 "C" 3.5-4.0 kW
404000176	Tělo hořáku ARC S04 "D" 6.0-7.0 kW
404000175	Rozprašovač hořáku ARC S04 "D" 6.0-7.0 kW
404000181	Termočlánek ARC S04 - L=600 mm M9x1
404000182	Matice termočlánku ARC S04
402594045	Samolepící značka - sporák REDFOX
402594077	Samolep. etiketa SPB L700 REDFOX

ROZMĚROVÉ OBRÁZKY: RYSUNEK WYMIAROWY:

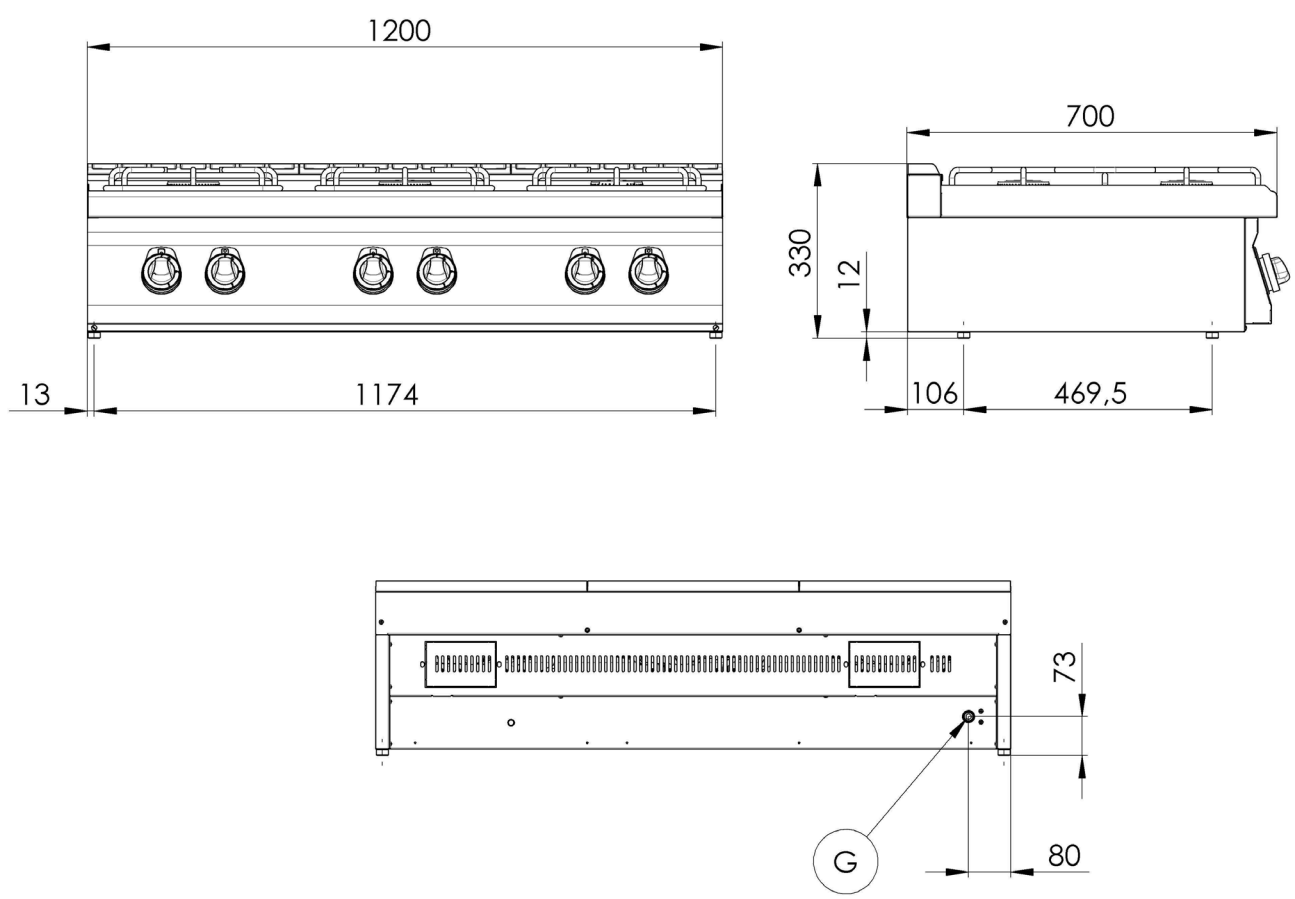
SPB-70/04 G



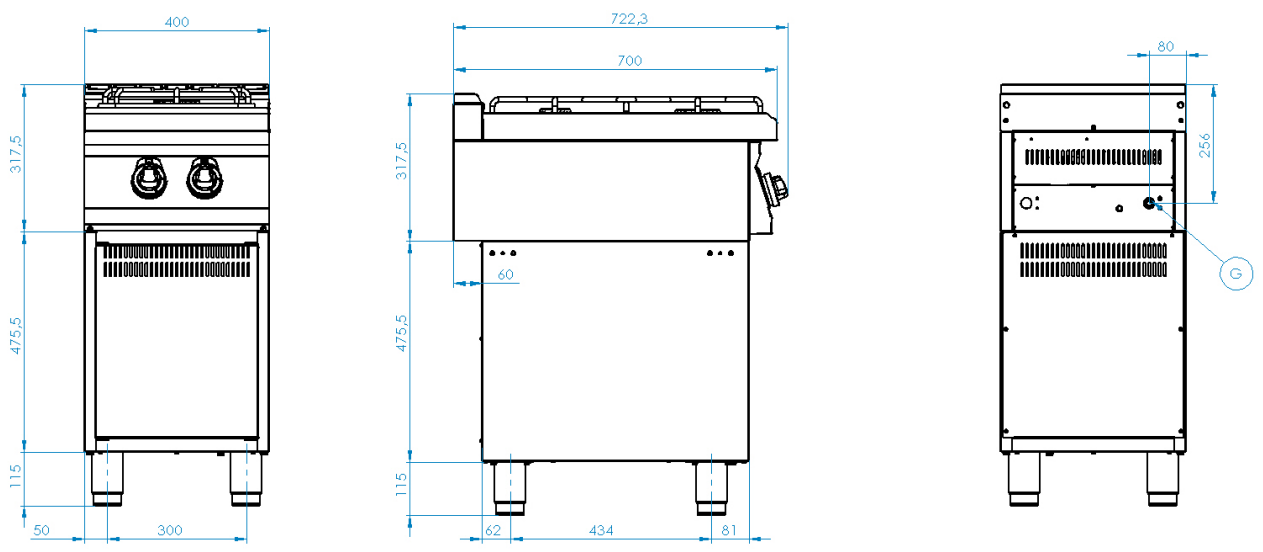
SPB-70/08 G



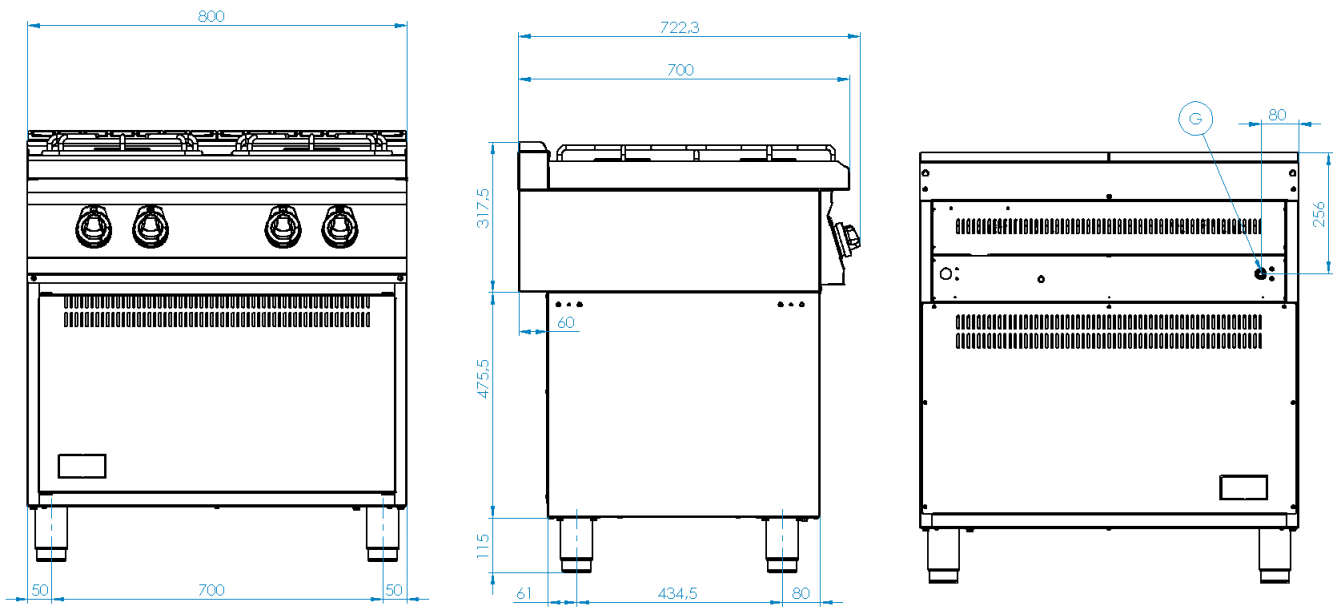
SPB-70/012 G



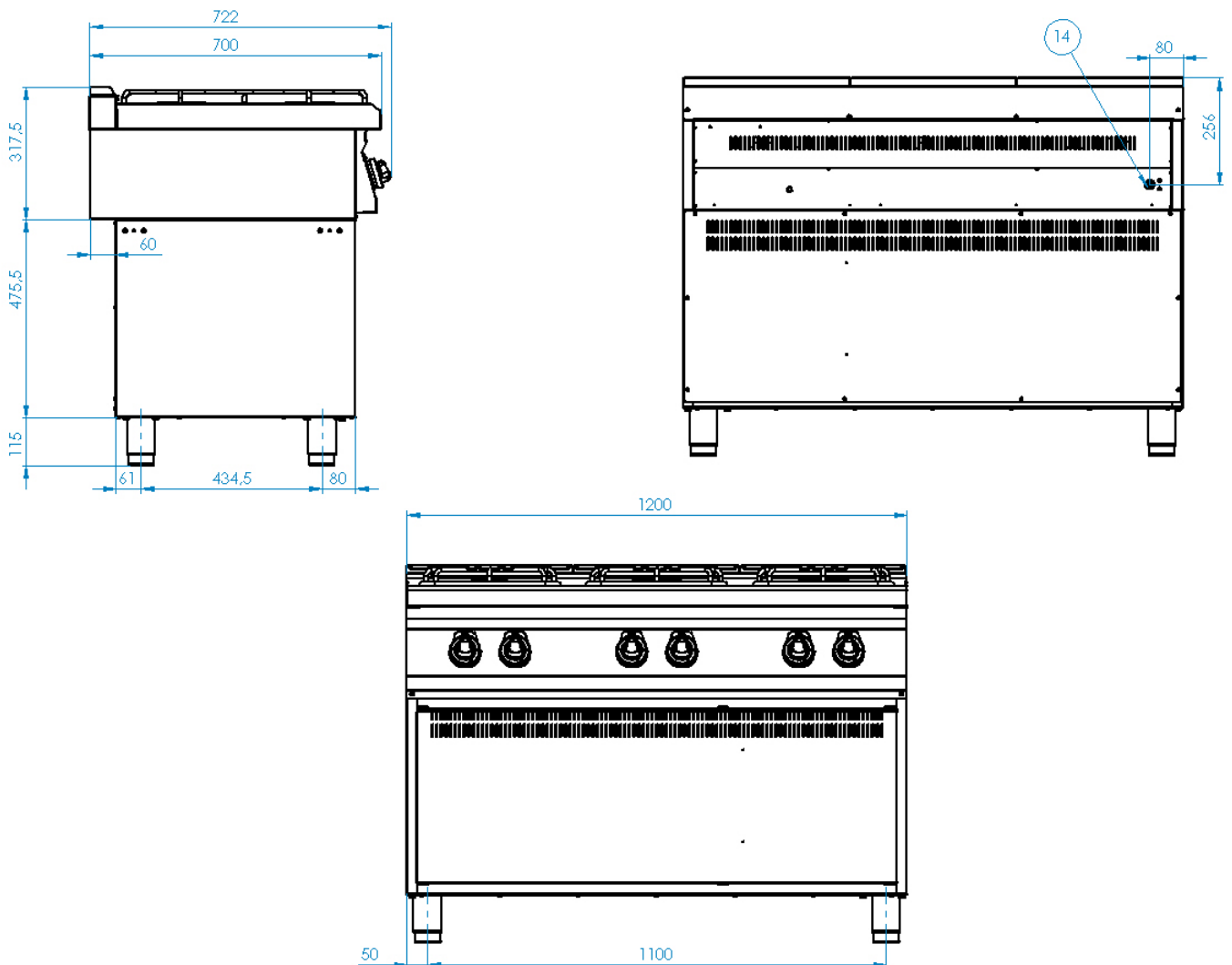
SPB-70/40 G



SPB-70/80 G



SPB-70/120 G



IZJAVA O SAGLASNOSTI SA NORMAMA

Proizvodjač proglašava da uređaji ispunjavaju norme evropskog parlamenta i savjeta 2009/142/ES. Instalacija mora biti provedena prema važećim normama.

Pozor, proizvođač ne snosi odgovornost u slučaju direktnog i/ili indirektnog oštećenja, a koje može biti uzrokovano neodgovornom ili neprofesionalnom instalacijom, neispravnom opravom i/ili korištenjem, nedovoljnim održavanjem i čišćenjem, te ostalim faktorima koji su uvedeni u uputstvu, odnosno uslovima prodaje. Ovaj uređaj je namijenjen samo k profesionalnom korišćenju i upotrebi, tako da mora biti servisiran samo kvalifikovanim osobljem. Dijelovi koji su bili instalirani od strane proizvođača ili njim povjerene osobe, ne smije korisnik mijenjati, niti opravljati.

TEHNIČKI PODACI

Naljepnica sa tehničkim podacima se nalazi sa zadnje ili bočne strane aparata. Prije nego što aparat počnete koristiti prostudirajte shemu elektr. instalacije i ostale odgovarajuće informacije.

MODEL	Gorionika (kW)	SANGA max. (kW)	Razm. uređaja (mm)
SPB - 70/04 G	(1x 6kW) + (1x 3,5)	9,5	400 x 720 x 330
SPB - 70/08 G	(3x 6kW) + (1x 3,5)	21,5	800 x 720 x 330
SPB - 70/12 G	(4x 6kW) + (2x 3,5)	31	1200 x 720 x 330
SPB - 70/40 G	(1x 6kW) + (1x 3,5)	9,5	400 x 720 x 908
SPB - 70/80 G	(3x 6kW) + (1x 3,5)	21,5	800 x 720 x 908
SPB - 70/120 G	(4x 6kW) + (2x 3,5)	31	1200 x 720 x 908

HOŘÁK 6 kW						
plin	mlaznica ø [0,01mm]	kodirati	potrošnja 1 plamenik		„postavka primarnog zraka rešetka od lijevanog željeza (na slici označena s H) [mm] „	„postavka primarnog zraka žičana mreža (na slici označena s H) [mm] „
G30 28..30 mbar	115	404000222	0,4385	kg/h	13	13
G30 37 mbar	115	404000222	0,4811	kg/h	13	13
G30 50 mbar	105	404000219	0,468	kg/h	13	13
G31 30..37 mbar	115	404000222		kg/h		
G31 37 mbar	125	404000223	0,4723	kg/h	13	13
G31 50 mbar				kg/h		
G20 20 mbar	190	404000230	0,643	m3/h	7	7
G25 25 mbar	190	404000230	0,736	m3/h	7	7
G25 20 mbar				m3/h		
G20 25 mbar	180	404000229	0,649	m3/h	7	7
G25.1 25 mbar	200	404000232	0,755	m3/h	0,8	3
G2.350 13 mbar	310	není založena v K2	0,91	m3/h	7	7
G27 20 mbar	215	404000234	0,809	m3/h	7	7

HOŘÁK 3,5 kW						
plin	mlaznica ø [0,01mm]	kodirati	potrošnja 1 plamenik		„postavka primarnog zraka rešetka od lijevanog željeza (na slici označena s H) [mm] „	„postavka primarnog zraka žičana mreža (na slici označena s H) [mm] „
G30 28..30 mbar	90	404000217	0,2728	kg/h	13	13
G30 37 mbar	90	404000217	0,2756	kg/h	13	13
G30 50 mbar	80	404000216	0,2746	kg/h	13	13
G31 30..37 mbar				kg/h		
G31 37 mbar	90	404000217	0,2607	kg/h	13	13
G31 50 mbar				kg/h		
G20 20 mbar	140	404000215	0,382	m3/h	7	7
G25 25 mbar	145	404000225	0,423	m3/h	7	7
G25 20 mbar				m3/h		
G20 25 mbar	130	404000224	0,351	m3/h	7	7
G25.1 25 mbar	150	404000226	0,438	m3/h	10	5
G2.350 13 mbar	195	404000231	0,519	m3/h	7	7
G27 20 mbar	160	404000228	0,461	m3/h	7	7

KONTROLA PAKOVANJA I APARATA

Uredjaj napušta naše skladište uredno zapakovan, na pakovanju se nalaze simboli i opis tipa aparata. U pakovanju ćete naći uputstvo za upotrebu. Ukoliko bi se na pakovanju vidjelo da je s njim bilo loše manipulirano, da je pakovanje oštećeno, morate to odmah riješiti sa prijevoznikom, a to tako što ćete s njim napisati i obostrano potpisati protokol o šteti. Kasnije reklamacije nećemo uzimati u obzir.



Važno upozorenje

Ovo uputstvo mora biti pažljivo pročitano, budući da sadrži bitne informacije o sigurnosti, instalaciji i korištenju.

-Proizvod je određen samo za korištenje u unutarnjem prostoru.

Proizvod nemojte nikad koristiti ukoliko mu je oštećen dovod napajanja ili utikač, ukoliko ne radi ispravno, ukoliko je pao na tlo i time se ošteti ili je pao u vodu. U takvim situacijama odnesite poroizvod u stručni servis na provjeru njegove sigurnosti i ispravnog funkcioniranja.

- Ove preporuke se odnose na ovaj proizvod ili liniju proizvoda.
- Ovo uputstvo se treba sačuvati i za buduće korištenje.
- Zabranite djeci da koriste uređaj.
- Prilikom preprodaje ili izmjene pozicije uređaja, neophodno je upoznati servis i osoblje sa priloženim uputstvom za upotrebu i instalaciju.
- Uredjaj smije koristiti samo posluša koja je upoznata sa uputstvom.
- Nesmijete ostavljati uređaj bez nadzora.
- Preporučuje se kontrola autorizovanim servisom minimalno 2x godišnje.
- U slučaju oprave ili izmjene rezervnog dijela, koristite samo originalne dijelove.
- Uredjaj se ne smije čistiti vodom pod pritiskom (tuš ili crijevo sa vodom).
- U slučaju kvara, isključite aparat iz struje, prekinite dovod vode i/ili plina, a potom se obratite na autorizovani servis.
- Proizodjač ne snosi odgovornost u slučaju pogrešne instalacije, nedodržavanjem gore navedenih preporuka, odnosno neodgovornim korištenjem i sl..
- Uredjaj smije biti korišten samo k tomu čemu je namijenjen, drugi način korištenja može uzrokovati oštećenje aparata ili, čak, tjelesne povrede.
- Moramo najstrožije dodržavati pravila protivpožarne zaštite.

POZICIJA

Za ispravan rad i položaj aparata neophodno je dodržavati smjernice i norme propisane u uputstvu.

Raspakujte uređaj i prekontrolirajte da se nije slučajno ošteti tijekom transporta. Smjestite uređaj na vodoravnu podlogu (maksimalna neravnina do 2°). Male neravnine možemo regulirati nožicama.

Ako je aparat smješten tako da će biti u neposrednoj blizini namještaja, taj mora biti otporan na toplotu od 60°C. Instalaciju, podešavanje i početak korištenja mora biti proveden kvalifikovanom osobom, koja je k tomu povjerena od strane autorizovanog servisa.

Uredjaj može biti instaliran samostalno ili u seriji sa ostalim našim proizvodima. Obavezno dodržavajte minimalnu udaljenost 10 cm od lako zapaljivih predmeta. U takvom slučaju, moraju biti provedene određene izmjene kako bi izolirale zapaljive materijale.

Uredjaj smije biti instaliran samo na nezapaljivoj površini i pored vatrostalnog zida.

INSTALACIJE

Važno:

Proizvodjač ne daje nikakvu garanciju na greške uzrokovane neispravnim korištenjem, nepridržavanjem danih instrukcija ili neodgovornim korištenjem proizvoda.

Instalaciju, izmjene i oprave, a jednako tako i demontažu, ukoliko je aparat oštećen, može provesti samo odgovorna osoba, a to povjerena autorizovanim servisom. I to na osnovu ugovora o prodaji i održavanju koji može biti sklopljen samo sa oficijalnim predstavnikom proizvođača, a mora sadržavati sve tehničke propise i norme koje se tiču instalacije, dovoda struje i plina, te bezbjednosti rada.

Tehničke instrukcije za instalaciju i podešavanje služe samo SPECIJALIZIRANIM serviserima.

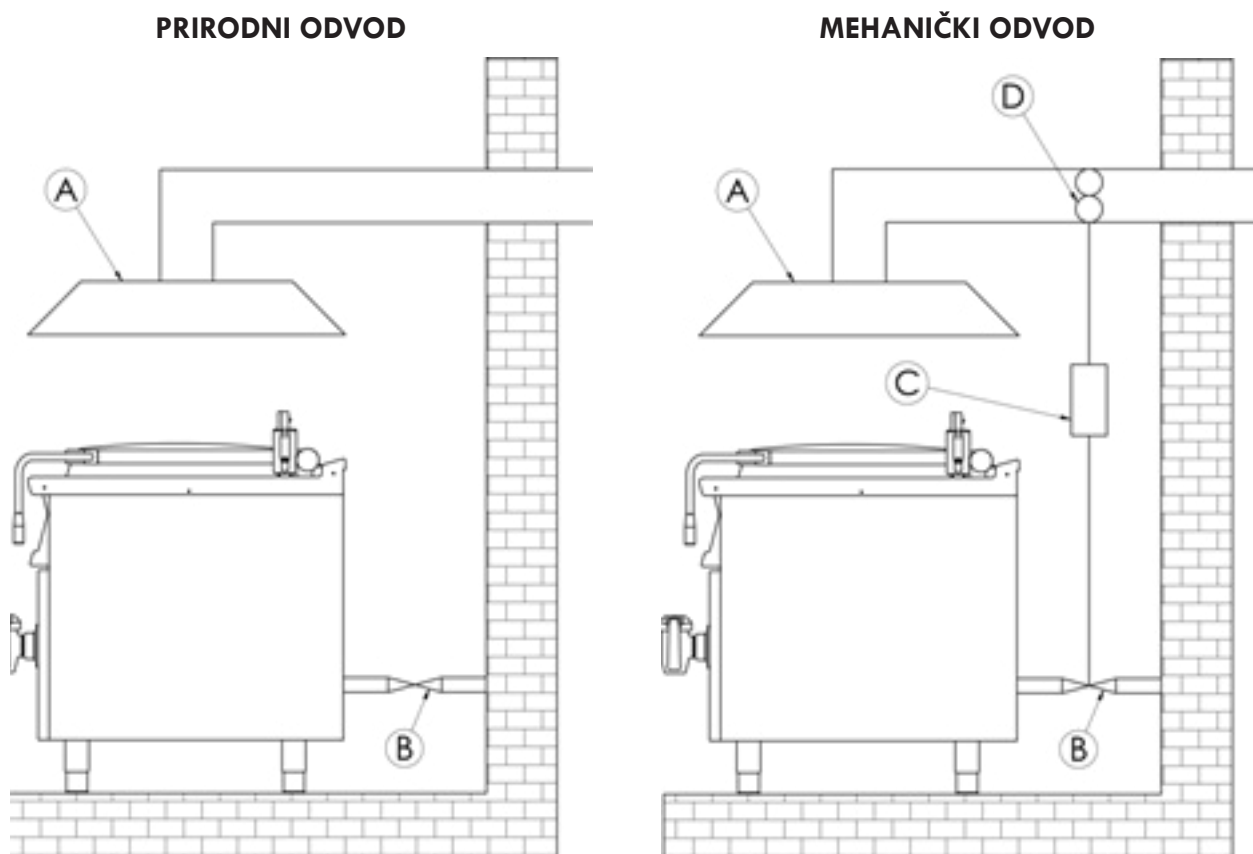
Instrukcije, koje slijede tiču se tehničara kvalifikovanih za instalaciju uređaja, a da bi to učinili na što korektniji i odgovorniji način, a to prema zadanim normama.

Bilo koja djelatnost vezana za regulaciju i sl., mora biti provedena samo kada je aparat isključen i prekinut dovod plina i/ili vode. Dok aparat ne isključite i odpojite, budite maksimalno oprezni i pažljivi prilikom rukovanja.

Kakav trebate koristiti odvod dima, možete vidjeti na naljepnici sa deklaracijom tipa aparata, radi se o aparatima tipa A1.

PROVEDBA ODVODA PLINA

Uredjaje tipa A (pogledaj naljepnicu sa karakteristikama) moramo instalirati u prostoru koji je dovoljno odvjetran, a to u tom smislu, da u njemu nije moguća veća koncentracija štetnih plinova ili dima. Tim se podrazumijeva da sam aparat nema svoj dimnjak i nije spojen sa drugim aparatom koji bi već imao svoj odvod dima.



Odvod digestora je u samom tijelu dimnjaka (A). Odvod dima, osigurava prirodno odvjetranje dimnjaka.

Odvod digestora nema prirodno odvjetranje. To obezbijedjuje ventilator (D), (mehanički odvod). U tom slučaju, obavezno je spojiti dovod plina (B) sa odvodem dima, ukoliko bi došlo do nestanka elektr. energije.

BEZBJEDNOSNE MJERE PROTIVPOŽARNE ZAŠTITE

- Koristiti uređaj smiju samo odrasle osobe.
- Uređaj smije biti korišten samo u tome namijenjenom prostoru.
- Uređaj postavite tako da stoji na vatrostalnoj podlozi.

Na uređaj i u njegovoj blizini ne smiju biti postavljeni lako zapaljivi predmeti (najmanja dozvoljena udaljenost između aparata i zapaljivih materijala je 10 cm).

• Informacije o stupnju zapaljivosti uobičajenih građevinskih materijala možete vidjeti na tabeli. Uređaj mora biti instaliran na bezbjednom mjestu. Prilikom instalacije moraju biti respektovani priloženi projektni materijali, sigurnosni i higijenski propisi.

Stupanj zapaljivosti	Gradjevinski materijal
A - nezapaljive	granit, pijesak, beton, cigle, keramičke pločice, žbuka
B - teško zapaljive	akumin, heraklit, lihnos, itaver
C1 - veoma zapaljive	drvo, sirkoklit, tvrdi papir, sadrokarton
C2 - srednje zapaljive	iverica, solodur, pluto, guma, linoleum
C3 - lehce hořlavé	dřevovláknité desky, polystyrén, polyureten, PVC

Uređaji moraju biti instalirani na bezbjedan način. Prilikom instalacije uređaja moraju biti respektovani predloženi projektni materijali, bezbjednosni i higijenski propisi.

PRIKLJUČIVANJE EL. KABLA U STRUJU

Instalacija dovoda struje - taj dovod mora imati svoj poseban osigurač. A to odgovarajući prema snazi i naponu instalovanog aparata. Ove podatke ćete naći na naljepnici sa zadnje ili bočne strane aparata.

Uzemljenje može biti duže od ostalih spojnika. Uređaj pripojite direktno na struju, a neophodno je da instalirate među uređajem i strujom prekidač, i to na udaljenosti 3mm među samostalnim kontaktima, tako da bi odgovarao važećim normama i opterećenju. Uzemljenje (žuto-zeleno) ne smije biti tim prekidačem prekinuto. Aparat je predviđen da se uključi u utičnicu, ukoliko ima odgovarajući osigurač.

U svakom slučaju, dovod mora biti postavljen tako da kabel niti na jednom mjestu ne može imati toplotu višu za 50 stupnjeva od sredine u kojoj se nalazi. Prije nego što kabel spojite, uvjerite se da:

- osigurač i razvodi mogu podnijeti opterećenje samog aparata (pogledaj naljepnicu)
- razvodi imaju odgovarajuće uzemljenje a to prema normama i uslovima odredjenim zakonom
- utičnica ili prekidač su lako pristupni.

Ne preuzimamo bilo kakvu odgovornost u slučaju da se nisu dane instrukcije respektovale ili ako se nije postupalo prema danim uputama.

Prije prve upotrebe pročitajte poglavlje „čišćenje i održavanje“. Uređaj mora biti uzemljen pomoću već označenih šarafa.

-  **-Utikač dovoda napajanja nikada nemojte uključivati u električnu utičnicu niti je vaditi iz električne utičnice mokrim rukama, niti potezanjem za kabl dovoda napajanja.**
- Nemojte koristiti produžne kablove niti utičnice sa više priključaka.**

SPAJANJE PRIVODA PLINA DO APARATA

Kod spajanje uređaja sa plinom trebamo koristiti čeličnu ili bakarnu cijev, a to prema zakonima dane države. Ta mora biti redovno kontrolisana i izmijenjana ukoliko je to potrebno. Svaki uređaj mora imati odgovarajući zatvarač i havarijni zatvarač. Havarijni zatvarač mora biti lako dostupan i na dohvata aparata. Kada završimo instalaciju, moramo prekontrolisati propusnost plina. Da bi to učinili, možemo koristiti rastvor vodu i sapuna koji će nam otkriti eventualno „curenje“ plina.

Ne koristite materijale koji mogu uzrokovati koroziju! Svi naši uređaji su pažljivo prekontrolisani. Tip plina, tlak i označene kategorije se nalaze na naljepnici proizvoda.

Spoj na kapalni plin:

Tlak za spajanje kapalnog plina mora biti 28 ili 30 mbar za propan/butan i 37 mbar za propan. Ali, u svakom slučaju, prekontrolišite naljepnicu, izmjerite pritisak i prekontrolišite parametre instalirane mlaznice, uporedite je sa parametrima koji su propisani proizvođačem. Ukoliko je pritisak niži od 25 mbar ili viši od 37 mbar **NE SMIJE BITI UREĐAJ PRIKLJUČEN NA PLIN!!!**

Spoj na zemni plin:

Tlak za spoj na metan mora biti 18 ili 20 mbar. Obavezno prekontrolišite naljepnicu, izmjerite pritisak i prekontrolišite parametre mlaznice, uporedite ih sa onim koji su propisani proizvođačem. Ukoliko je pritisak niži od 15 mbar ili viši od 22,5 mbar **NE SMIJE BITI UREĐAJ PRIKLJUČEN NA PLIN!!!**

KONTROLA PODEŠAVANJA APARATA NA ODREDJENI TIP PLINA

PROVJERA POSTAVKE UREĐAJA ZA VRSTU PLINA

Naši su uređaji certificirani i regulirani za prirodni plin (vidi tipsku pločicu). Konverziju ili prilagodbu na drugu vrstu plina smije izvoditi samo ovlaštenu tehničar. Mlaznice za različite vrste plina nalaze se u vrećici priloženoj uz štednjak i označene su u stotinkama mm.

Zamjena mlaznica i podešavanje plamenika (vidi sliku dolje):

Da biste zamijenili glavnu mlaznicu plamenika, postupite na sljedeći način:

- 1) uklonite upravljačke gumbes s prednje ploče (slika 1, poz.1)
- 2) uklonite prednju ploču (slika 1, poz.2)
- 3) kako bismo olakšali pristup, preporučujemo i rastavljanje stražnje ploče (ako je moguće) (slika 1, poz.3)
- 4) Podesite dovod zraka za odgovarajući plin (slika 3) prema tablici „TEHNIČKI PODACI PLAMENIKA“

Važno:

Nakon prilagodbe uređaja na drugu vrstu plina, potrebno je označiti promjenu plina na naljepnici uređaja i izvršiti sljedeće korake:

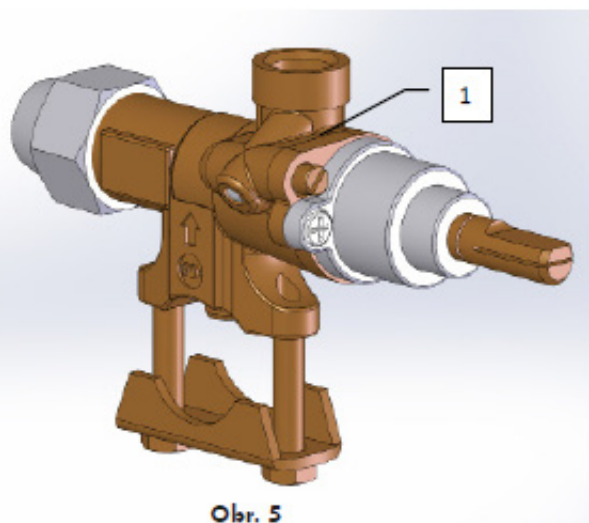
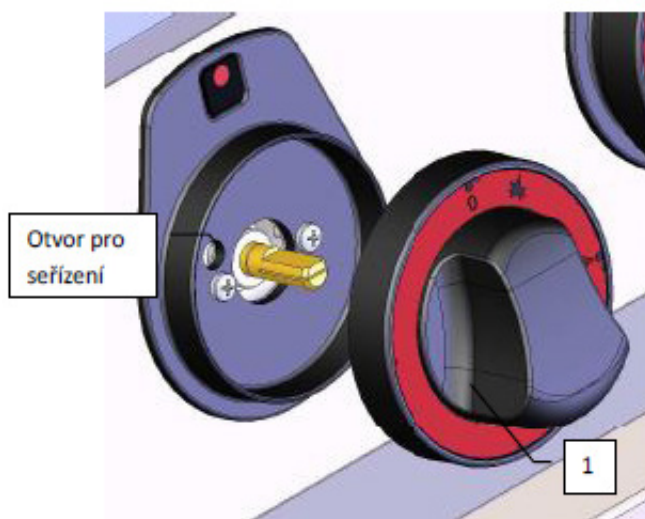
- Provjerite curi li plin
- Provjerite paljenje i plamen glavnog plamenika
- Provjerite plamen glavnog plamenika na min. performans „SPORO“

Pri postavljanju slavine na smanjenu snagu „SPORO“, podesite vijak na tijelu slavine (poz. 1, slika 5) pored osovine slavine.

Za podešavanje postupite na sljedeći način:

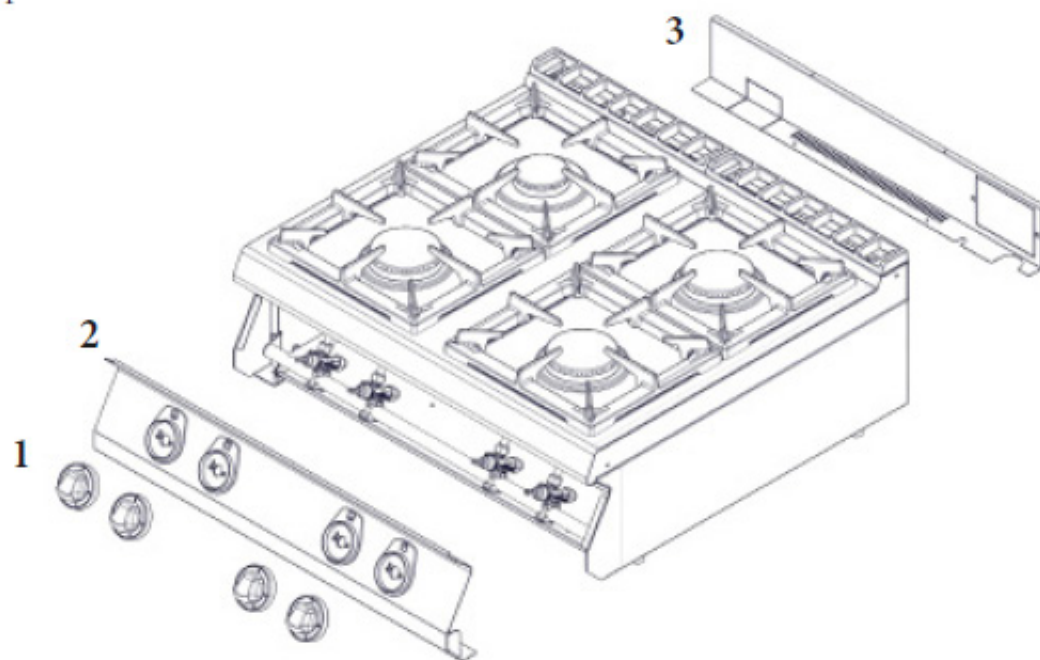
- Sejméte regulační knofl ík (poz. 1, obr. 4) tahem k sobě
- Vedle hřídele kohoutu je otvor pro seřízení, pomocí plochého šroubováku seřídíte plamen

PODEŠAVANJE PLAMENA SNIŽENOM SNAGOM „SPORO“

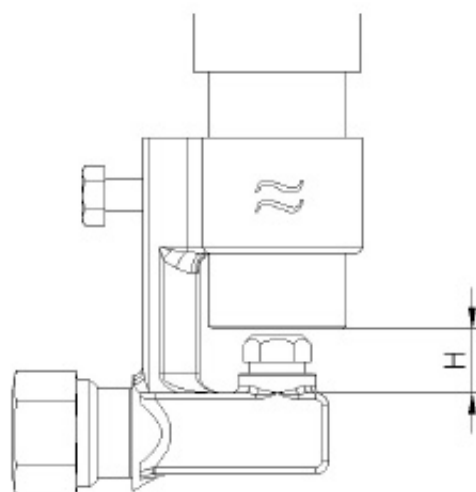


Obr. 5

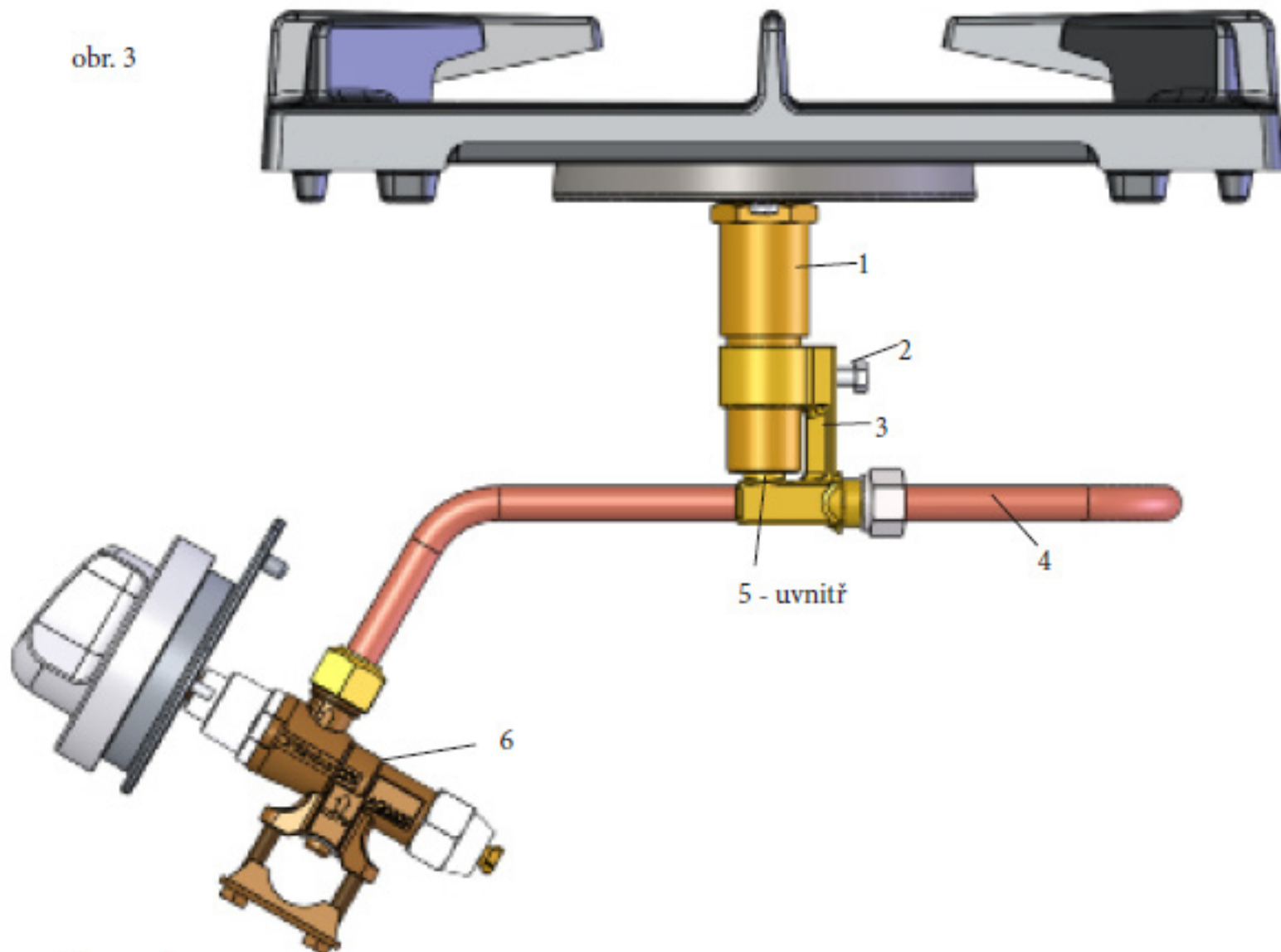
obr. 1



obr. 4



obr. 3



BOM:

- 1- Cijev s bakljom
- 2- Vijak M5x16 zn IMBUS
- 3- Držać mlaznice
- 4- Ulazna cijev - bakar
- 5- Mlaznica plamenika
- 6- Plinska slavina

Postup výměny trysky:

- 1) Otpustite vijak M5x16 zn IMBUS (položaj2)
- 2) Pomaknite držać mlaznice (položaj 3) prema dolje
- 3) Pomoću ključa odvijte mlaznicu / položaj 5) i zamijenite je potrebnom veličinom
- 4) Pomaknite držać mlaznice prema gore na udaljenost H
- 5) Pritegnite vijak M5x16 iz IMBUS-a

Udaljenost H znači nominalnu dimenziju u mm između držać mlaznice i cijevi plamenika (položaj 1). Vrijednosti provjerava institut za ispitivanje

paljenje plamenika i regulacija performansi:

Okrenite gumb za regulaciju nadležnog plamenika (A) u položaj „paljenje glavnog plamenika“, a zatim ga pritisnite i držite. Upalite plamenik upaljačem ili šibicama. Nakon paljenja plamenika držite tipku (A) pritisnutu nekoliko sekundi dok se termo osigurač ne zagrije. Zatim otpustite gumb. Ako se plamen ugasi, ponovite cijeli postupak još jednom.

Sporo slabije izvedbe:

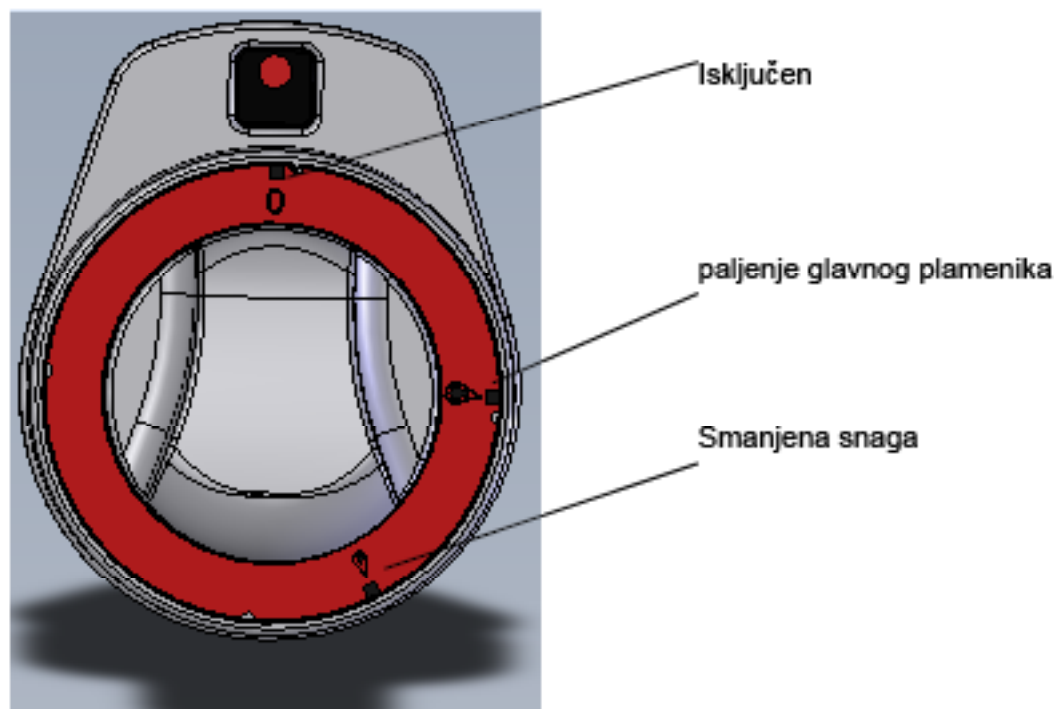
Okretanjem gumba (A) u položaj „sporo“ podesite sagorijevanje plamenika za sporo (slabije performanse)

Kako isključiti plamenik:

Okrenite gumb (A) u položaj „0“.

Upute za isisavanje plinskih proizvoda izgaranja:


Uređaji tipa A (pogledajte naljepnicu sa karakteristikama). Uređaj završne obrade A, to je uređaj koji nije napravljen za spajanje s dimnjakom ili drugim uređajem za isisavanje produkata izgaranja iz prostora u kojem se uređaj nalazi. Ovi uređaji moraju biti smješteni u sobi s dovoljnom ventilacijom prema ČSN 12 7010: 1986 i ČSN 1207040: 1986. Potrebno je spriječiti nakupljanje štetnih tvari u velikoj koncentraciji (osigurati zahtjev za higijenskim standardom za radno okruženje sv. 39/78 smjernica 46).



ČIŠĆENJE I ODRŽAVANJE

Aparat prekontrolišite barem 2 x godišnje autorizovanim serviserom. Bilo kakve oprave ili instalacije mogu biti provedene samo kvalifikovanom osobom koja je za takve zadatke odgovorna.

POZOR!

 Aparat ne smijete čistiti vodom koja je pod pritiskom; npr. tuš, crijevo. Čistite ga svakodnevno. Dnevno održavanje produžava život i upotrebnu vrijednost aparata. Prije početka čišćenja, provjerite da li ste aparat isključili iz struje. Uvijek provjerite glavni dovod. Dijelove od nehrdjajućeg čelika čistite vlažnom krpom i tekućim deterdžentom za sudje, potom operite čistom vodom i detaljno osušite. Nemojte koristiti abrazivna ili korozivna sredstva za čišćenje.

Pozor! Prije nego što počnete uređaj koristiti, obavezno sa njega skinite zaštitne folije i operite ga prema gore navedenim uputama.

Šta učiniti u slučaju kvara?

Isključite aparat iz struje i nazovite autorizovani servis.

UPOZORENJE

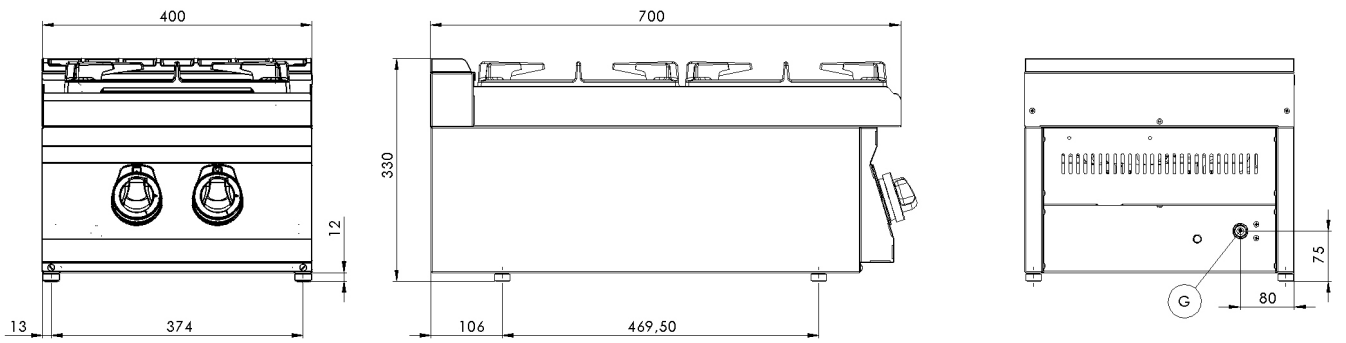
Garancija se ne odnosi na potrošne dijelove (kao što su: gumice, lampice, stakleni i plastični dijelovi...). Garancija se također ne odnosi na uređaj koji nije priključen i instaliran prema uputama, odgovornim serviserom, a prema danim normama. Isto tako, ukoliko su bile napravljene izmjene ili oprave koje nisu predviđene (oprave unutrašnje instalacije) ili ako je uređaj korišten nepoučenim ili neprofesionalnim osobljem, odnosno protivno instrukcijama navedenim u uputstvu za upotrebu. Također, garancija ne vrijedi ukoliko ja aparat oštećen vanjskim ili klimatskim uticajima.

Neophodno je provoditi kontrolu uređaja svakih 6 mjeseci. Tu kontrolu treba da provede autorizovani serviser. U slučaju ne održavanja ove preporuke, proizvođač se ograđuje od bilo kakve odgovornosti za štetu na imovini ili zdravlju.

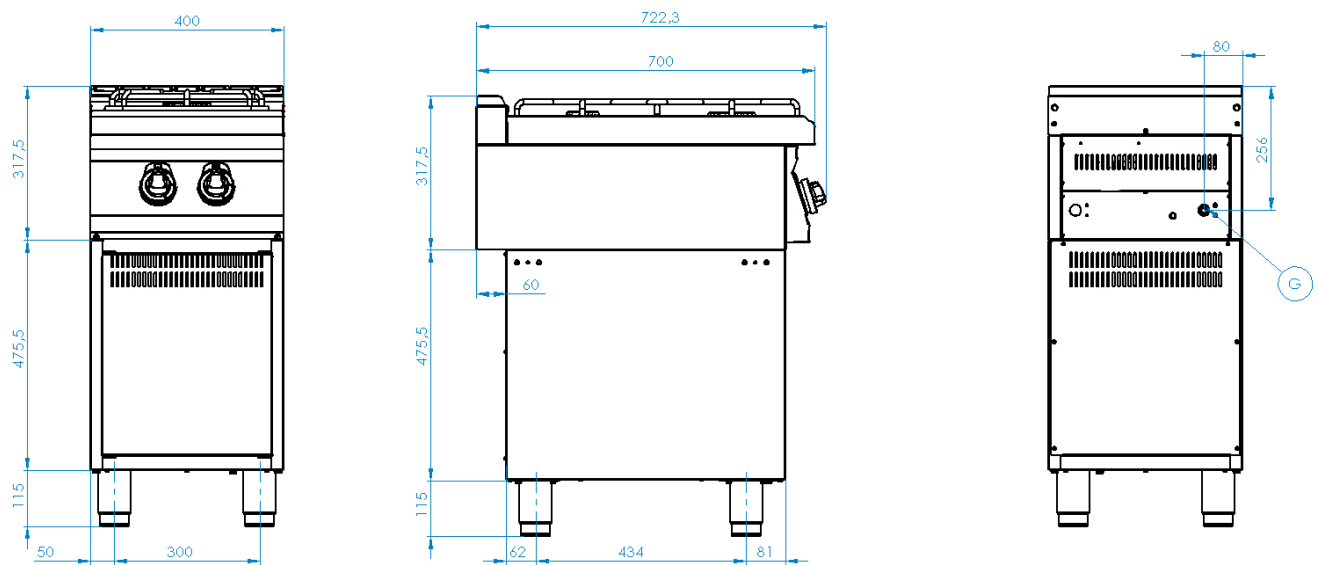
Ambalažu pakovanja i uređaj poslije kraja njegove upotrebne vrijednosti, predajte na otpad, a to prema danim propisima o likvidaciji.

DIMENSIONALNA SLIKA

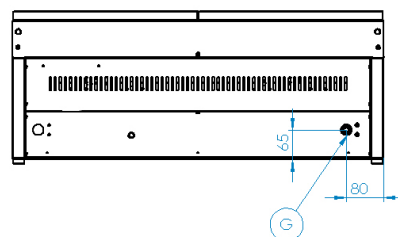
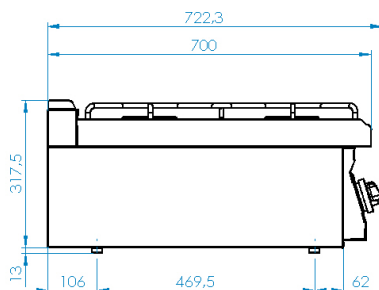
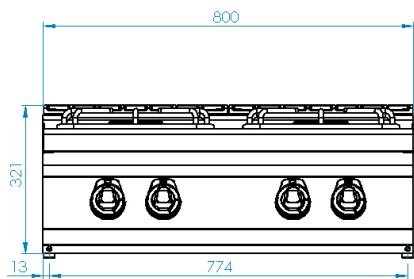
SP-70/04 G



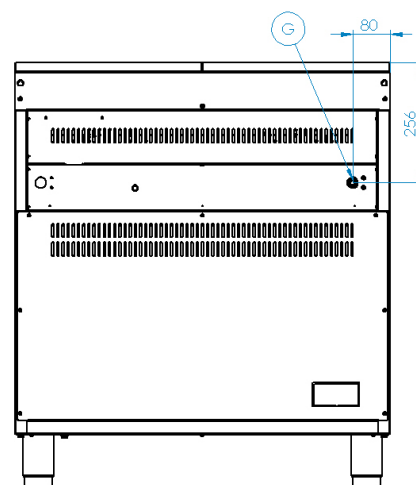
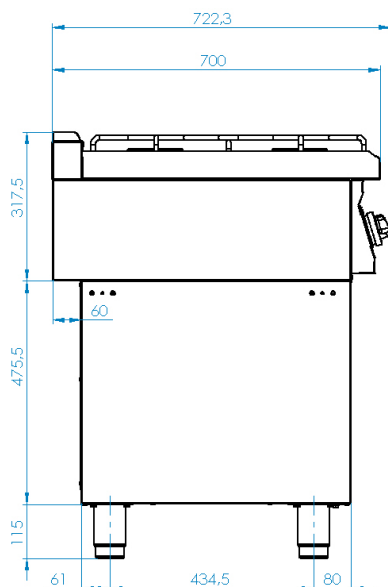
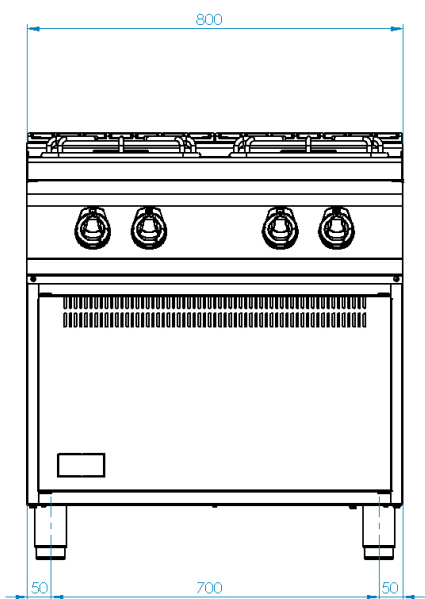
SP-70/40 G



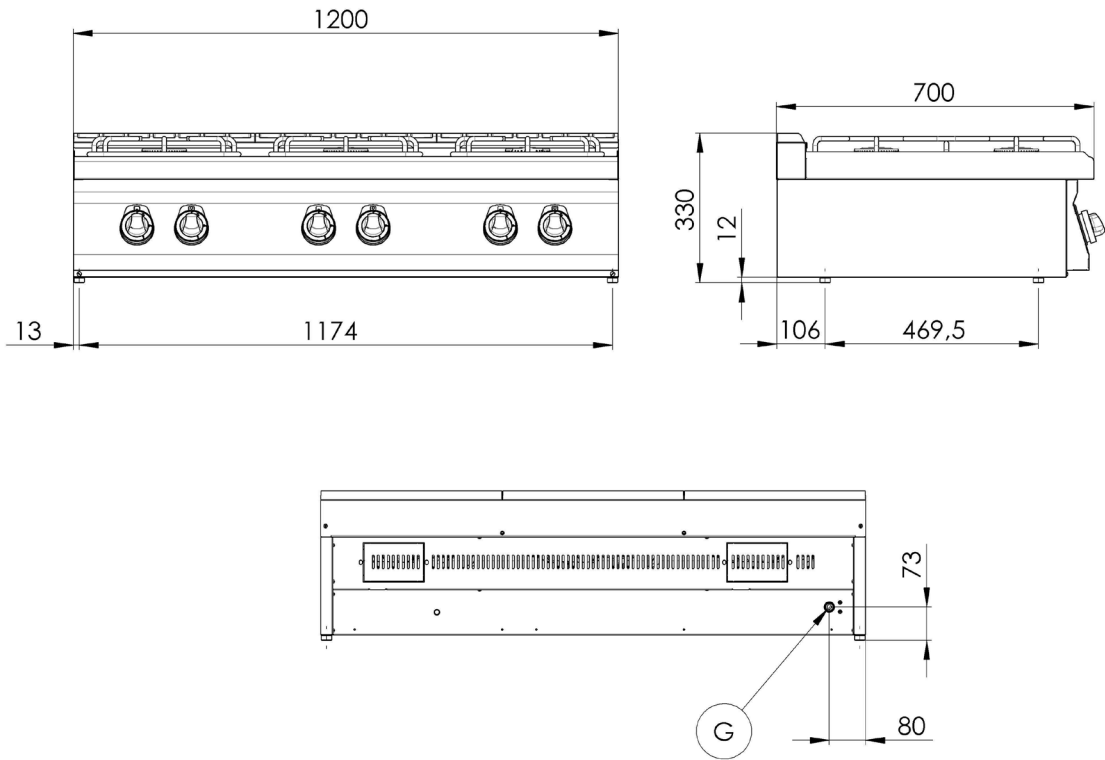
SP-70/08 G



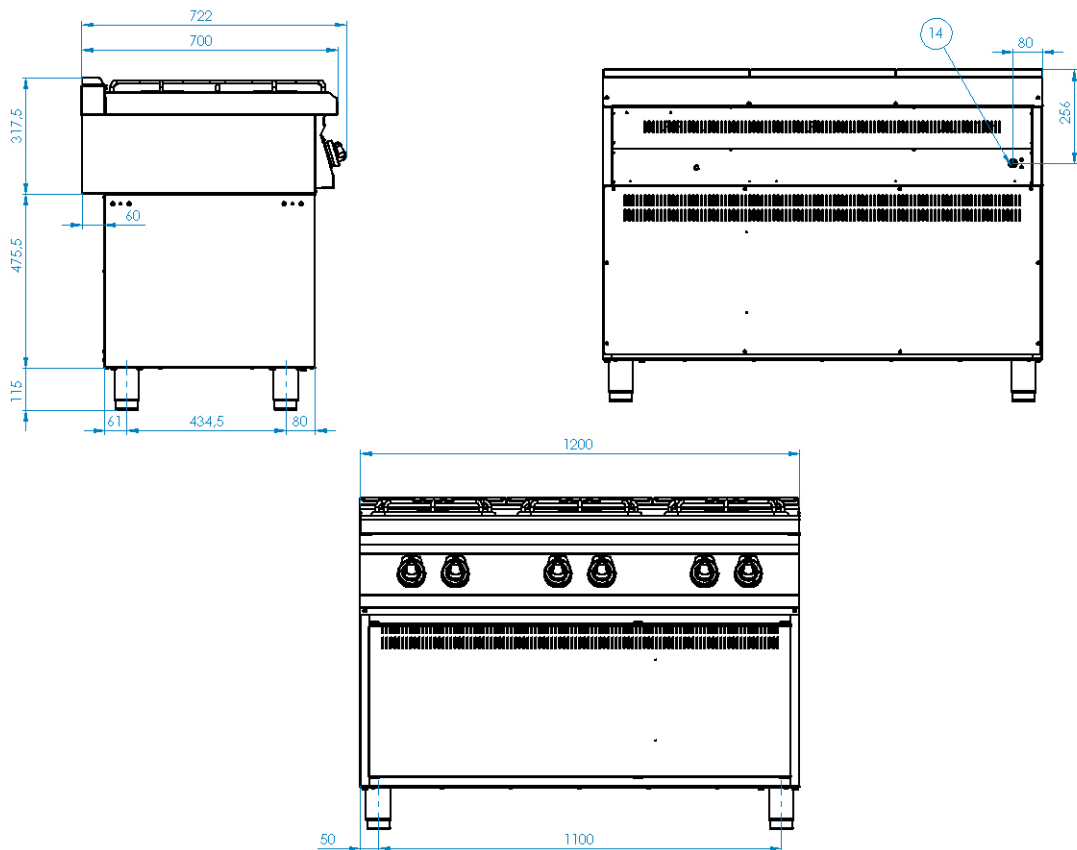
SP-70/80 G



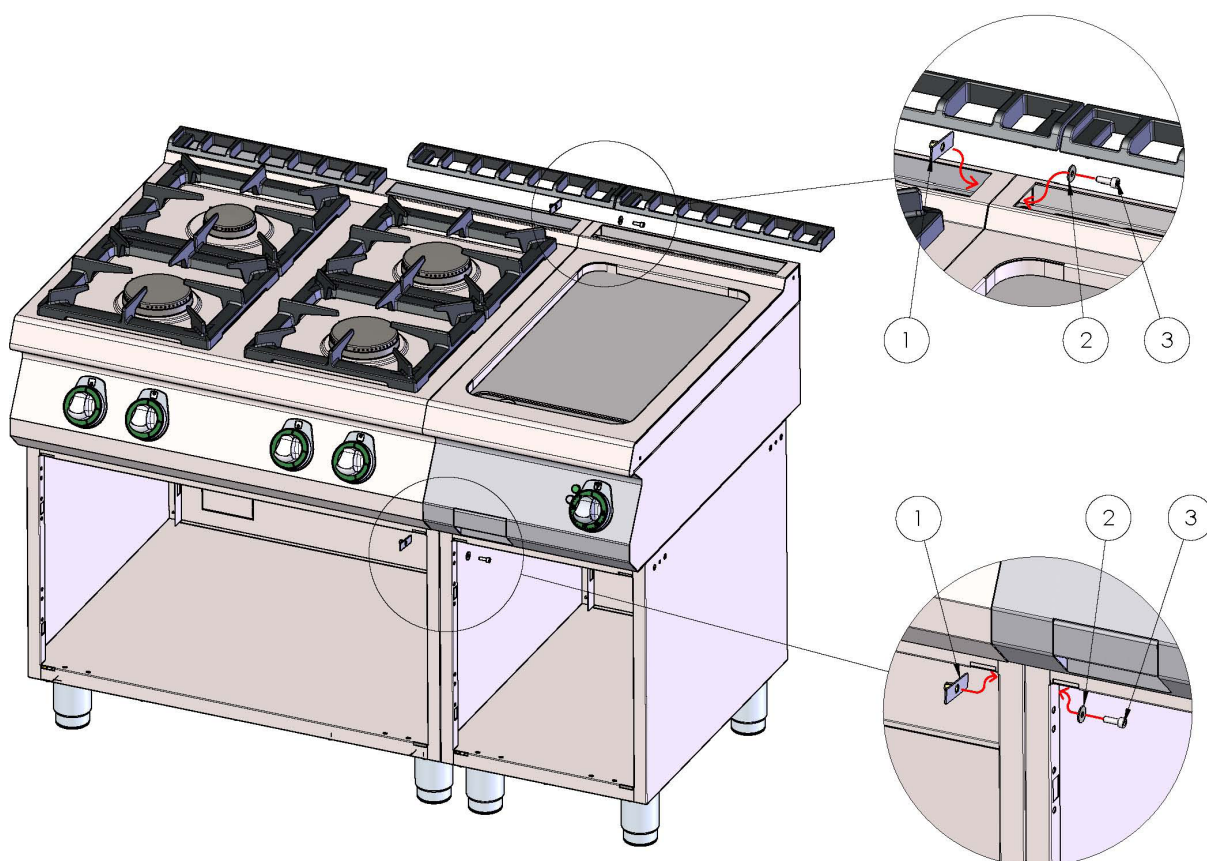
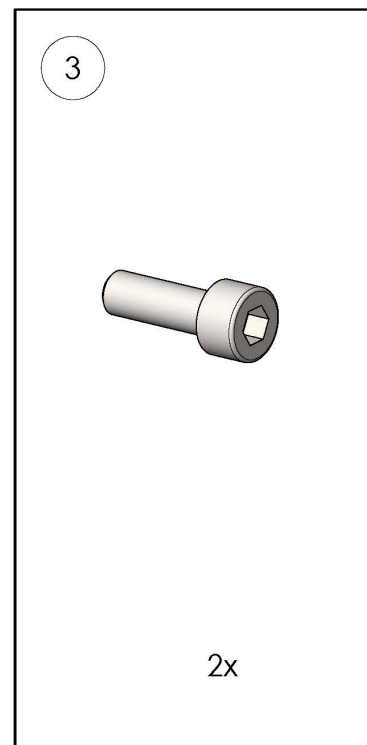
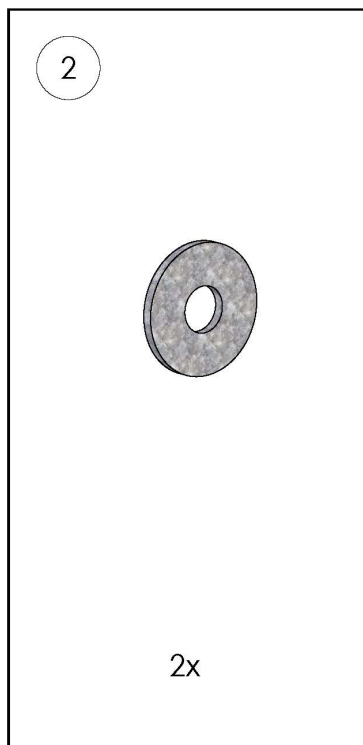
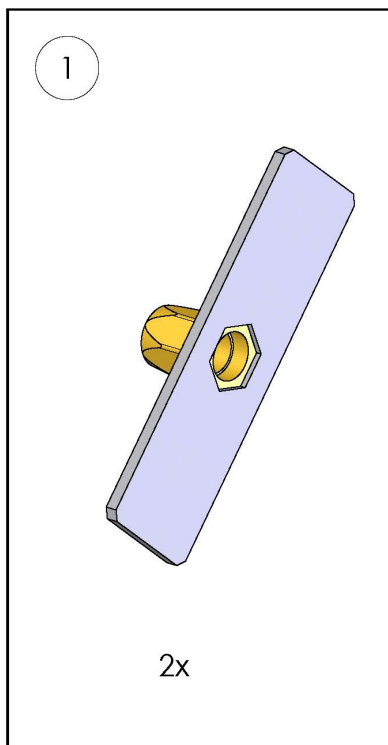
SP-70/012 G



SP-70/120 G



priključak modula



DECLARAȚIE DE CONFORMITATE CU NORMELE

Producătorul declară că aparatele sunt conforme cu normele 2009/142/ES, cu legea nr. 22/1997 sb., 22/2003 sb., 258/2000 sb., 38/2001 sb. și cu prevederile relevante ale Guvernului. Instalarea trebuie efectuată în conformitate cu normele actuale. Atenție, producătorul nu-și asumă răspundere în cazuri de defecțiuni directe sau indirecte, datorate instalării sau modificărilor incorecte, întreținerii necorespunzătoare, utilizării defectuoase, sau care sunt rezultatul altor cauze decât cele menționate în punctul despre condițiile vânzării. Acest aparat este destinat exclusiv spre utilizare specializată și trebuie deservit de către personal calificat. Piese, care au fost sigilate de către producător sau un lucrător împuternicit în acest sens nu pot fi remontate

DATE TEHNICE

Menționăm faptul că echipamentul cu caracteristicile tehnice descrise în prezentul manual nu se încadrează în categoria echipamentelor pentru uz casnic, echipamentul fiind destinat în exclusivitate uzului comercial, de către personal calificat.

Typ	Typ arzătorului	Putare (kW)	Dimensiuni (mm)
SPB - 70/04 G	(1x 6kW) + (1x 3,5)	9,5	400 x 720 x 330
SPB - 70/08 G	(3x 6kW) + (1x 3,5)	21,5	800 x 720 x 330
SPB - 70/012 G	(4x 6kW) + (2x 3,5)	31	1200 x 720 x 330
SPB - 70/40 G	(1x 6kW) + (1x 3,5)	9,5	400 x 720 x 908
SPB - 70/80 G	(3x 6kW) + (1x 3,5)	21,5	800 x 720 x 908
SPB - 70/120 G	(4x 6kW) + (2x 3,5)	31	1200 x 720 x 908

VERIFICAREA AMBALAJULUI ȘI APARATULUI

Aparatul iese din depozitele noastre ambalat în mod reglementar, cu indicarea simbolurilor și însemnelor corespunzătoare. Ghidul de deservire corespunzător se găsește în ambalaj. Dacă ambalajul prezintă semne de manevrare necorespunzătoare sau urme de deteriorare, este necesar de atenționat transportatorul și de a face un proces verbal de deteriorare.

Avertismente importante

-Produsul este destinat utilizării numai în interior.

Nu folosiți niciodată dispozitivul cu sursa sau fișa de alimentare deteriorate sau dacă nu funcționează corect, a căzut pe jos și s-a deteriorat sau dacă a căzut în apă. În astfel de cazuri duceți dispozitivul la un service specializat pentru a i se verifica siguranța și funcționarea corectă

- Acest ghid trebuie citit cu atenție pentru că conține informații importante despre securitate, instalare și utilizare
- Următoarele recomandări se aplică acestui produs
- Produsul este conform cu normele actuale
- Acest ghid trebuie păstrat pentru utilizarea ulterioară
- Împiedicați manipularea aparatului de către copii
- La vânzare sau relocare asigurați-vă că deservirea aparatului va fi efectuată în conformitate cu instrucțiunile din ghidul anexat
- Produsul poate fi deservit doar de către personalul instruit
- Poate fi utilizat doar pentru prepararea produselor alimentare
- Să nu fie lăsat fără supraveghere
- Se recomandă o inspectare specializată minim 1 data pe an
- În cazul unei reparații piesele trebuiesc înlocuite doar cu piese de schimb originale
- A nu se curăța produsul cu jet direct de apă sau apă sub presiune
- În caz de defectare sau disfuncție a aparatului se cere de a deconecta orice alimentare (apă, electricitate, gaz) și de apelat la un servis autorizat
- Producătorul nu-și asumă răspundere în cazul defecțiunilor datorate instalării incorecte, nerespectării avertismentelor susmenționate, utilizării în alte scopuri, etc.

INSTALAREA

Instrucțiuni tehnice pentru instalare și reglare

Destinat DOAR utilizării de către tehnicieni specializați.

Instrucțiunile următoare sunt destinate tehnicianului calificat pentru reparație: Toate operațiunile trebuie să fie efectuate cât mai atent și în conformitate cu normele actuale!!!

Important:

Orice activitate de reglare a aparatului trebuie efectuată după deconectarea acestuia de la rețeaua electrică. Dacă e nevoie de lăsat aparatul sub tensiune, se cere să fiți mai atenți!

AMPLASAREA

Pentru asigurarea funcționalității aparatului, spațiul (bucătăria) unde va fi amplasat acesta trebuie să fie bine aerisit (referitor la aceasta: tehnicianul să urmeze normele actuale ale ČSN)

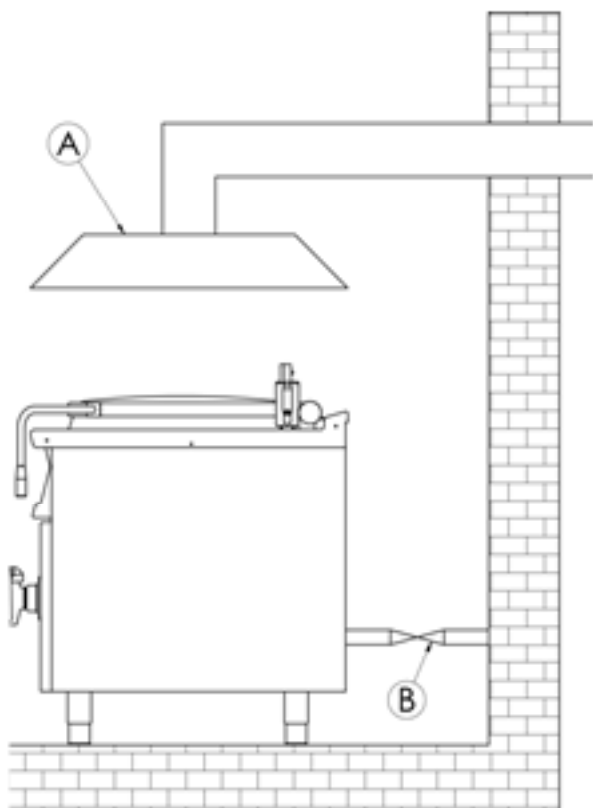
Dacă aparatul e instalat în așa fel încât are contact cu suprafața mobilierului, acestea trebuie să fie rezistente la temperaturi de 60°C. Instalarea, reglarea și darea în exploatare trebuie să fie efectuate de către o persoană calificată, care este autorizată în acest sens și în conformitate cu normele în vigoare.

Despachetați aparatul și verificați dacă nu a fost avariat în timpul transportării. Amplasați aparatul pe o suprafață orizontală (deviere maximă până la 2°). Amplasați aparatul sub hotă ca să fie eliminat mirosul și aburii.

Aparatul poate fi instalat separat sau în serie cu alte produse din gama noastră. Este necesar de a păstra o distanță minimă de 10cm de alte obiecte și de a evita contactul cu obiectele inflamabile. În astfel de cazuri se cere izolarea termică a pieselor inflamabile.

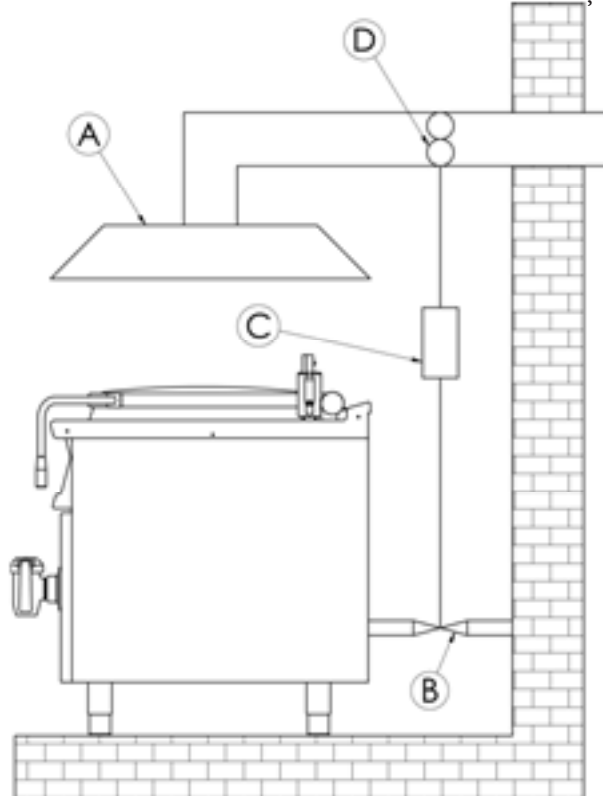
EVACUAREA GAZELOR DE ARDERE

DESFUMARE NATURALĂ



Racordul nișei este într-un corp de coș separat (A). Evacuarea gazelor de ardere este asigurată de tiraj natural al coșului.

DESFUMARE FORȚATĂ



Racordul nișei este prevăzut fără desfumare naturală. Evacuarea gazelor de ardere este asigurată cu ajutorul ventilatorului (D), (DESFUMARE FORȚATĂ). În acest caz este strict necesar a se asigura interconectarea cu admisiunea gazelor (B) pentru oprirea admisiunii gazelor în caz de întrerupere de alimentare.

CONTROLUL RANDAMENTULUI TERMIC

Consumatoare electrice trebuie să fie controlate pentru a se verifica randamentul lor termic:

Randamentul termic este însemnat pe plăcuța matricolă sau îl puteți regăsi în prezentul manual de instrucțiuni. Întâi de toate, trebuie verificat dacă consumătorul electric este fabricat pentru același tip de gaz care va fi utilizat și prin urmare corespunde cu marcajul de pe plăcuța privind tipul de gaz care va fi utilizat. Pentru transformarea cazanului pentru un alt tip de gaz, trebuie controlat dacă corespunde tipul de gaz marcat cu acela care este recomandat în acest manual.

Pentru transformarea cazanului pentru un alt tip de gaz, trebuie controlat dacă corespunde tipul de gaz marcat cu acela care este recomandat în acest manual. Presiunea se măsoară cu manometru de o necesară sensibilitate. Manometrul se conectează pe locul aferent, de aceea trebuie deșurubat șurubul cu închidere ermetică și conectat manometrul. După încheierea măsurării trebuie înșurubat șurubul înapoi și verificată etanșeitatea.

MĂSURI DE SECURITATE DIN PUNCT DE VEDERE AL PROTECȚIEI ÎMPOTRIVA INCENDIILOR CONFORM CSN EN 061008 ȚL. 21:

- Deservirea aparatului trebuie să fie asigurată de către persoane mature
 - Aparatul poate fi utilizat fără pericol în condiții obișnuite conform EN 332000-1
 - Aparatul trebuie amplasat în așa fel încât să fie fixat pe un suport neinflamabil
- Se interzice amplasarea obiectelor inflamabile pe aparat, precum și în apropierea acestuia la distanțe mai mici decât cele recomandate (distanța minimă recomandată este de 10cm)
- Distanțele sigure față de obiectele inflamabile și informațiile despre gradul de combustibilitate a materialelor de construcție sunt indicate în tabel

Tabel:

Gradul de combustibilitate a materialelor de construcție (EN 730823) după substanțe și produse

A neinflamabil	granit, var, beton, cărămidă, gresie ceramică, tencuiala
B greu inflamabile	placă fibrolemnoasă, fibre minerale
C1 dificil inflamabil	lemn, foioase, hârtie întărită, placaj
C2 mediu inflamabil	plăci aglomerate din aşchii de lemn, plăci din plută, cauciuc, pardoseala din PVC
C3 ușor inflamabil	plăci fibrolemnoase, polistiren, poliuretan, PVC

Aparatul trebuie instalat într-un mod sigur. În timpul instalării trebuie respectate prevederile de siguranță, proiectare și igienă în conformitate cu:

- EN 06 1008 securitatea de incendiu a dispozitivelor locale și surselor de căldură
- EN 33 2000 mediul înconjurător pentru aparate electrice (33 2000-4-42; 33 2000-4-482)

ȚEAVA PENTRU GAZ:

ȚEAVA PENTRU GAZ:

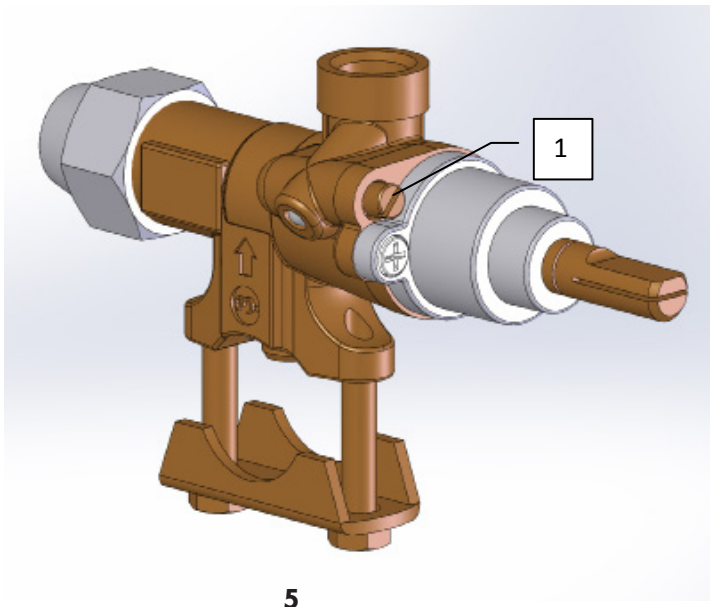
Aparatul poate fi alimentat cu gaz doar prin țeavă din oțel zincat, cupru sau țeavă flexibilă din oțel și în conformitate cu normele în vigoare. Fiecare aparat trebuie dotat cu un robinet pentru conducta de gaz, ca să fie posibilă oprirea imediată a alimentării cu gaz. După instalarea dispozitivului trebuie verificate eventualele scurgeri de gaze. Să nu verificați scurgerile cu o sursă deschisă de foc, folosiți materiale ce nu generează coroziune. Puteți folosi, de exemplu, o soluție de apă cu săpun. Aparatele au fost verificate de către producător, detalii despre tipul gazului, presiune și tipul aparatului le veți găsi pe plăcuța cu caracteristici.

Racordare la gaz lichid:

Presiunea pentru racordarea la sursă de gaz lichid trebuie să fie de 28 sau 30 mbar pentru propan butan și de 37 mbar pentru propan. Trebuie verificată plăcuța matricolă, măsurată presiunea și controlați parametrii duzei instalate cu parametrii duzei solicitați conform cerințelor fabricantului. Dacă presiunea este mai mică decât 25 mbar sau mai mare decât 37 mbar, CONSUMĂTORUL NU POATE FI RACORDAT

Racordare la gaz metan:

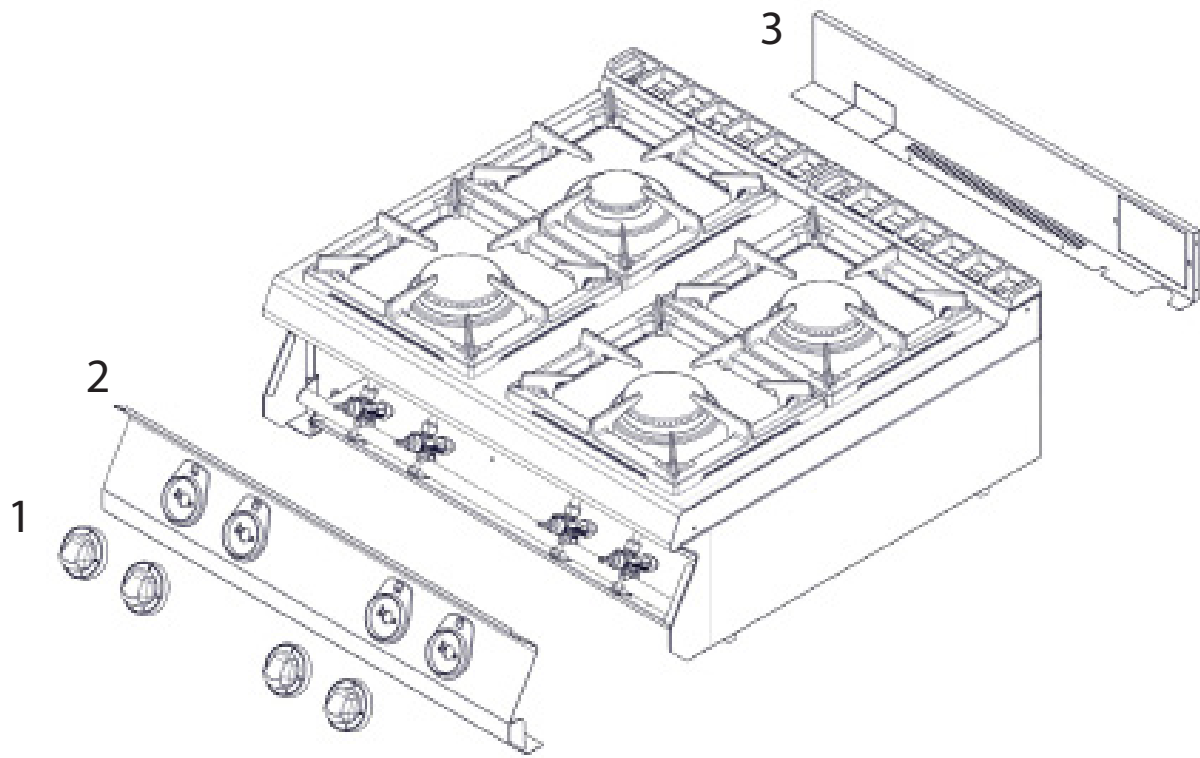
Presiunea pentru racordarea la sursă de metan trebuie să fie de 18 sau 20 mbar. Trebuie controlată plăcuța matricolă măsurată presiune și controlați parametrii duzei instalate cu parametrii solicitați ai duzei conform cerințelor fabricantului/ Dacă presiunea este mai mică decât 15 mbar sau mai mare decât 22,5 mbar CONSUMĂTORUL NU POATE FI RACORDAT



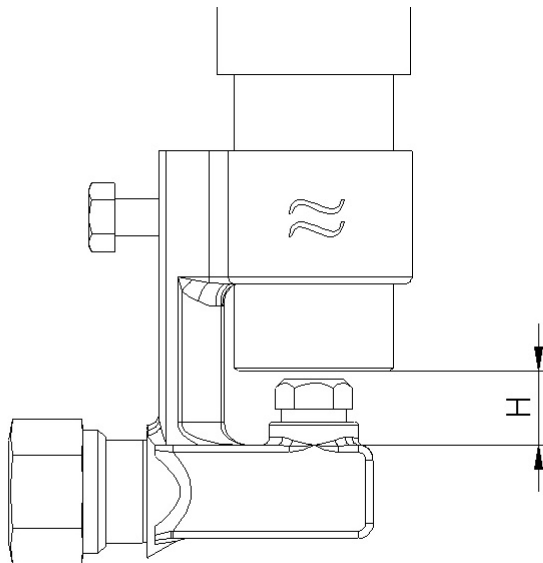
5

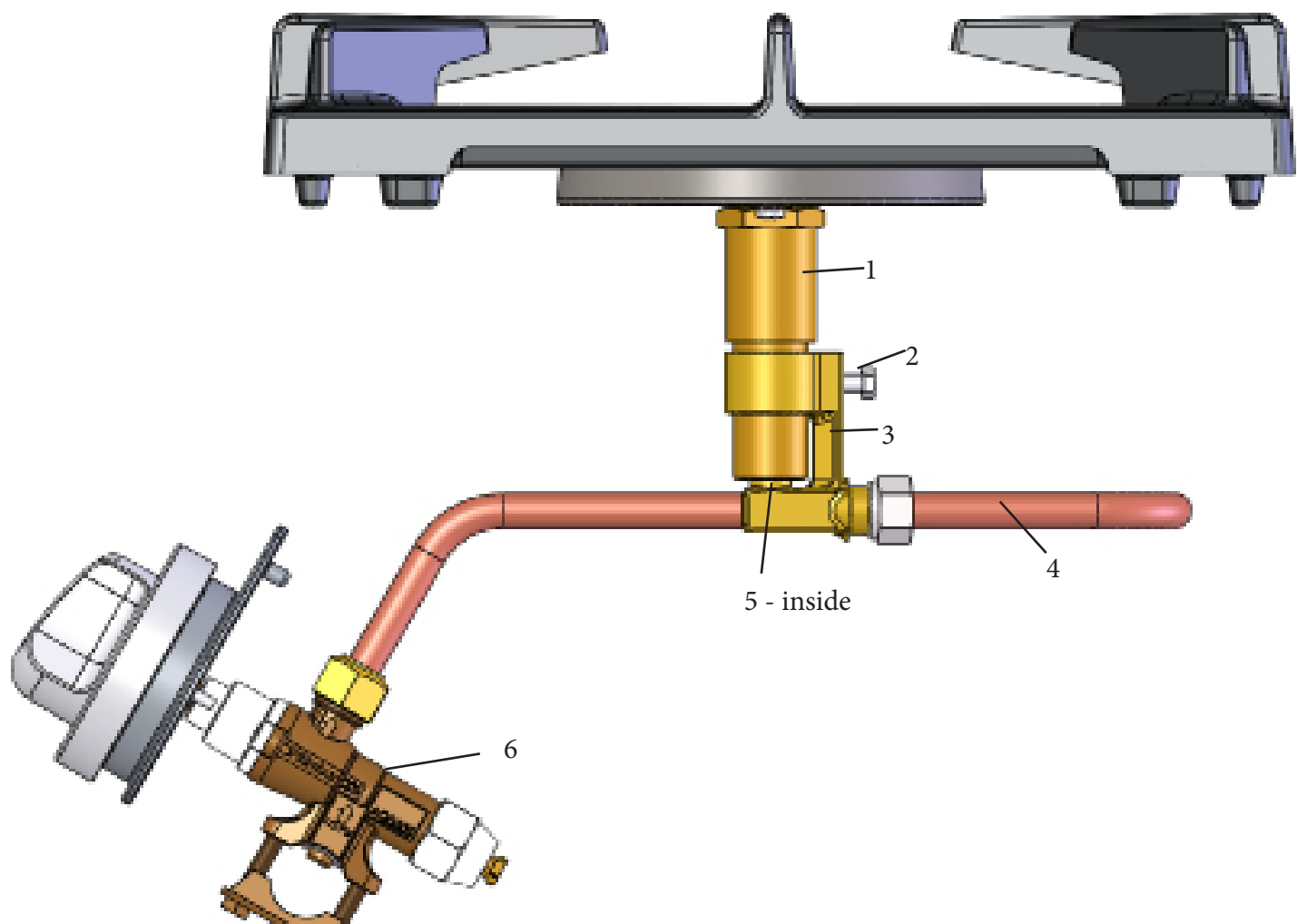


obr. 1



obr. 4





Lista de obiecte:

- 1- conducta arzătorului
- 2- Șurub cu marca IMBUS M5x16
- 3- Suportul duzei
- 4- Țeavă de alimentare - cupru
- 5- Duza arzătorului
- 6- Cocos cu gaz

Procedura de înlocuire a duzei:

- 1) Slăbiți șurubul M5x16 marca IMBUS (poziția 2)
- 2) Mutați suportul duzei (poziția 3) în jos
- 3) Folosiți cheia pentru a deșuruba duza (poziția 5) și înlocuiți-o cu dimensiunea dorită
- 4) Mutați suportul duzei în sus la distanța H
- 5) Strângeți șurubul mărcii M5x16 IMBUS

Distanța H este dimensiunea nominală în mm între suportul duzei și conducta arzătorului (poziția 1). Valorile sunt verificate de către institutul de testare

aprinderea arzătorului și reglarea performanței:

Rotiți butonul de reglare al arzătorului competent (A) în poziția „aprinderea arzătorului principal” și apoi apăsați-l și țineți-l în jos. Aprindeți arzătorul cu bricheta sau chibrituri. După aprinderea arzătorului, țineți butonul (A) apăsat câteva secunde până când termofuza se încălzește. Apoi eliberați butonul. Dacă flacăra se stinge, repetați întregul proces încă o dată.

Spor de performanță mai mică:

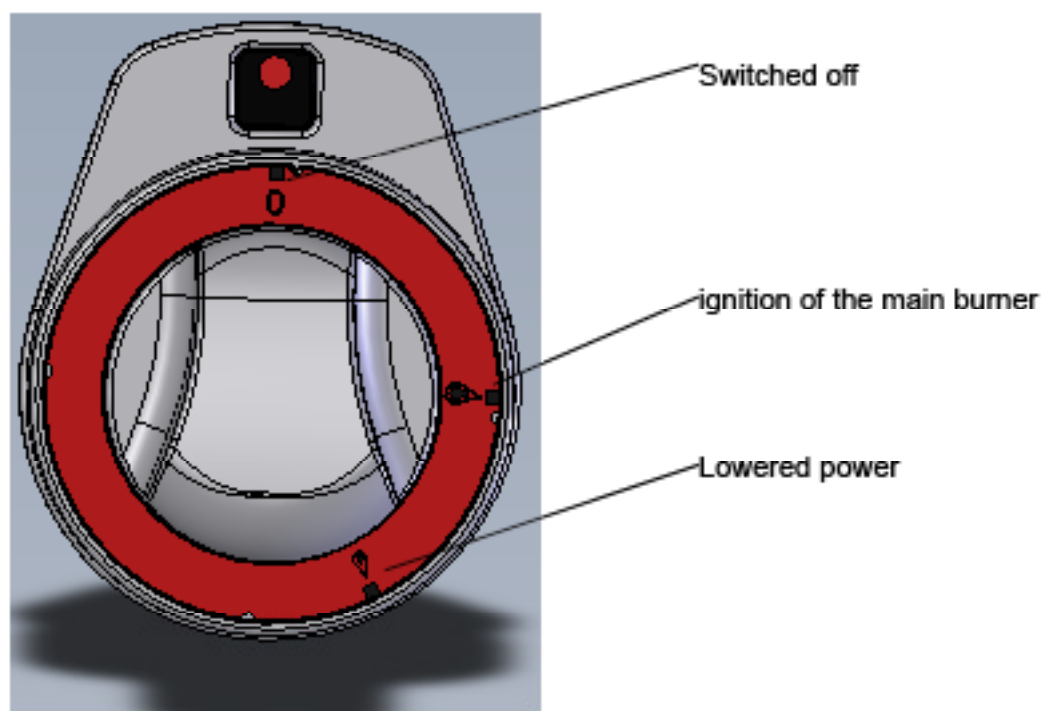
Rotind butonul (A) în poziția „sporo” setați arderea arzătorului pentru spor (performanță mai mică)

Cum opriți arzătorul:

Rotiți butonul (A) în poziția „0”.

Instrucțiuni pentru aspirarea produselor de ardere a gazelor:

Dispozitive de tip A (vezi eticheta cu caracteristici). Aparatul finisajului A, respectiv aparatul care nu este conceput pentru a fi conectat cu coșul de fum sau alt dispozitiv pentru aspirarea produselor de ardere din spațiul în care este amplasat aparatul. Aceste aparate trebuie să fie amplasate în cameră, cu ventilație suficientă conform ČSN 12 7010: 1986 și ČSN 1207040: 1986. Este necesar să se prevină acumularea de probleme nefavorabile în concentrații mari (asigurați-vă solicitarea unui standard igienic pentru lucrările din jurul s. 39/78 orientarea 46).



CURĂȚARE ȘI ÎNTREȚINERE

Este recomandat de a inspecta aparatul, cel puțin o dată pe an, de către un servis specializat. Orice intervenții asupra aparatului pot fi operate doar de către o persoană calificată, autorizată în acest sens.

ATENȚIE!!!

Este interzisă curățarea aparatului sub jetul de apă sau apă sub presiune. Curățați aparatul zilnic. Întreținerea zilnică prelungește eficiența și funcționalitatea aparatului. Înainte de a curăța aparatul, asigurați-vă că acesta este deconectat de la rețeaua electrică. Întotdeauna să opriți alimentarea principală a aparatului. Părțile de inox curățați-le cu o cârpă umedă cu soluție de săpun și fără particule tari, iar uscați-le prin ștergere. Nu folosiți soluții de curățat abrazive sau corozive. Înlăturați toate resturile de mâncare de pe suprafața de lucru, posibil și cu ajutorul unui șpaclu.

Suprafața interioară a tigăii curățăm cu șterăptor din plastic sau cu burete și detergenți curenți (a nu se utiliza obiecte metalice). Stratul subțire de culoare mai închisă de pe fundul tigăii nu îndepărtați fără rost, căci formează un strat de protecție a suprafeței. După spălarea, fundul tigăii din nou îngrijiiți cu ulei de masă. După curățarea cuvei, repuneți toate în poziția inițială. Capacul lăsați deschis, încât aerul să poată circula în vasul

-Dacă aparatul nu va fi folosit pentru o perioadă lungă de timp:

-Neapărat închideți admisiunea apei și a gazelor

-Dacă aparatul nu va fi folosit pentru o perioadă lungă de timp, curățați cuva și conservați baza cu ulei

Procedeu în caz de disfuncție a aparatului

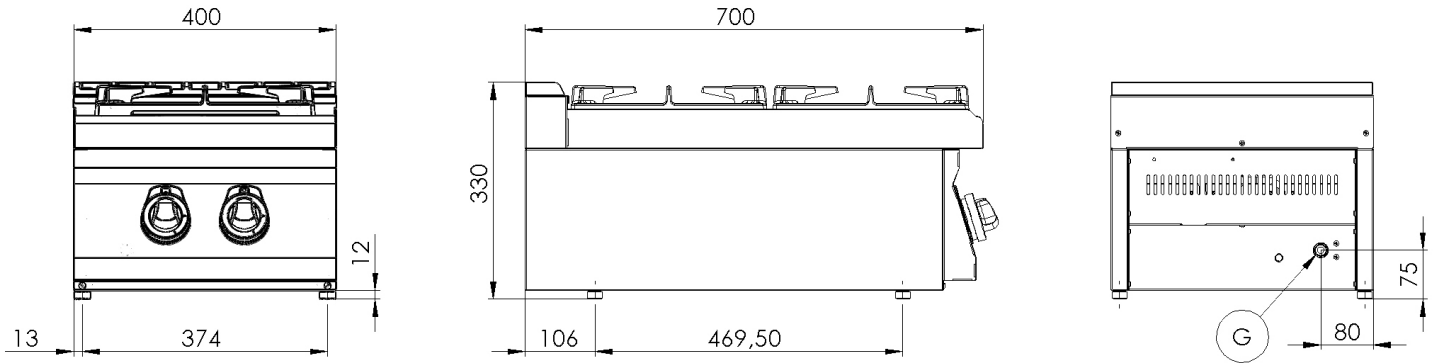
Opriți alimentarea cu electricitate și apelați servisul vânzătorului.

ATENȚIONARE

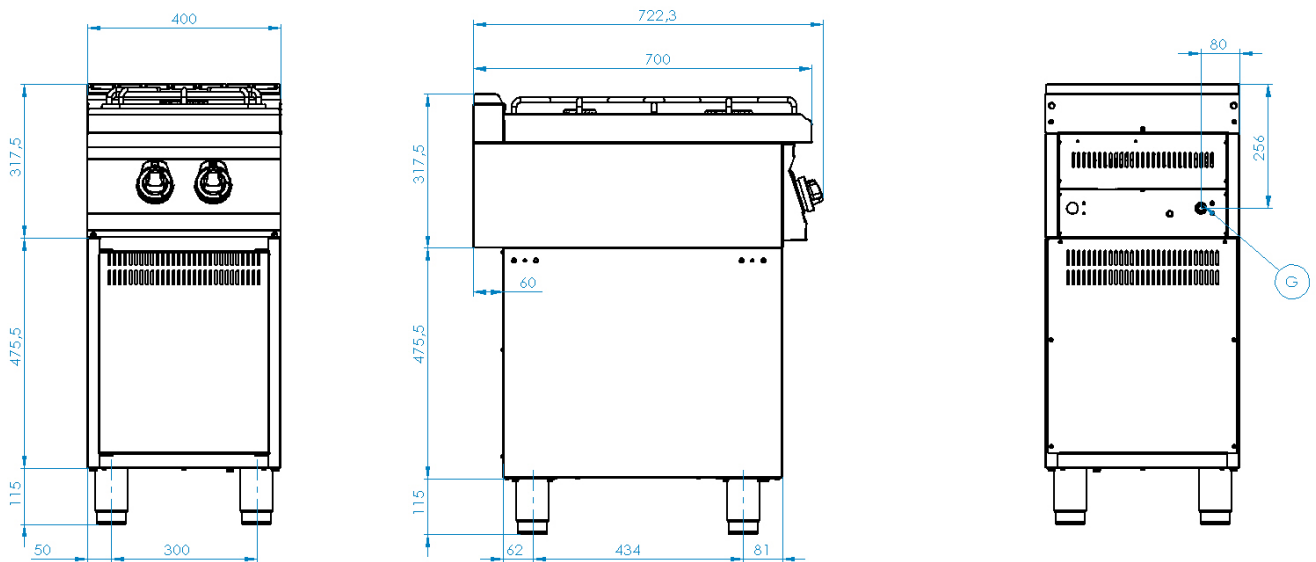
Garanția nu acoperă piesele consumabile care se uzează prin utilizare (garniturile din cauciuc, becurile, părțile din plastic și sticle, etc.). De asemeni garanția nu se aplică aparatelor a căror instalare a fost efectuată contrar normelor (de către o persoană autorizată conform normelor în vigoare) și nici în cazul manipulării defectuoase (intervenții în interiorul aparatului etc.) sau dacă a fost deservit de către personal neinstruit și contrar ghidului de utilizare. Garanția nu se aplica defectelor datorate efectelor naturii sau forței majore.

DIMENSIONALĂ ȘCHIȚĂ

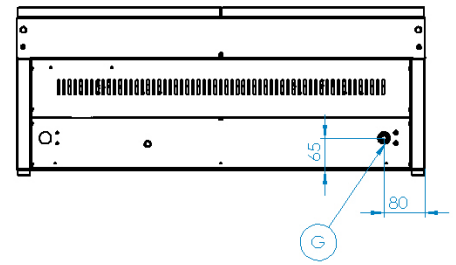
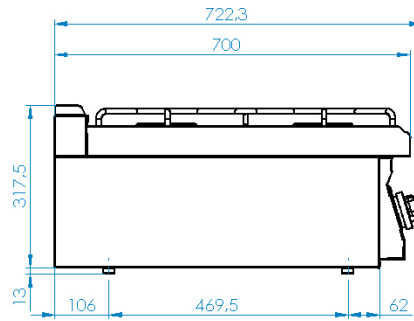
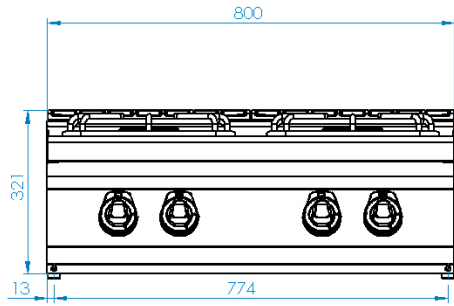
SPB 70/04 G



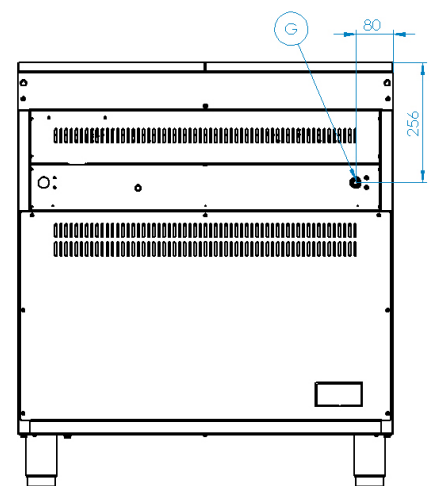
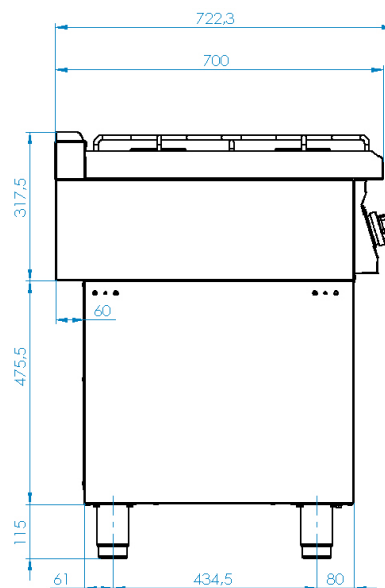
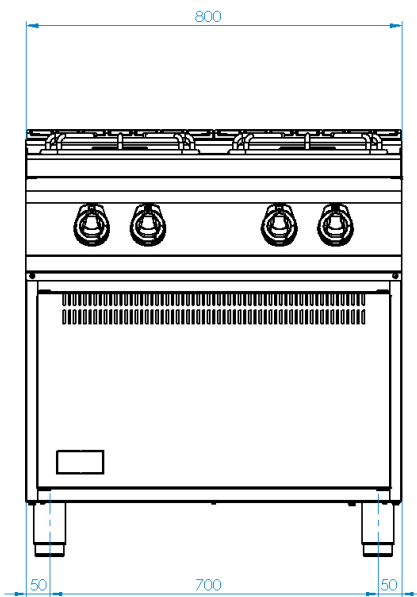
SPB 70/40 G



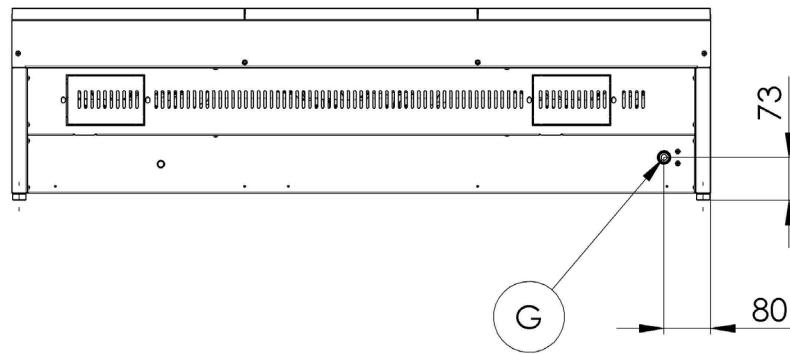
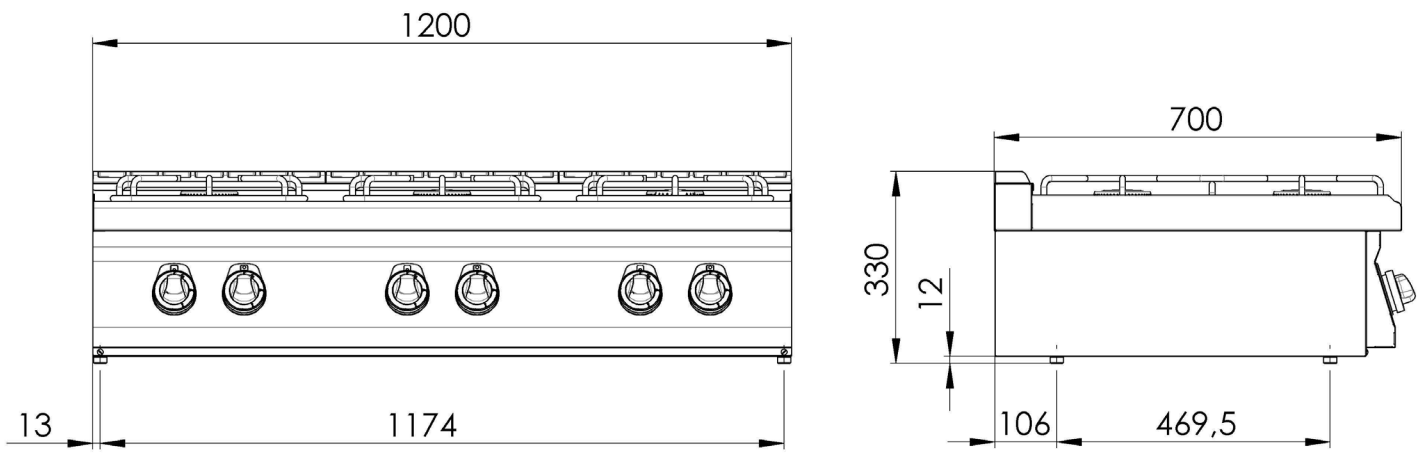
SPB 70/08 G



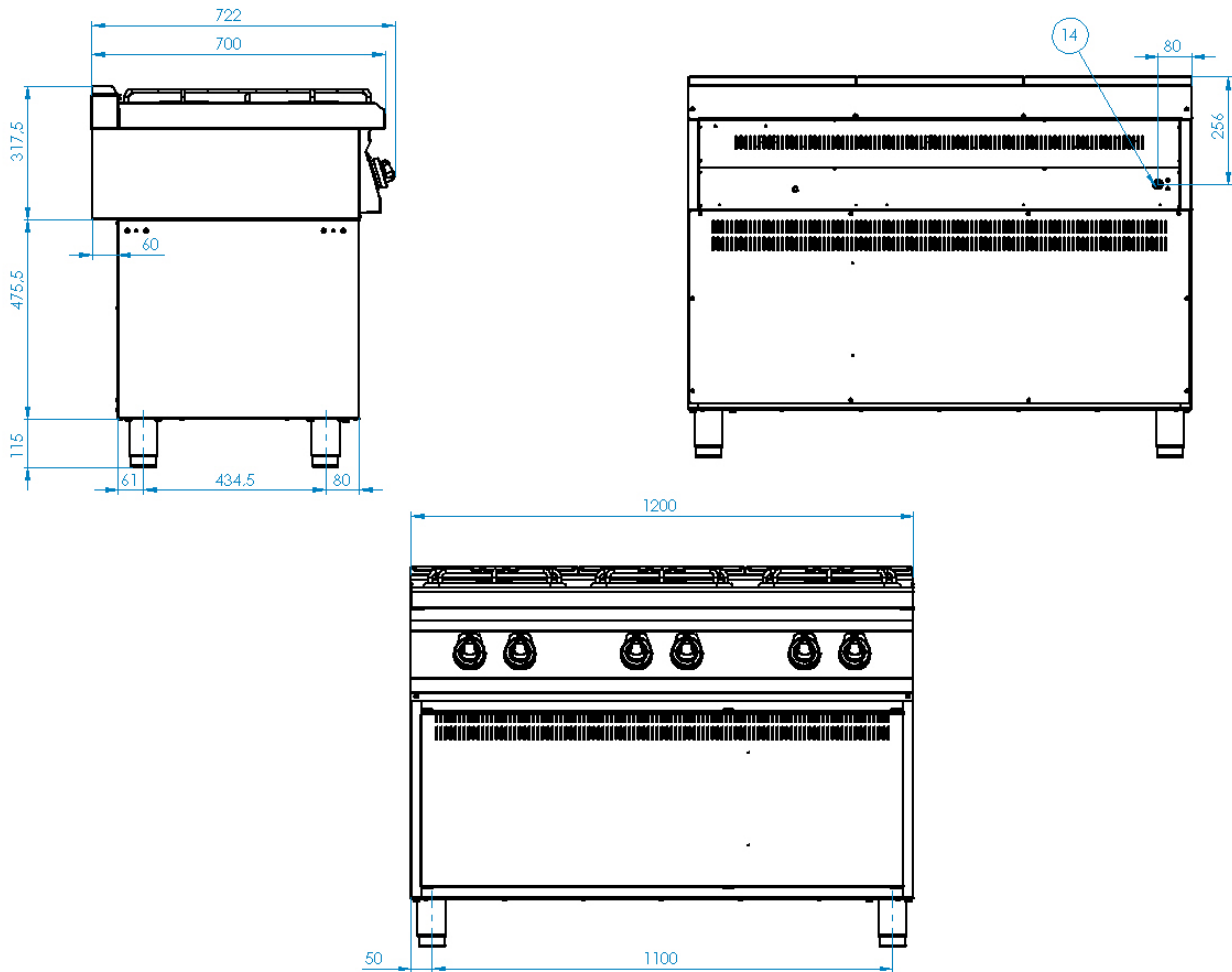
SPB 70/80 G



SPB 70/012 G



SPB 70/120 G



List of service organizations:

CZ: RM GASTRO CZ s. r. o., Náchodská 818/16, Praha 9

Tel. +420 281 926 604, info@rmgastro.cz, www.rmgastro.cz

SK: RM Gastro Slovakia, Rybárska 1, Nové Město nad Váhom

Tel.: +421 32 7717061, obchod@rmgastro.sk, www.rmgastro.sk

PL: RM GASTRO Polska Sp. z o. o., ul. Skoczowska 94, 43-450 Ustroń

Tel.: +33 854 73 26, www.rmgastro.pl